

Limit Switch Box YT-850

Design features

- **Visual position indicator.** 360° viewing angle.
- **Multiple Output signals.** 8 contacts of terminal ports.
- **Universal Compatibility.** Suitable for any rotary motion actuator <IS05211>.
- **Easy configuration.** Simple adjustment of cam position.
- **Dual conduit entries.** Separate connections for power and signal cables.



YT-850



Item Type		YT-850M		YT-850P	
Switch Type		Mechanical Switch (2xSPDT)		Inductive Proximity Sensor	
		SS5GL (Omron)	SS10GL (Omron)	PSN17-5DNU (Autonics)	NJ2-V3-N (P&F)
Switch Rating	AC	250 V 3 A 125 V 5 A	250 V 10.1 A 125 V 10.1 A	-	-
	DC	250 V 0.2 A, 125 V 0.4 A, 30 V 4 A, 14 V 5 A, 8V 5A		12 - 24 V DC	8 V DC
Ingress Protection		IP67			
Operating Temp.		-20 - 80 °C (Standard)			
Conduit Entry		NPT1/2, G1/2, M20			
Terminal		8 Points			
Mounting Bracket		NAMUR VDI / VDE 3845, ISO 5211			
Material		Aluminium Diecasting			
Weight		880 g (1.94 lb)			

Product Code

YT-850 - M - 1 - 0

Model

YT-850 = Weatherproof Aluminum

Switching Type

M = Mechanical Switch (2xSPDT)
P = Proximity Type

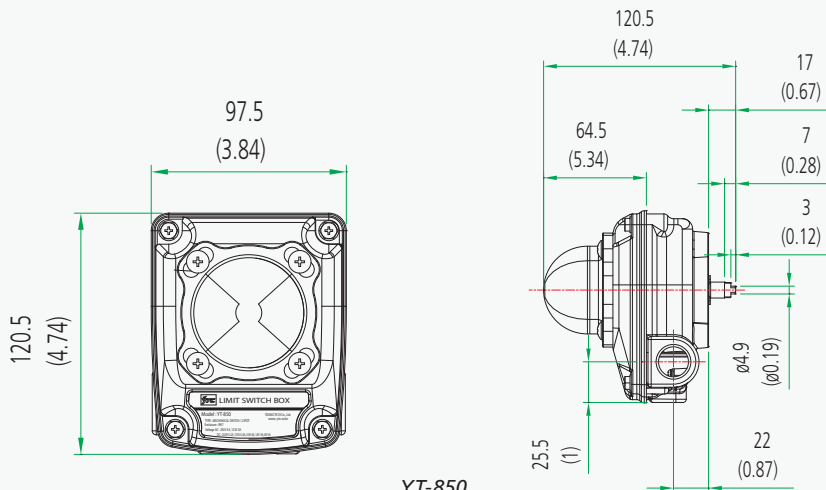
Conduit

1 = NPT 1/2
3 = G 1/4
4 = M20

Bracket Type

0 = None
1 = ST-1 (30*80,H20)
2 = ST-2 (30*80,H30)
3 = ST-3 (30*130,H30)
4 = ST-4 (30*130,H50)

Dimensions: mm (Inches ")



YT-850