

Solenoid Valve YT-720

Design features

- **Balance spool type.** No require of backing spring.
- **AC and DC Power options.** Interchangeable AC and DC coils.
- **Manual override Options.** For maintenance or emergency operation.
- **Rotational Connection.** Coil assembly can be rotated.

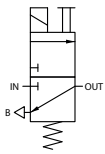


YT-720S (3-Way)

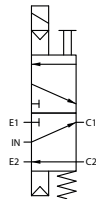
YT-720D (4-Way)



Symbol



YT-720S (3-Way)



YT-720D (4-Way)

Item Type	YT-720S	YT-720D
Max. Supply Pressure	0 - 0.4 MPa 0 - 0.7 MPa	0.1 - 1 MPa
Flow Capacity (Cv)	Output	0.2 (Φ3) at 0.4 MPa 0.084 (Φ1.6) at 0.7 MPa
	Exhaust	0.093
Rating Current	AC 220 V	60 mA (11 W)
	AC 110 V	130 mA (12 W)
	DC 24 V	580 mA (14 W)
Frequency	50 - 60 Hz	
Explosion Protection Type	KCs Ex d IIC T6	
Connection Type	PT (NPT) 1/4	
Conduit	G 1/2 (PF 1/2)	
Coil Insulation Grade	Class F	
Operating Temp.	Operating	-20 - 70 °C (-4 - 158 °F)
	Explosion	-20 - 50 °C (-4 - 122 °F)
Weight	0.8 kg (1.8 lb)	1.2 kg (2.6 lb)

Product Code

YT-720 - S - P - 1 - 1

Model

YT-720

Valve Type

S = 3-Way

D = 4-Way

Connection Type

P = PT

N = NPT

Power Source

1 = AC 110 V

2 = AC 220 V

3 = DC 24 V

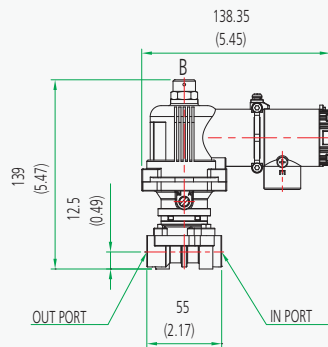
Pressure

1 = 0 - 0.4 MPa (3-Way)

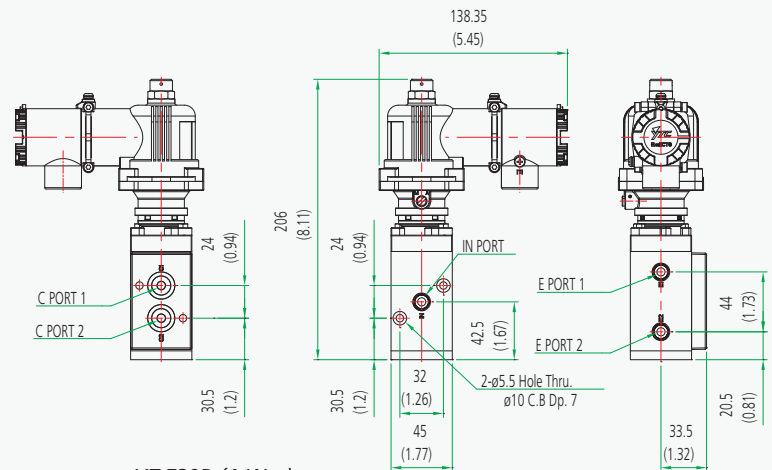
2 = 0 - 0.7 MPa (3-Way)

3 = 0 - 1.0 MPa (4-Way)

Dimensions: mm (Inches ")



YT-720S (3-Way)



YT-720D (4-Way)