

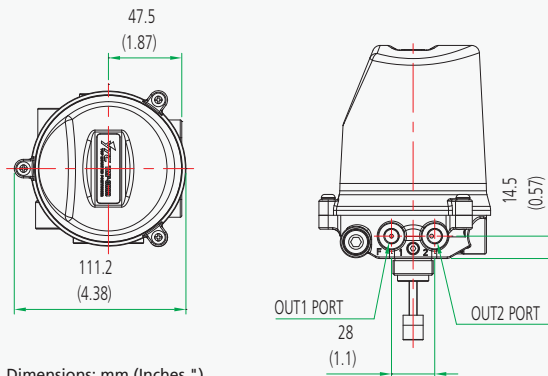
# Smart Positioner TMP-3000

## Solenoid Technology

### Design features

- **Vertical mounting.** Easy to mount installation.
- **Fail Freeze and Fail Safe function.** Enables the valve maintain the last position (Fail Freeze) or move to a pre-determined position (Fail Safe) on the loss of electrical power supply or the pneumatic supply air.
- **LCD display.** Backlit alphanumeric digital display for process values and calibration.

- **Feedback signal.** 4 to 20 mA output option.
- **Auto calibration.** Simple menu structure with options to auto calibrate all parameters or zero and end points only.
- **Low air consumption level.** Almost zero air leakage.
- **Front panel pushbuttons for configuration.** Positive acting pushbuttons for field configuration.



| Item Type              | TMP-3000   |
|------------------------|--|
| Power Supply           | 24 VDC ± 10%   |
| Input Signal           | 4 - 20 mA, 0 - 5 / 10V                               |
| Power Consumption      | < 4W   |
| Output                 | 4 - 20 mA  |
| Output Characteristics | Linear, EQ%, Quick Open, User Set (16 points)        |
| Operating Temp.        | -10 - 60 °C (14 - 140°F)                             |
| Supply Pressure        | 0 - 0.7 MPa (0-7 bar)                                |
| Air Consumption        | 0 LPM  |
| Flow Capacity          | 20 / 50 LPM  |
| Filtering Size         | 5 micron   |
| Acting Type            | Single 2 solenoid valves<br>Double 4 solenoid valves |
| Stroke                 | 5 - 40 mm  |
| Air Connection         | G1/8 (Ø6 mm tube)                                    |
| Conduit                | M16 x 1.5 (with screw terminals)                     |
| Ingress Protection     | IP67   |
| Body Material          | PPS  |
| Cover Material         | PC   |
| Weight                 | 820 g (1.8 lb)                                       |

### Product Code

**TMP-3000 - S - N - G - 1 - 0 - F**

**Model**  
TMP-3000 = Smart Positioner

**Acting Type**  
S = Single  
D = Double

**Explosion Protection**  
N = Non-Explosion

**Conduit & Air Connection**  
G = M16 x 1.5 - G1/8

**Flow Capacity**  
1 = 20 LPM  
2 = 50 LPM

**Output Options**  
0 = NONE  
1 = 4 - 20 mA feedback

**Fail Option**  
F = Fail Freeze  
S = Fail Safe