

REV.NO.	REVISION DESCRIPTION	DRAWN / DATE	REVIEWED / DATE	APPROVED / DATE
△1	First issued	HSS/20050624	KCH/20050624	LYH/20050624
△1	Drawing arrangement	HSS/20060621	JCS/20060621	LYH/20060621
△2	Drawing arrangement	KSH/20181001	KCH/20181001	KTJ/20181001
△3	Drawing arrangement	KSH/20191001	KCH/20191001	KTJ/20191001

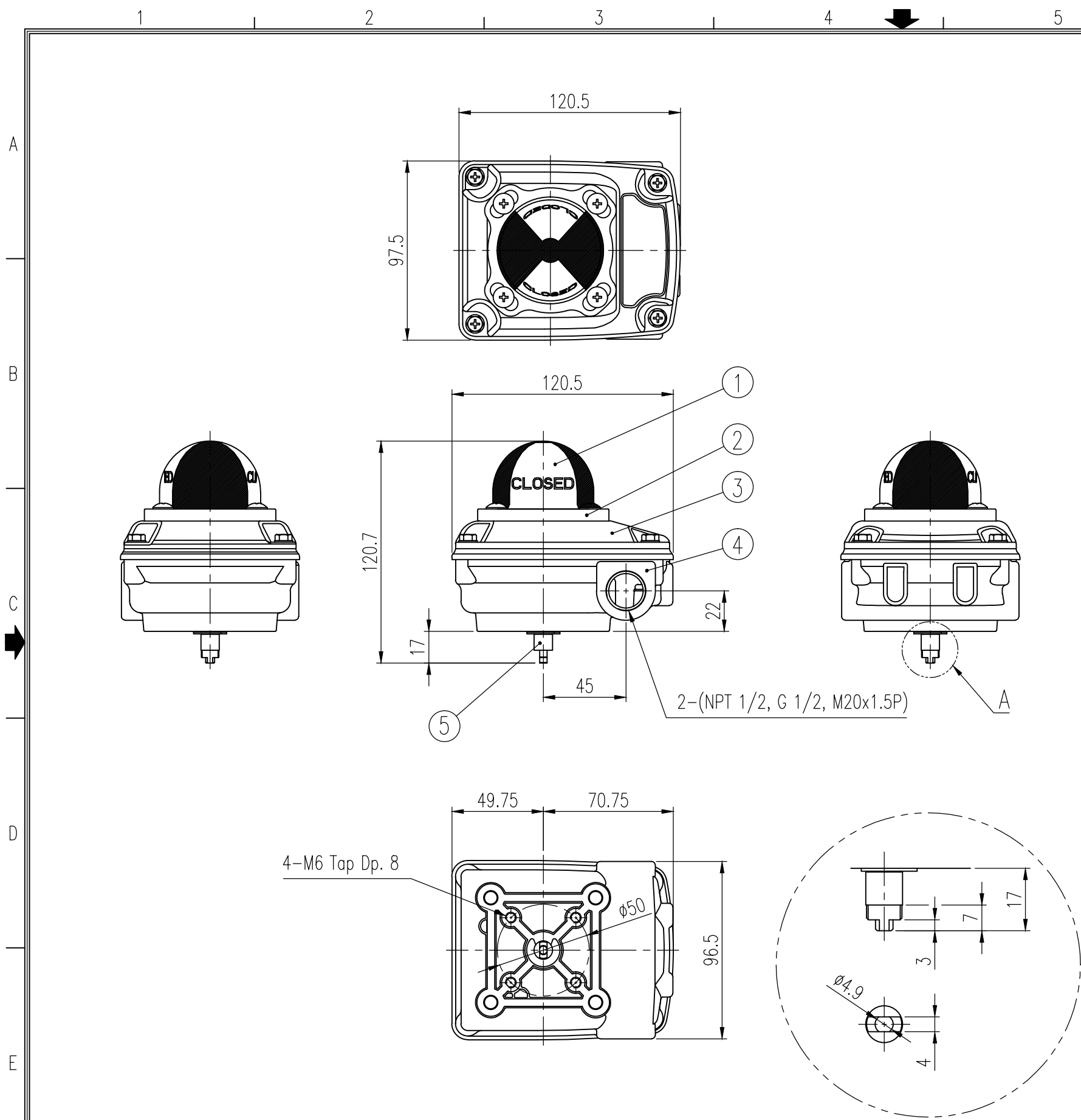
Specifications

Specification	<input type="checkbox"/> Standard	<input type="checkbox"/> Option
Enclosure Protection	IP67	
Mounting Bracket	NAMUR VDI / VDE 3845, ISO 5211	
Ambient Temp.	-25°C ~ 70°C (-13 ~ 158°F)	
Conduit Entry	<input type="checkbox"/> NPT 1/2	<input type="checkbox"/> G 1/2 <input type="checkbox"/> M20x1.5P
Switches	<input type="checkbox"/> Mechanical, 2 x SPDT	<input type="checkbox"/> Proximity sensor x 2
Terminal	8 Points	
External Coating	Polyester powder coating	
Weight	880g (1.94 lb)	
Material	Aluminum	

Switches

YT-850M (Mechanical Switch)		YT-850P (Proximity Sensor)	
Model	SS5GL (Omron)	Model	PS17-5DNU (Autonics, NPN type)
Type	2SPDT	Type	Inductive proximity sensor
Switch Rating	AC 250V 3A, 125V 5A	Switch Rating (using voltage rage)	12~24VDC
	DC 250V 0.2A, 125V 0.4A, 30V 4A, 14V 5A, 8V 5A		

No.	Part name	Material	Q'ty.	Remark
1	Indicator	ABS	1	
2	Indicator cover	PC(Poly Carbonate)	1	
3	Base cover	ALDC12	1	
4	Base body	ALDC12	1	
5	Main shaft	STS303	1	



SURFACE TEXTURE		PRODUCT NAME Limit switch box		PROJECT NAME	
FINISH TREATMENT		MODEL YT-850		rotork Rotork YTC Limited GMP0-SI, KOREA	
MATERIAL		PROJECTION 3rd	SCALE 1 / 2.5	TITLE Standard drawing	
OTHERWISE NOTE		GENERAL TOLERANCE	QUANTITY 1	DRAWING NO. YT-850-01	REV. 3