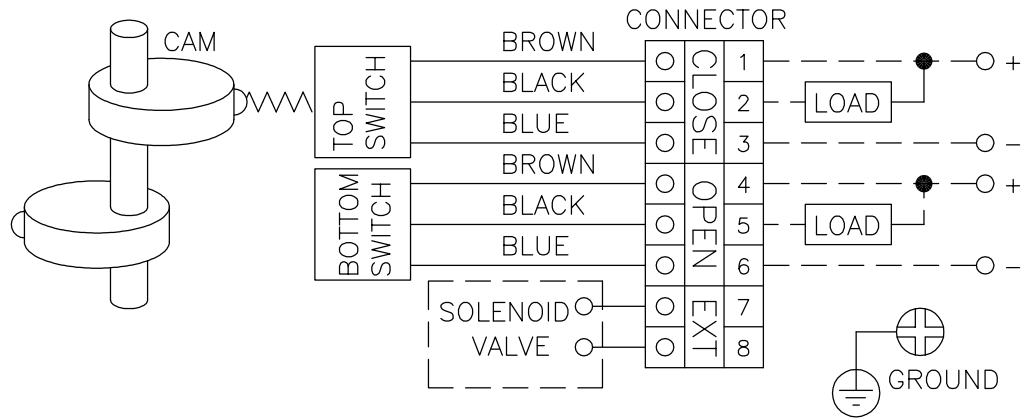
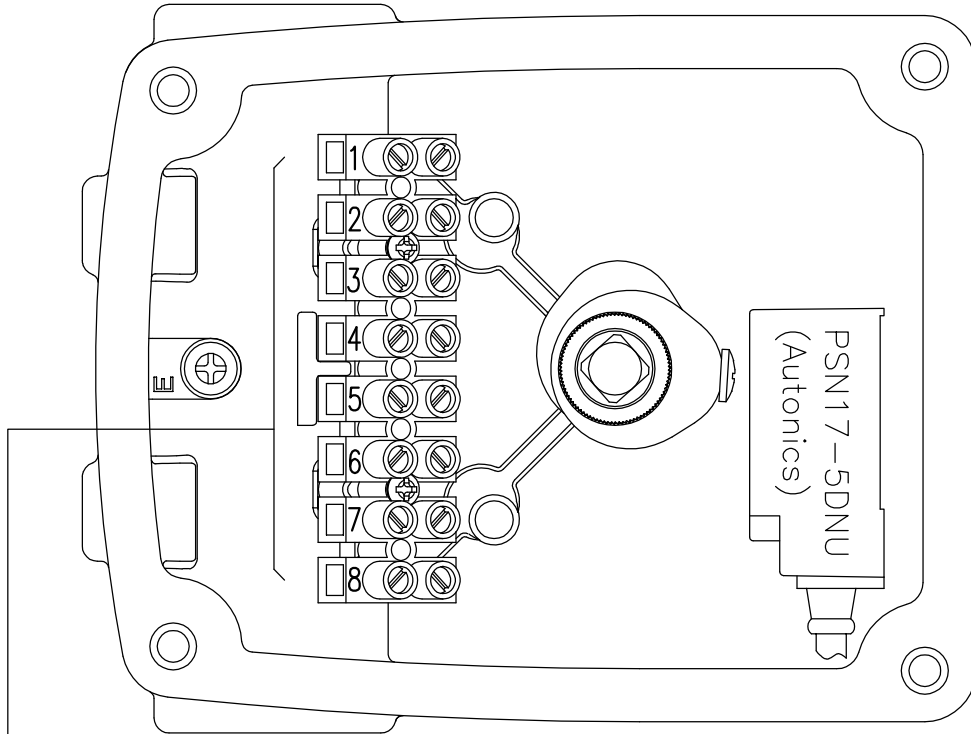


REV.NO.	REVISION DESCRIPTION	DRAWN / DATE	REVIEWED / DATE	APPROVED / DATE
△	FIRST ISSUED	JCS/20050713	KCH/20050713	LYH/20050713
△	DRAWING ARRANGEMENT	KSH/20190403	JJS/20190403	KTJ/20190403



NOTE

1. Switch rating : 12 ~ 24 VDC (Max. 200mA)

PROJECT NAME NPN Proximity Sensor

SURFACE TEXTURE		PRODUCT NAME LIMIT SWITCH BOX		rotork Rotork YTC Limited <small>CHUMPO-SI, KOREA</small>	
FINISH TREATMENT		MODEL YT-850			
MATERIAL		PROJECTION	SCALE	TITLE YT-850P WIRING DIAGRAM	
OTHERWISE NOTE	GENERAL TOLERANCE	QUANTITY	SHEET No.	DRAWING NO. 850-02	REV. 1

2019.01.23