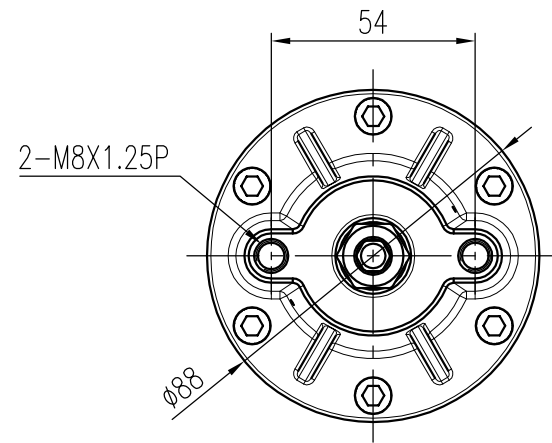


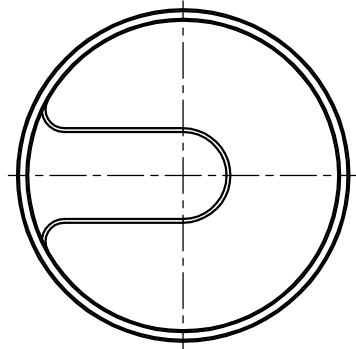
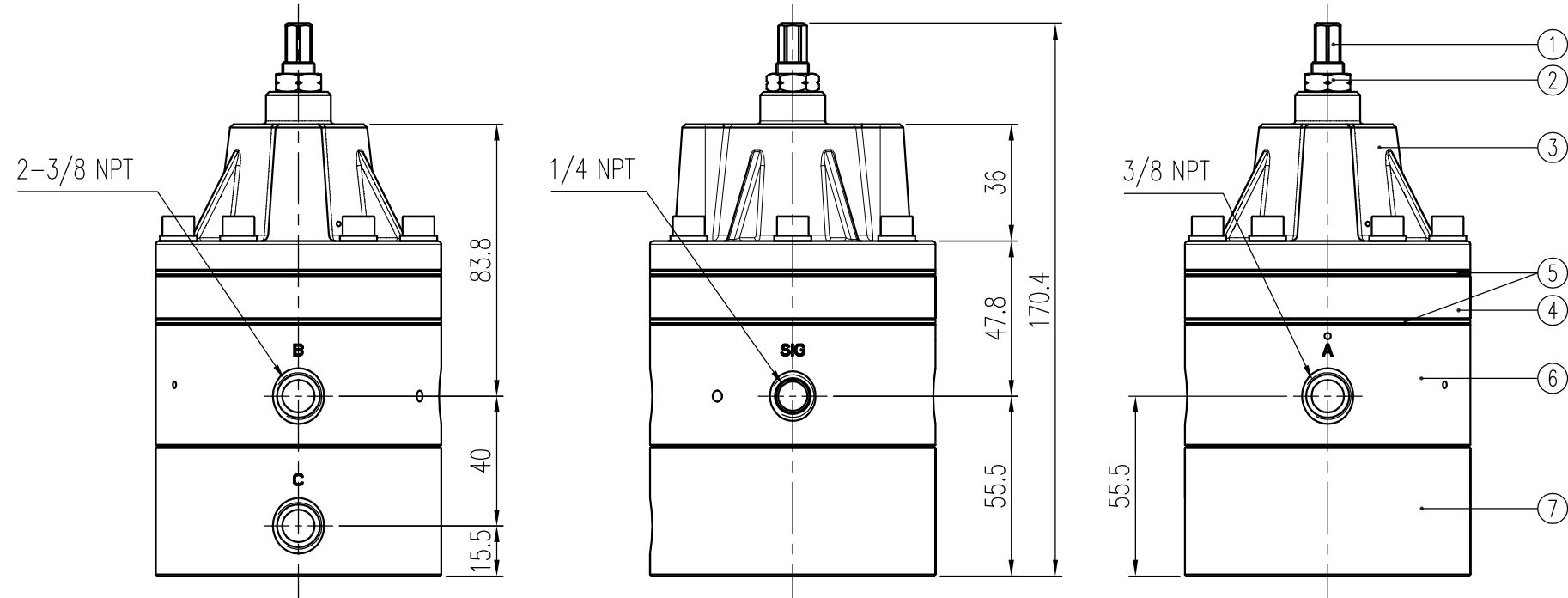
REV.NO.	REVISION DESCRIPTION	DRAWN / DATE	REVIEWED / DATE	APPROVED / DATE
△	최초 작성	OSS/20131219	MDK/20131219	LYH/20131219
△	DRAWING ARRANGEMENT	KSH/20190510	KCH/20190510	KTJ/20190510



SPECIFICATIONS

Item . Type	YT-535 Single Type	
Signal Pressure	0.14 ~ 0.7MPa (1.4 ~ 7bar)	
Max Supply Pressure	1MPa (10bar)	
Hysteresis	Below 0.01MPa (0.1 bar)	
Flow Capacity(Cv)	1.8	
Signal Connection	1/4 NPT	
A / B / C Connection	3/8 NPT	
Ambient Temp.	T6	<input type="checkbox"/> -40 ~ 70 °C (-40 ~ 158°F)
		<input type="checkbox"/> -20 ~ 70 °C (-4 ~ 158°F)
	T4	<input type="checkbox"/> -20 ~ 120 °C (-4 ~ 248°F)
Weight	3.3kg (7.3 lb)	

NO.	PART NAME	MATERIAL	Q'TY	REMARK
1	SHAFT ADJUST	STS316	1	
2	NUT (M10x1.0P)	STS316	1	
3	COVER BASE	STS316	1	
4	RING EXHAUST-1	STS316	1	
5	DIAPHRAGM	NBR	2	STANDARD
		SILICONE	2	LOW/HIGH TEMP.
6	BODY BASE-1	STS316	1	
7	BODY LOWER-1-S	STS316	1	



NOTE

1. That the difference between setting pressure and signal pressure is must over 0.1MPa.

SURFACE TEXTURE		PRODUCT NAME SNAP ACTING RELAY		PROJECT NAME	
FINISH TREATMENT		MODEL YT-535S		rotork® Rotork YTC Limited GMPO-SI, KOREA	
MATERIAL		PROJECTION 3rd	SCALE 1 / 2	TITLE SNAP ACTING RELAY ASS'Y DWG	
OTHERWISE NOTE	GENERAL TOLERANCE	QUANTITY 1	SHEET No. 1 / 1	DRAWING NO. YT-535 (SINGLE TYPE)	REV. 1