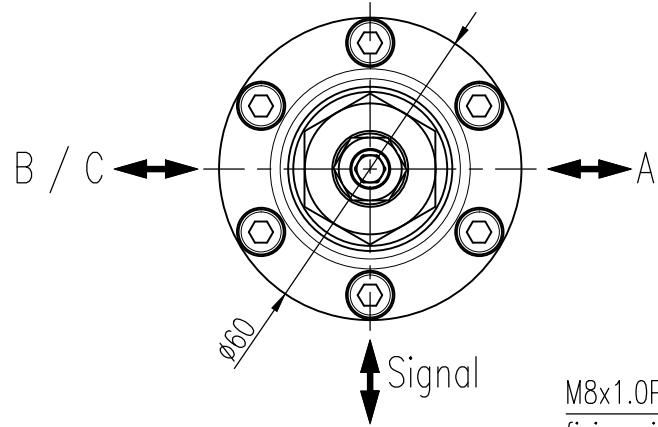
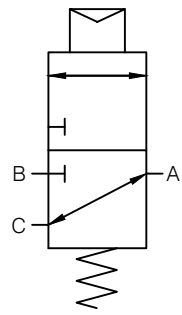
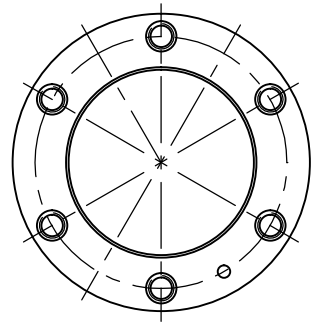
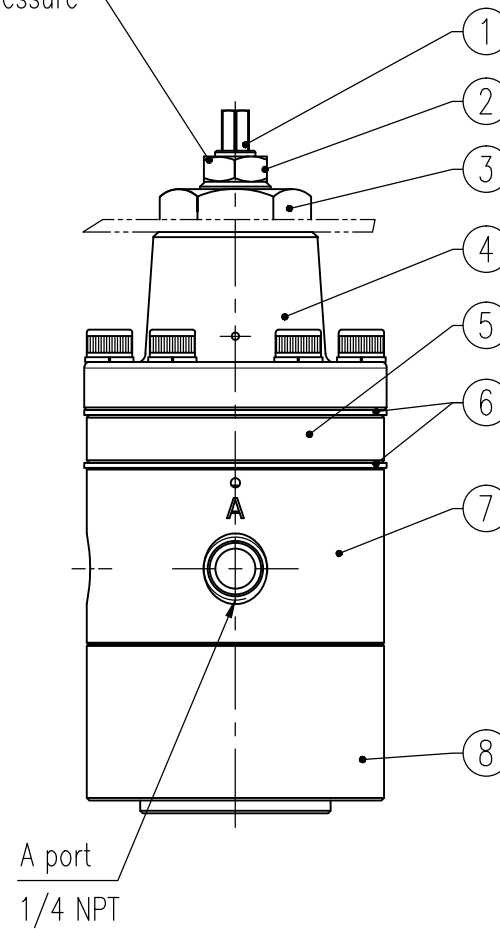
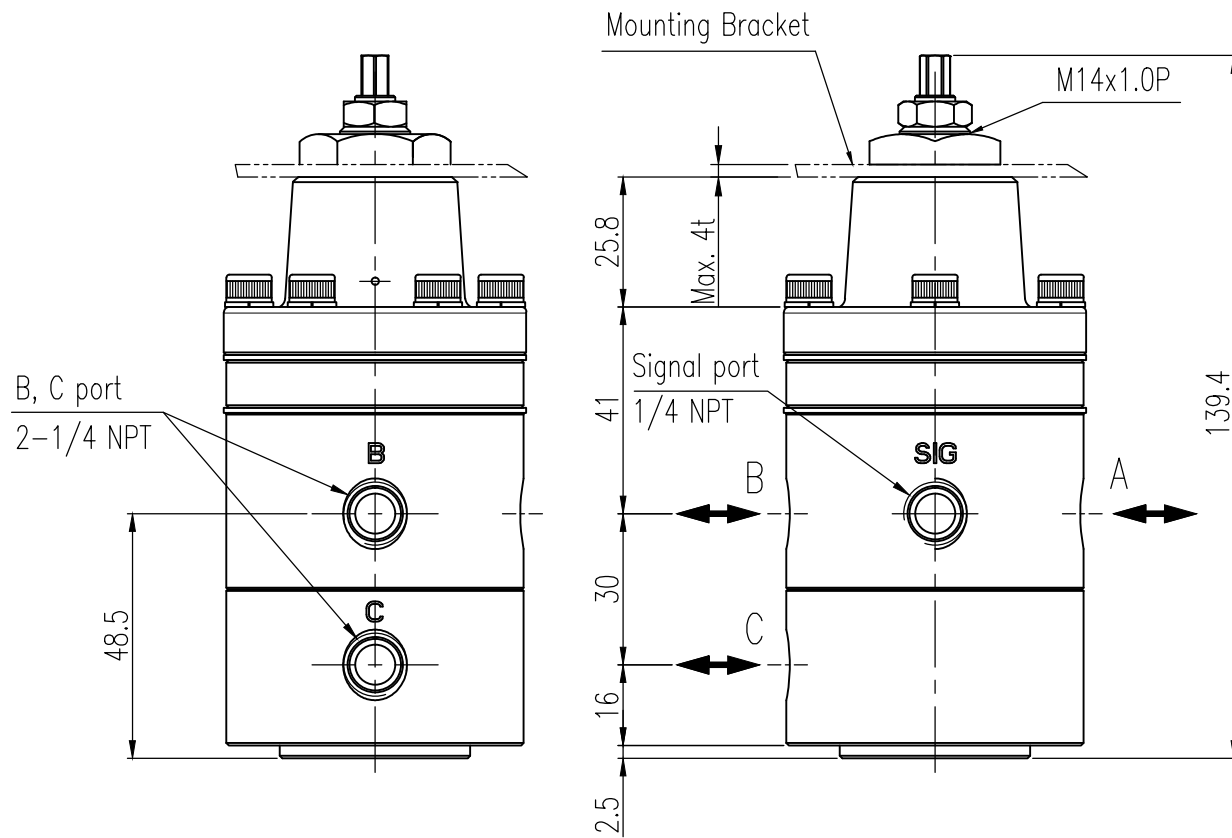


REV.NO.	REVISION DESCRIPTION	DRAWN / DATE	REVIEWED / DATE	APPROVED / DATE
△1	First issued	MDK/20110502		
△1	Drawing arrangement	KSH/20190510	KCH/20190510	KTJ/20190510
△1	Drawing arrangement	OSS/20190927	KCH/20190927	KTJ/20190927



M8x1.0P Nut for fixing signal pressure



Specifications

Item. type	YT-525 Single	
Max. supply pressure	Max. 1 MPa (10 bar)	
Signal pressure setting range	0.14 ~ 0.7 MPa (1.4 ~ 7 bar)	
Hysteresis	Below 0.01 MPa (0.1 bar)	
Flow capacity(Cv)	0.9	
Ambient temperature	Standard	□ -20 ~ 70 °C (-4 ~ 158 °F)
	High	□ -20 ~ 120 °C (-4 ~ 248 °F)
	Low	□ -40 ~ 70 °C (-40 ~ 158 °F)
	Arctic	□ -50 ~ 70 °C (-58 ~ 158 °F)
Air connection	1/4 NPT	
Housing material	Stainless steel 316	
Weight	1.7 kg (3.8 lb)	

No.	Part name	Material	Q'ty	Remark
1	Adjust shaft	STS316	1	
2	Nut (M8x1)	STS316	1	
3	Mounting nut (M14x1.0P)	STS316	1	
4	Base cover	STS316	1	
5	Exhaust ring	STS316	1	
6	Diaphragm	NBR	2	Standard
		Silicone	2	Low/High/Arctic temp.
7	Base body	STS316	1	
8	Lower body	STS316	1	

NOTE

1. Be sure that the difference between setting pressure and signal pressure is over 0.1 MPa.

SURFACE TEXTURE		PRODUCT NAME		PROJECT NAME	
-		Snap acting relay		-	
FINISH TREATMENT		MODEL		TITLE	
-		YT-525S		Single stainless steel type drawing	
MATERIAL		PROJECTION	SCALE	DRAWING NO.	
-		3rd	1 / 1.5	YT-525S-1	
OTHERWISE NOTE		GENERAL TOLERANCE	QUANTITY	SHEET No.	REV.
-		-	1	1 / 1	2