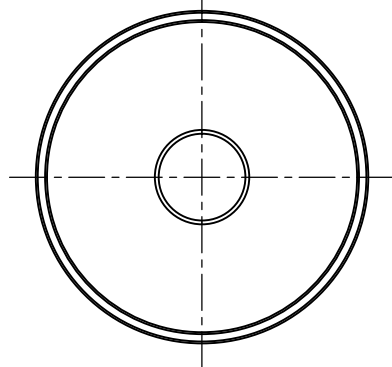
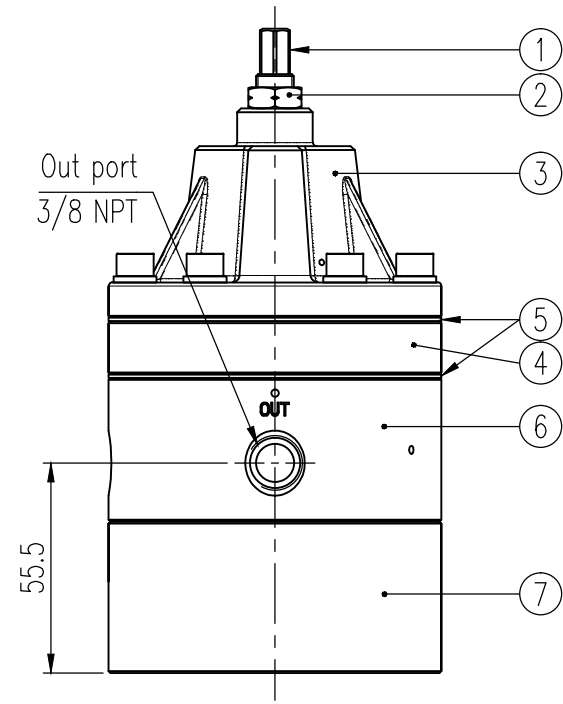
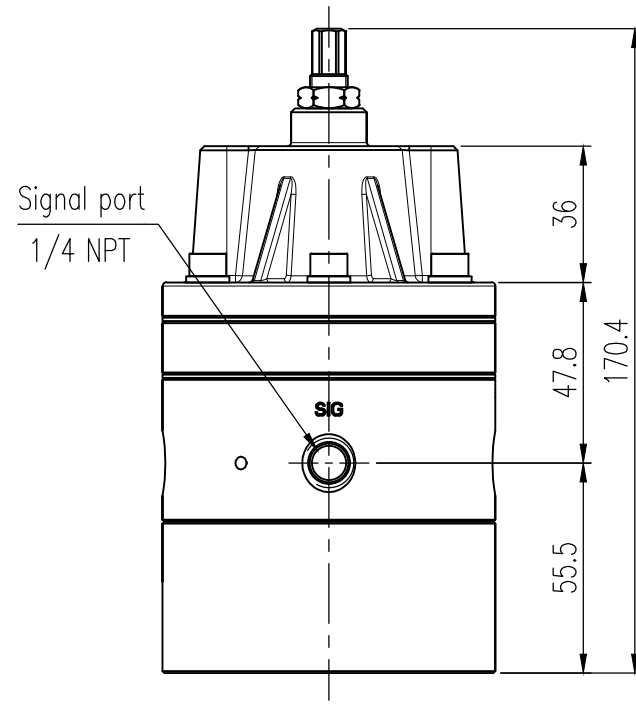
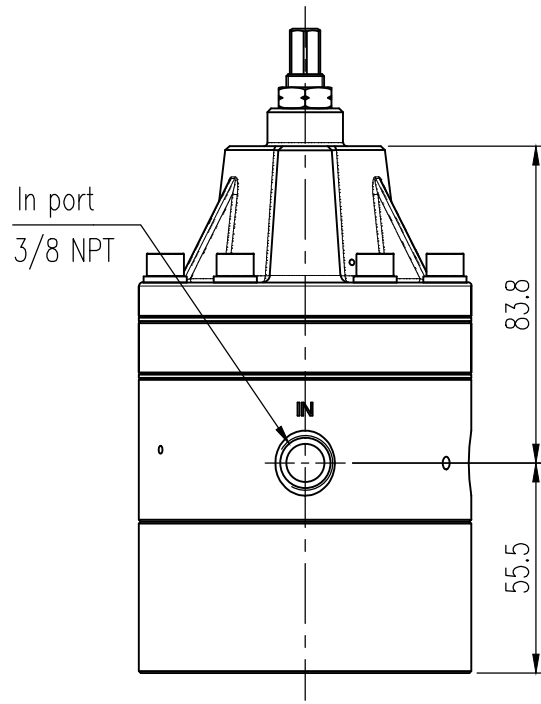
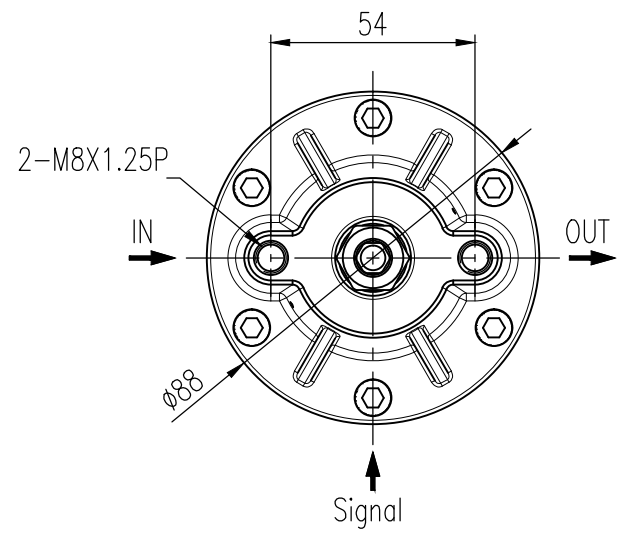
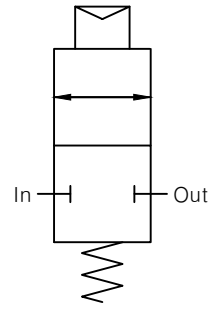


| REV.NO. | REVISION DESCRIPTION | DRAWN / DATE | REVIEWED / DATE | APPROVED / DATE |
|---------|----------------------|--------------|-----------------|-----------------|
| △       | First issued         | OSS/20131219 | MDK/20131219    | LYH/20131219    |
| △       | Drawing arrangement  | KSH/20190510 | KCH/20190510    | KTJ/20190510    |
| △       | Drawing arrangement  | OSS/20190926 | KCH/20190926    | KTJ/20190926    |



**Specifications**

|                               |                              |                              |
|-------------------------------|------------------------------|------------------------------|
| Item. type                    | YT-435 Single type           |                              |
| Max. supply pressure          | Max. 1 MPa (10 bar)          |                              |
| Signal pressure setting range | 0.14 ~ 0.7 MPa (1.4 ~ 7 bar) |                              |
| Hysteresis                    | Below 0.01 MPa (0.1 bar)     |                              |
| Flow capacity(Cv)             | 1.8                          |                              |
| Ambient temperature           | Standard                     | □ -20 ~ 70 °C (-4 ~ 158 °F)  |
|                               | High                         | □ -20 ~ 120 °C (-4 ~ 248 °F) |
|                               | Low                          | □ -40 ~ 70 °C (-40 ~ 158 °F) |
|                               | Arctic                       | □ -50 ~ 70 °C (-58 ~ 158 °F) |
| Input / Output connection     | 3/8 NPT                      |                              |
| Signal connection             | 1/4 NPT                      |                              |
| Housing material              | Stainless steel 316          |                              |
| Weight                        | 3.3 kg (7.3 lb)              |                              |

| No. | Part name      | Material | Q'ty | Remark                |
|-----|----------------|----------|------|-----------------------|
| 1   | Adjust shaft   | STS316   | 1    |                       |
| 2   | Nut (M10x1.0P) | STS316   | 1    |                       |
| 3   | Base cover     | STS316   | 1    |                       |
| 4   | Exhaust ring   | STS316   | 1    |                       |
| 5   | Diaphragm      | NBR      | 2    | Standard              |
|     |                | Silicone | 2    | Low/High/Arctic temp. |
| 6   | Base body-1    | STS316   | 1    |                       |
| 7   | Lower body-1-S | STS316   | 1    |                       |

**NOTE**

1. Be sure that the difference between setting pressure and signal pressure is over 0.1 MPa.

|                   |               |  |
|-------------------|---------------|--|
| SURFACE TEXTURE   | PRODUCT NAME  | <b>rotork</b> Rotork YTC Limited<br>GMP0-SI, KOREA |
| FINISH TREATMENT  | Lock up valve |  |
| MATERIAL          | MODEL         | TITLE  |
| OTHERWISE NOTE    | PROJECTION    | SCALE  |
| GENERAL TOLERANCE | 3rd           | 1 / 2  |
|                   | QUANTITY      | SHEET No.  |
|                   | 1             | 1 / 1  |
|                   |               | DRAWING NO.  |
|                   |               | YTC-435S-1   |
|                   |               | REV.   |
|                   |               | 2  |