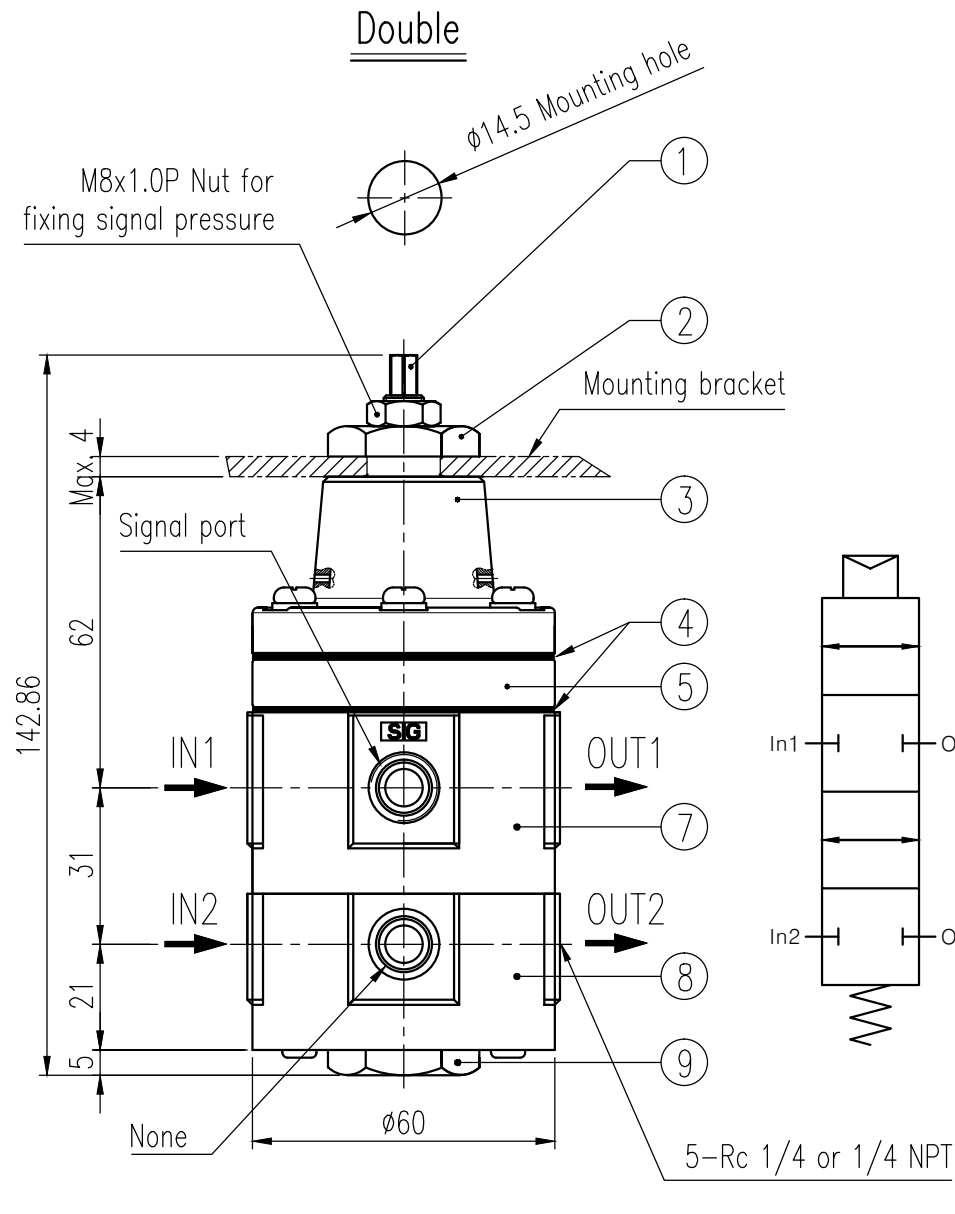
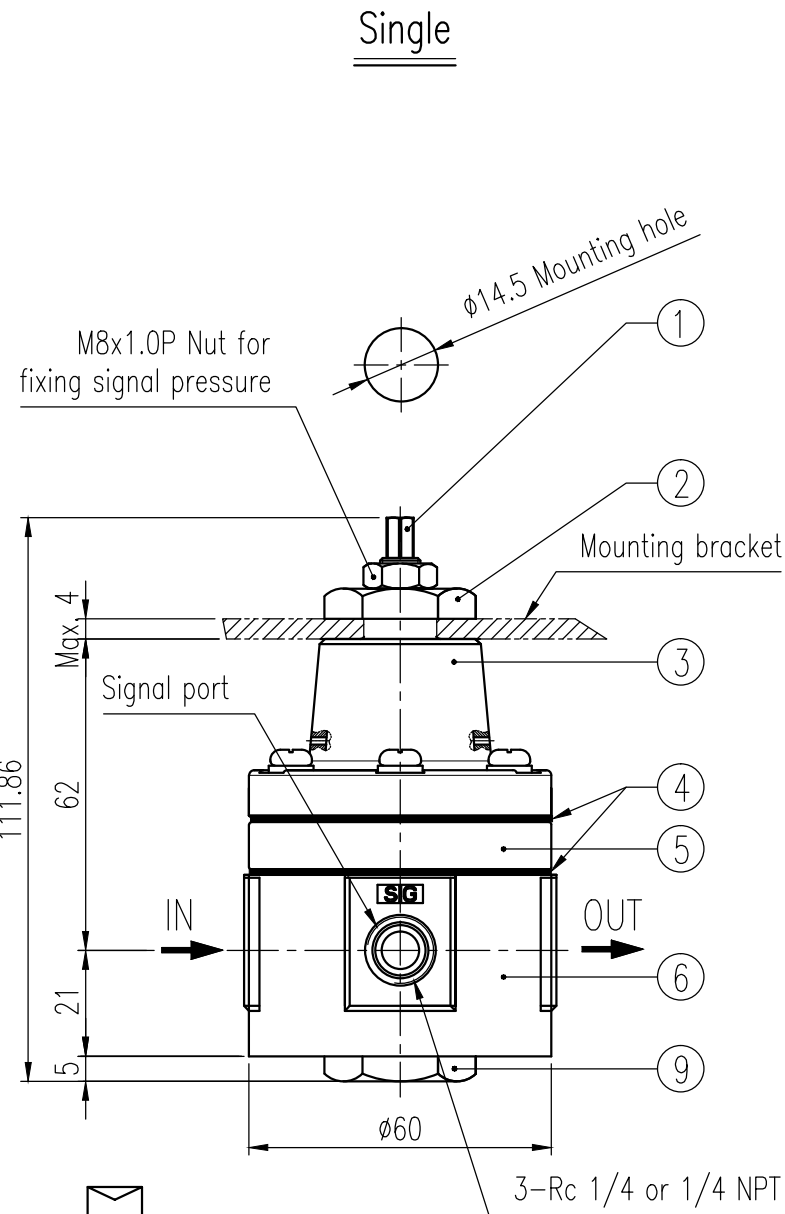


REV.NO.	REVISION DESCRIPTION	DRAWN / DATE	REVIEWED / DATE	APPROVED / DATE
△	First issued	HSS/20050601	JCS/20050601	LYH/20050601
	Omission in the middle			
△	Drawing arrangement	KSH/20190510	KCH/20190510	KTJ/20190510
△	Drawing arrangement	OSS/20190926	KCH/20190926	KTJ/20190926



Specifications

Item. type	YT-400	
	<input type="checkbox"/> Single	<input type="checkbox"/> Double
Max. supply pressure	Max. 1 MPa (10 bar)	
Signal pressure setting range	0.14 ~ 0.7 MPa (1.4 ~ 7 bar)	
Hysteresis	Below 0.01 MPa (0.1 bar)	
Flow capacity(Cv)	0.9	
Ambient temperature	Standard	<input type="checkbox"/> -20 ~ 70 °C (-4 ~ 158 °F)
	High	<input type="checkbox"/> -20 ~ 120 °C (-4 ~ 248 °F)
	Low	<input type="checkbox"/> -40 ~ 70 °C (-40 ~ 158 °F)
	Arctic	<input type="checkbox"/> -50 ~ 70 °C (-58 ~ 158 °F)
Air connection	Rc 1/4 1/4 NPT	
Housing material	Aluminum	
Weight	0.47 kg (1.1 lb)	0.66 kg (1.5 lb)

No.	Part name	Material	Q'ty	Remark
1	Adjust shaft	STS303	1	
2	Mounting nut (M14x1.0P)	C3604BD + Ni PLATED	1	
3	Base cover	ALDC12	1	
4	Diaphragm	NBR	2	Standard
		Silicone	2	Low/High/Arctic temp.
5	Exhaust ring	ALDC12	1	
6	Single base body	ALDC12	1	
7	Upper base body	ALDC12	1	
8	Lower base body	STS303	1	
9	Plug	STS303	1	

NOTE
1. Be sure that the difference between setting pressure and signal pressure is over 0.1 MPa.

SURFACE TEXTURE	PRODUCT NAME	Rotork YTC Limited GIMPO-SI, KOREA
FINISH TREATMENT	Lock up valve	
MATERIAL	MODEL	Standard type drawing DRAWING NO. YT-400-1 REV. 4
OTHERWISE NOTE	YTC-400	
GENERAL TOLERANCE	PROJECTION	TITLE YTC-400 SCALE 1 / 1.5 QUANTITY 1 SHEET No. 1 / 1
	3rd	