

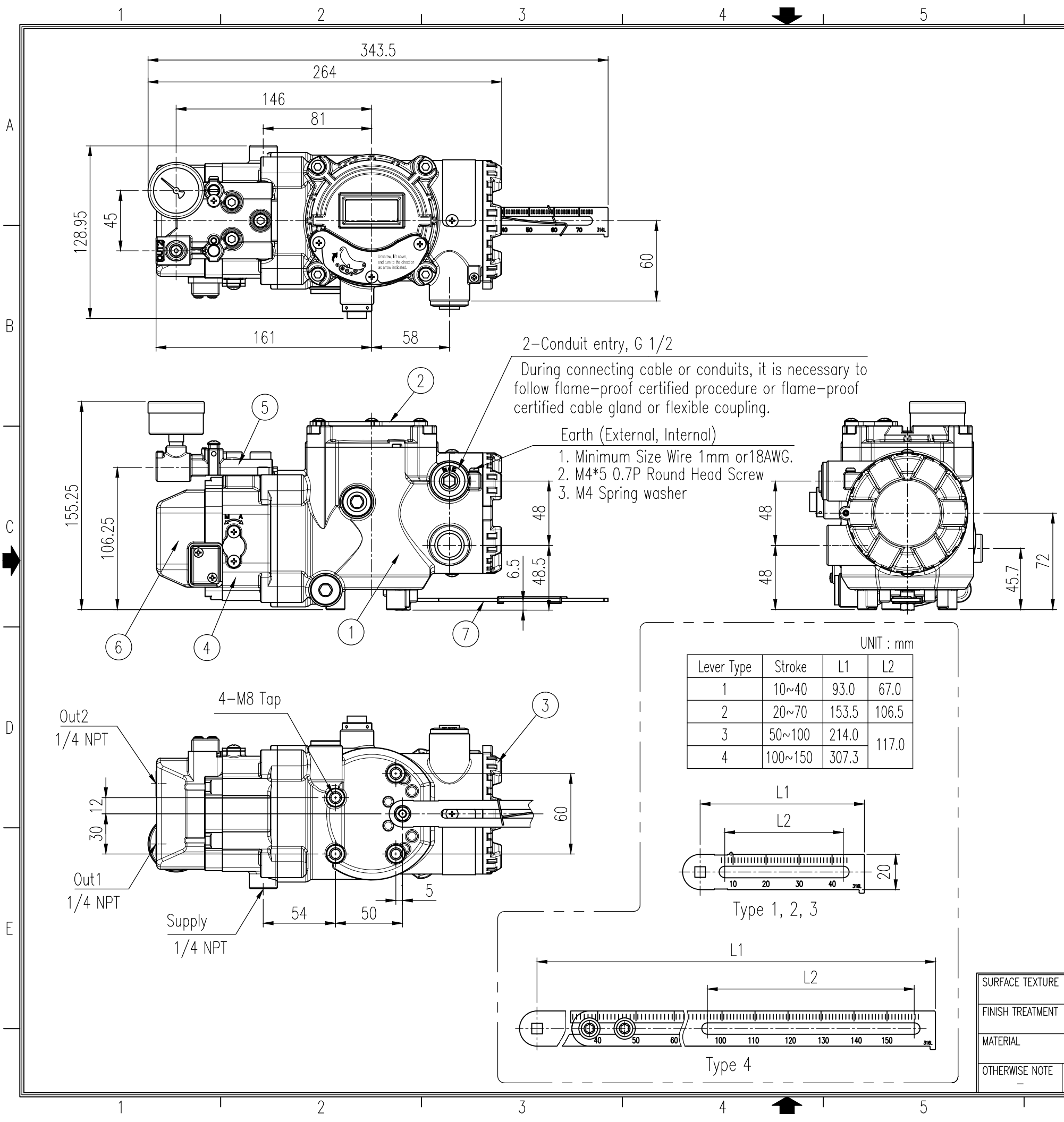
REV.NO.	REVISION DESCRIPTION	DRAWN / DATE	REVIEWED / DATE	APPROVED / DATE
△	Issue for approval	KCH/20141029	JCS/20141029	LYH/20141029
△	Company name changed ...	OSS/20191014	KCH/20191014	KTJ/20191014

Specifications

Acting Type	<input type="checkbox"/> Single	<input type="checkbox"/> Double
Input Signal	4 ~ 20mA DC	
Impedance	Max. 450 Ohm/20mA DC	
Supply Pressure	0.14 ~ 0.7MPa (1.4 ~ 7bar)	
Explosion Proof	Ex d IIC T6/T5	
Stroke	10 ~ 150mm	
Operating Temp.	<input type="checkbox"/> -30 ~ 85°C (-22 ~ 185°F)	<input type="checkbox"/> -40 ~ 85°C (-40 ~ 185°F)
	<input type="checkbox"/> -55 ~ 85°C (-67 ~ 185°F) Only TRCU	
Explosion Ambient Temp.	NEPSI, ATEX, IECEx	T6 : -40 ~ 70°C (-40 ~ 158°F)
	FM, KCS, INMETRO	T5 : -40 ~ 80°C (-40 ~ 176°F)
	TRCU	T6 : -55 ~ 70°C (-67 ~ 158°F) T5 : -55 ~ 80°C (-67 ~ 176°F)
Linearity	±0.5% F.S.	
Hysteresis	±0.5% F.S.	
Sensitivity	±0.2% F.S.	
Repeatability	±0.3% F.S.	
Conduit entry	G 1/2	
Air Connection	1/4 NPT	
Gauge Connection	1/8 NPT	
Air consumption	Below 2LPM (Sup.=0.14MPa, 1.4bar)	
Flow Capacity	70LPM (Sup.=0.14MPa, 1.4bar)	
Protection	IP66	
Main Board	MPU	16 bit Micro Controller
	A/D Converter	12 bit
	D/A Converter	12 bit
Output Characteristics	<input type="checkbox"/> Linear	<input type="checkbox"/> Quick open
	<input type="checkbox"/> EQ%	<input type="checkbox"/> User set (5 or 18 point)
Housing Material	Stainless Steel 316	
Weight	7.0kg (15.4 lb)	
Lever Type	<input type="checkbox"/> 10~ 40mm	<input type="checkbox"/> 20~70mm
	<input type="checkbox"/> 50~100mm	<input type="checkbox"/> 100~150mm

7	Feedback lever	STS316	1	
6	Pilot cover	SCS14	1	
5	Block	SCS14	1	
4	Manifold	SCS14	1	
3	Terminal cover	SCS14	1	
2	Base cover	SCS14	1	
1	Base body	SCS14	1	
No.	Part name	Material	Q'ty	Remark

PROJECT NAME				
SURFACE TEXTURE	PRODUCT NAME		rotork® Rotork YTC Limited	
FINISH TREATMENT	Smart positioner		GIMPO-SI, KOREA	
MATERIAL	MODEL	SCALE	TITLE	
OTHERWISE NOTE	YTC-3450	1 / 3	Linear standard drawing	
GENERAL TOLERANCE	PROJECTION	SHEET No.	DRAWING NO.	REV.
	3rd	1 / 1	YT-3450L-1	1



2019.01.23