

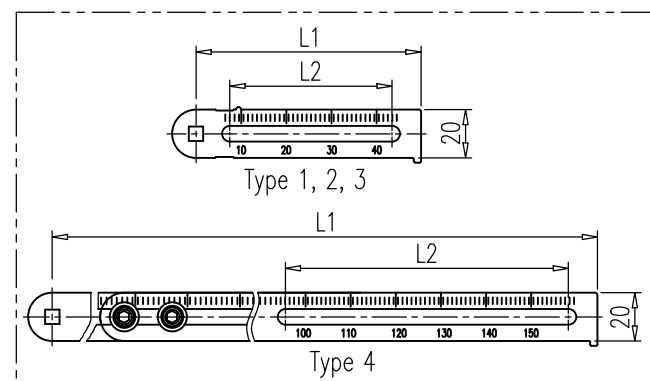
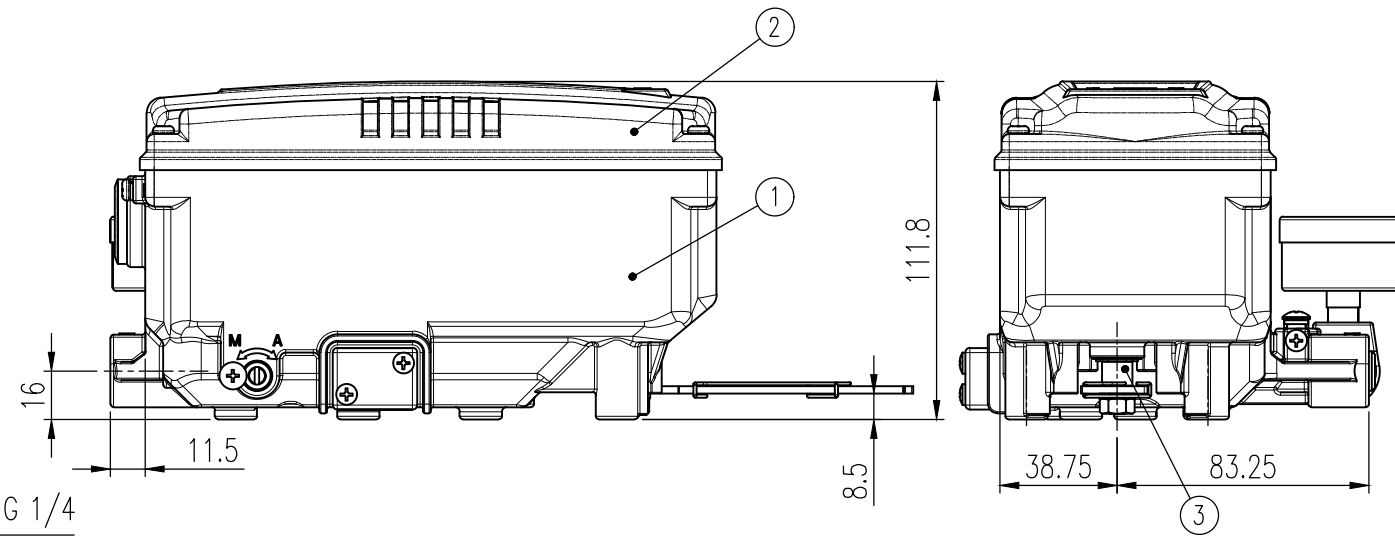
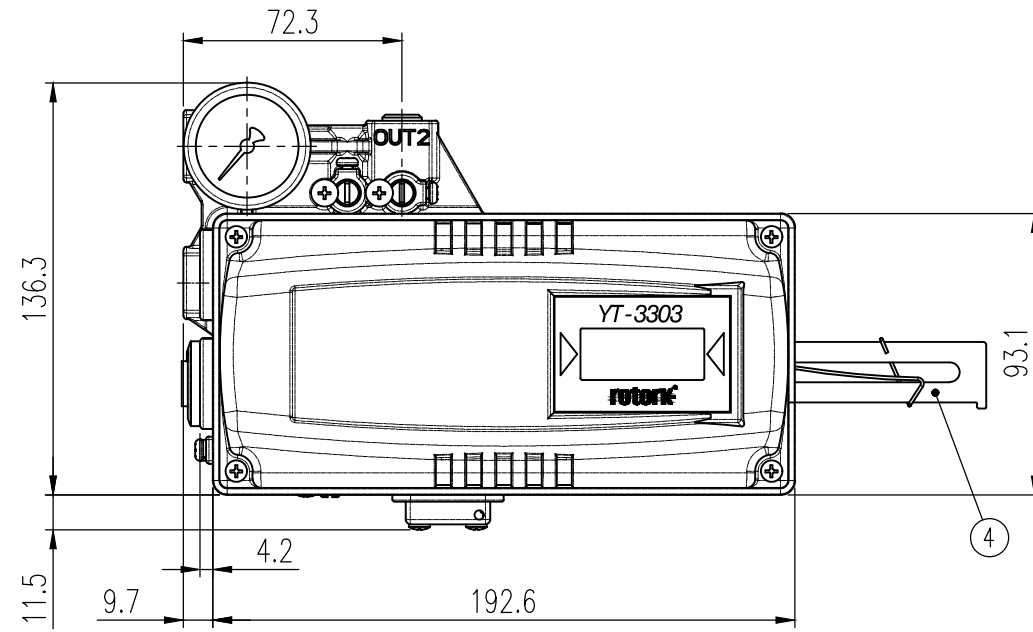
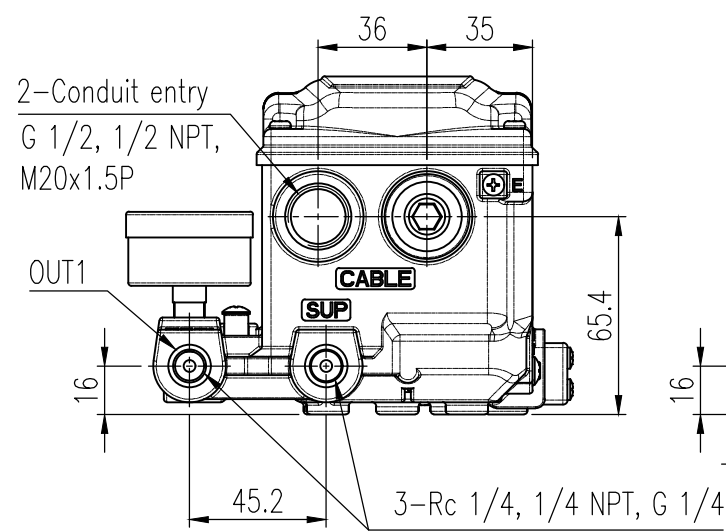
REV.NO.	REVISION DESCRIPTION	DRAWN / DATE	REVIEWED / DATE	APPROVED / DATE
△	First issued	JCS/20141029		LYH/20141029
△	Company name changed ...	OSS/20191011	KCH/20191011	KTJ/20191011

Specifications

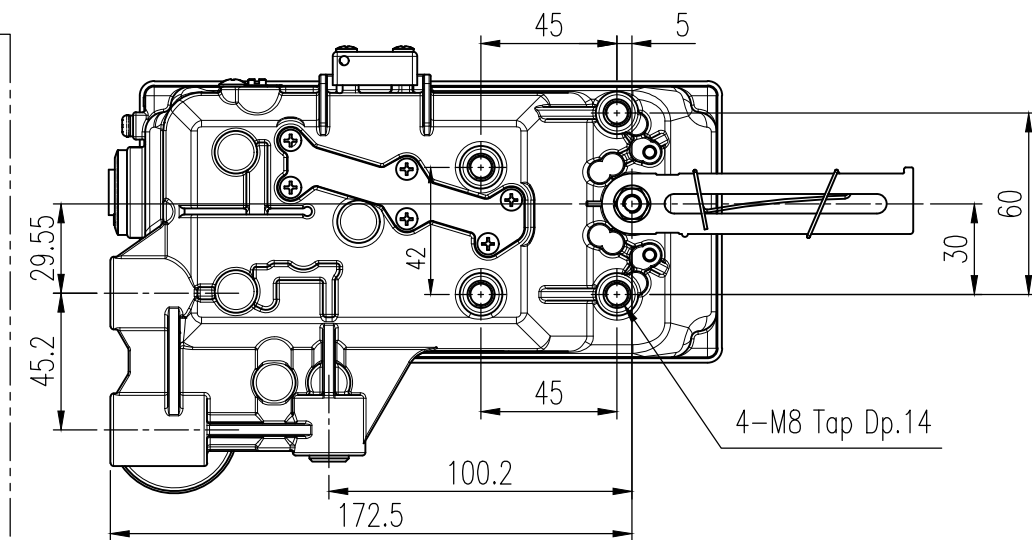
Acting Type	<input type="checkbox"/> Single	<input type="checkbox"/> Double
Input Signal	4 ~ 20mA DC	
Impedance	Max. 500 Ohm/20mA DC	
Supply Pressure	0.14 ~ 0.7MPa (1.4 ~ 7bar)	
Explosion Proof	<input type="checkbox"/> Non-Explosion	<input type="checkbox"/> Ex ia IIC T5/T6 ...
Stroke	10 ~ 150mm	
Lever Type	<input type="checkbox"/> 10 ~ 40mm	<input type="checkbox"/> 20 ~ 70mm
	<input type="checkbox"/> 50 ~ 100mm	<input type="checkbox"/> 100 ~ 150mm
Operating Temp.	<input type="checkbox"/> -30 ~ 85°C (-22 ~ 185°F)	<input type="checkbox"/> -40 ~ 85°C (-40 ~ 185°F)
	<input type="checkbox"/> -55 ~ 85°C (-67 ~ 185°F) Only TRCU	
Explosion Ambient Temp.	-40 ~ 60°C(T5) / -40 ~ 40°C(T6)	
	-55 ~ 60°C(T5) / -55 ~ 40°C(T6) Only TRCU	
Linearity	±0.5% F.S.	
Hysteresis	±0.5% F.S.	
Sensitivity	±0.2% F.S.	
Repeatability	±0.3% F.S.	
Conduit entry,	G 1/2,	G 1/2,
Air Connection,	<input type="checkbox"/> Rc 1/4,	<input type="checkbox"/> 1/4 NPT,
Gauge Connection	Rc 1/8	1/8 NPT
Air consumption	Below 2LPM (Sup.=0.14MPa, 1.4bar)	
Flow Capacity	70LPM (Sup.=0.14MPa, 1.4bar)	
Enclosure	IP66, Type 4X(FM)	
Main Board	MPU	16 bit Micro Controller
	A/D Converter	12 bit
	D/A Converter	12 bit
Output Characteristics	<input type="checkbox"/> Linear	<input type="checkbox"/> Quick open
	<input type="checkbox"/> EQ%	<input type="checkbox"/> User set (5 or 18 point)
Communication (Option)	HART Communication (HART 7)	
Feedback Signal (Option)	4~20mA (DC 9~28V)	
Material	Aluminum	
Weight	2kg (4.4 lbf)	

NOTE

1. Conduit M20x1.5P and 1/2 NPT are adapter type.



Lever type	Stroke	L1	L2
1	10~40	93.0	67.0
2	20~70	153.5	106.5
3	50~100	214.0	117.0
4	100~150	307.3	



4	Feedback lever	STS304	1	
3	Main shfat	STS303	1	
2	Base cover	ALDC12	1	
1	Base body	ALDC12	1	
No.	Part name	Material	Q'ty	Remark

SURFACE TEXTURE	PRODUCT NAME	Smart positioner		PROJECT NAME	
FINISH TREATMENT	MODEL	YT-3303		rotork Rotork YTC Limited GIMPO-SI, KOREA	
MATERIAL	PROJECTION	SCALE	TITLE		
OTHERWISE NOTE	GENERAL TOLERANCE	3rd	1 / 2.5	Linear standard drawing	
	QUANTITY	1	SHEET No.	DRAWING NO.	
			1 / 1	YT-3303L-01	
				REV.	1