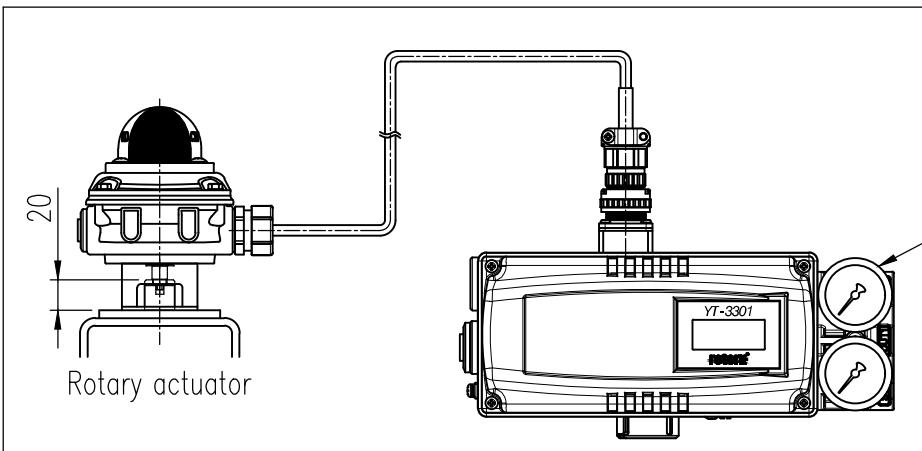


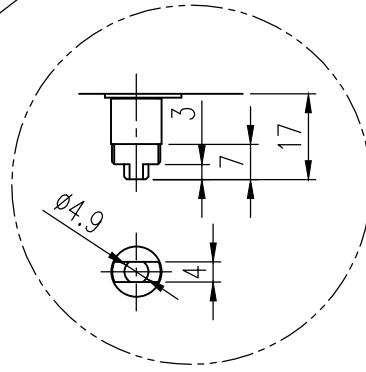
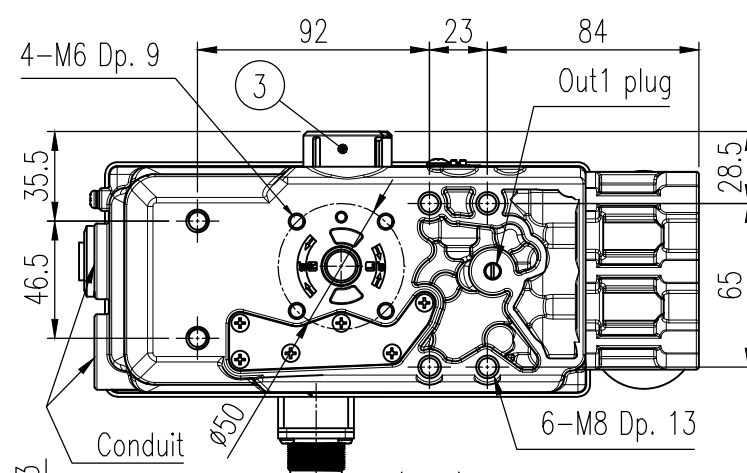
REV.NO.	REVISION DESCRIPTION	DRAWN / DATE	REVIEWED / DATE	APPROVED / DATE
△	First issued	KCH/20141029	JCS/20141029	LYH/20141029
△	Connector changed	KSH/20170822	JCS/20170822	KTJ/20170822
△	Drawing arrangement	OSS/20191011	KCH/20191011	KTJ/20191011



Rotary actuator

Positioner & Feedback module

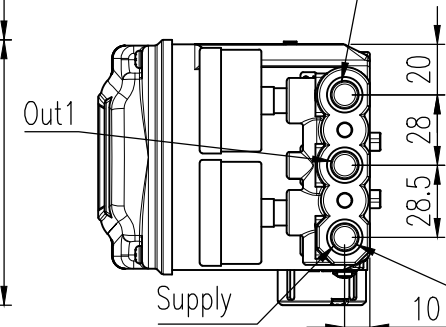
This pressure gauge will be replaced with a plug for single acting type.



Detail A

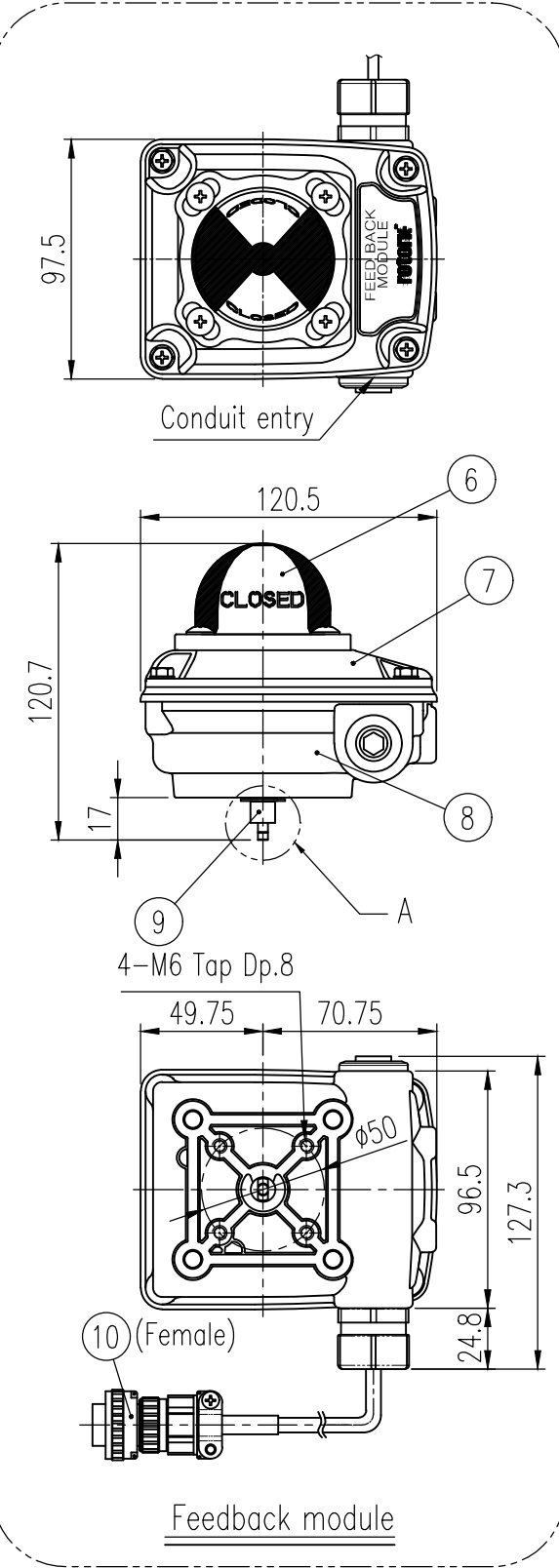
No.	Part name	Material	Q'ty	Remark
1	Base body	ALDC12	1	Positioner
2	Base cover	ALDC12	1	
3	Vent cover	PC	1	
4	Connector (Male)	AL, NBR	1	
5	Pressure gauge	STS304	1 or 2	Feedback module
6	Indicator	PC	1	
7	Base body	ALDC12	1	
8	Base cover	ALDC12	1	
9	Main shaft	STS303	1	
10	Connector (Female)	AL, NBR	1	

This Out2 port will be blocked by a plug for single acting type



**NOTE**

1. Conduit M20x1.5P and 1/2 NPT are adapter type.



Feedback module

**Specifications (Feedback Module)**

Input Type	2 Wire	
Output	4 ~ 20mA DC	
Noise Range	50mVp.p	
Protection	IP66, Type 4X(FM)	
Input Signal	-55 ~ 120°C (-67 ~ 248°F)	
Material	Aluminum	
Cable length	<input type="checkbox"/> 5m	<input type="checkbox"/> 10m
	<input type="checkbox"/> 15m	<input type="checkbox"/> 20m
Weight	1kg(2.1 lb)	

**Specifications (Positioner)**

Acting Type	<input type="checkbox"/> Single	<input type="checkbox"/> Double
Input Signal	4 ~ 20mA DC	
Impedance	Max. 500 Ohm/20mA DC	
Supply Pressure	0.14 ~ 0.7MPa (1.4 ~ 7bar)	
Explosion Proof	<input type="checkbox"/> Non-Explosion	<input type="checkbox"/> Ex ia IIC T5/T6
Operating Temp.	<input type="checkbox"/> -30 ~ 85°C (-22 ~ 185°F)	<input type="checkbox"/> -40 ~ 85°C (-40 ~ 185°F)
	<input type="checkbox"/> -55 ~ 85°C (-67 ~ 185°F) Only TRCU	
Explosion Ambient Temp.	-40 ~ 60°C(T5) / -40 ~ 40°C(T6) -55 ~ 60°C(T5) / -55 ~ 40°C(T6) Only TRCU	
Linearity	±0.5% F.S.	
Hysteresis	±0.5% F.S.	
Sensitivity	±0.2% F.S.	
Repeatability	±0.3% F.S.	
Conduit entry, Air Connection, Gauge Connection	G 1/2, Rc 1/4, 1/8 NPT	G 1/2, G 1/4, 1/8 NPT, M20x1.5P, 1/4 NPT, 1/8 NPT
Air consumption	Below 2LPM (Sup.=0.14MPa, 1.4bar)	
Flow Capacity	70LPM (Sup.=0.14MPa, 1.4bar)	
Enclosure	IP54	
Main Board	MPU	16 bit Micro Controller
	A/D Converter	12 bit
	D/A Converter	12 bit
Output Characteristics	<input type="checkbox"/> Linear	<input type="checkbox"/> Quick open
	<input type="checkbox"/> EQ%	<input type="checkbox"/> User set (5 or 18 point)
Material	Aluminum	
Weight	2.2kg (4.9 lb)	

SURFACE TEXTURE		PRODUCT NAME		PROJECT NAME	
FINISH TREATMENT		Smart positioner		-	
MATERIAL		MODEL		rotork® Rotork YTC Limited	
OTHERWISE NOTE		PROJECTION		GIMPO-SI, KOREA	
GENERAL TOLERANCE		SCALE		TITLE	
-		3rd 1 / 3		Rotary standard drawing	
-		QUANTITY		DRAWING NO.	
-		1		YT-3301R-01	
-		SHEET No.		REV.	
-		1 / 1		2	