

UNIT : mm

| Lever Type | Stroke | L1 | L2 |
|------------|--------|----|-----|
| 1 | 10~40 | 45 | 70 |
| 2 | 20~100 | 91 | 135 |
| 3 | 90~150 | 85 | 185 |

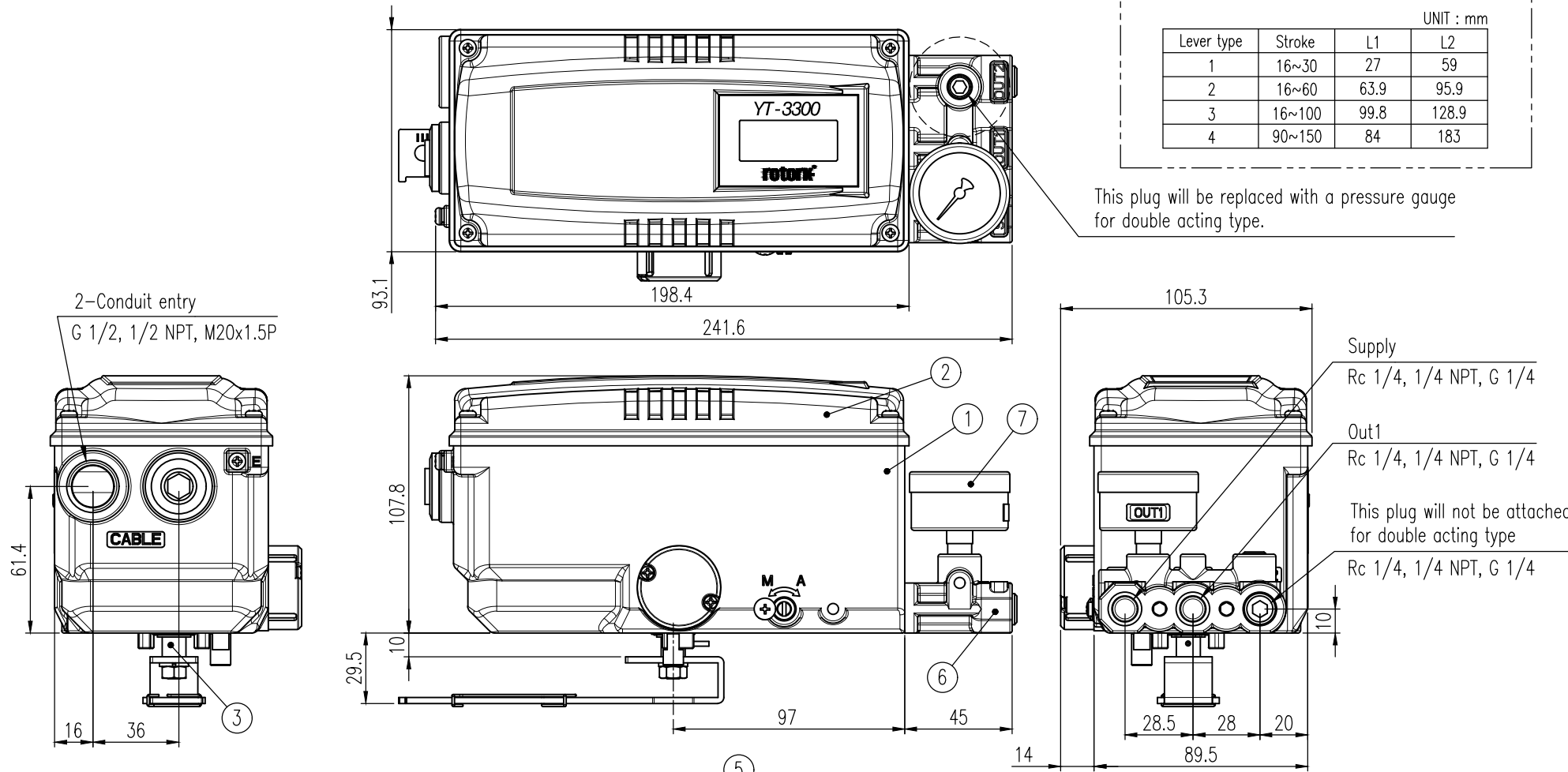
UNIT : mm

| Lever type | Stroke | L1 | L2 |
|------------|--------|------|-------|
| 1 | 16~30 | 27 | 59 |
| 2 | 16~60 | 63.9 | 95.9 |
| 3 | 16~100 | 99.8 | 128.9 |
| 4 | 90~150 | 84 | 183 |

| REV.NO. | REVISION DESCRIPTION | DRAWN / DATE | REVIEWED / DATE | APPROVED / DATE |
|---------|----------------------|--------------|-----------------|-----------------|
| △ | First issued | KCH/20191010 | JCS/20191010 | LYH/20191010 |

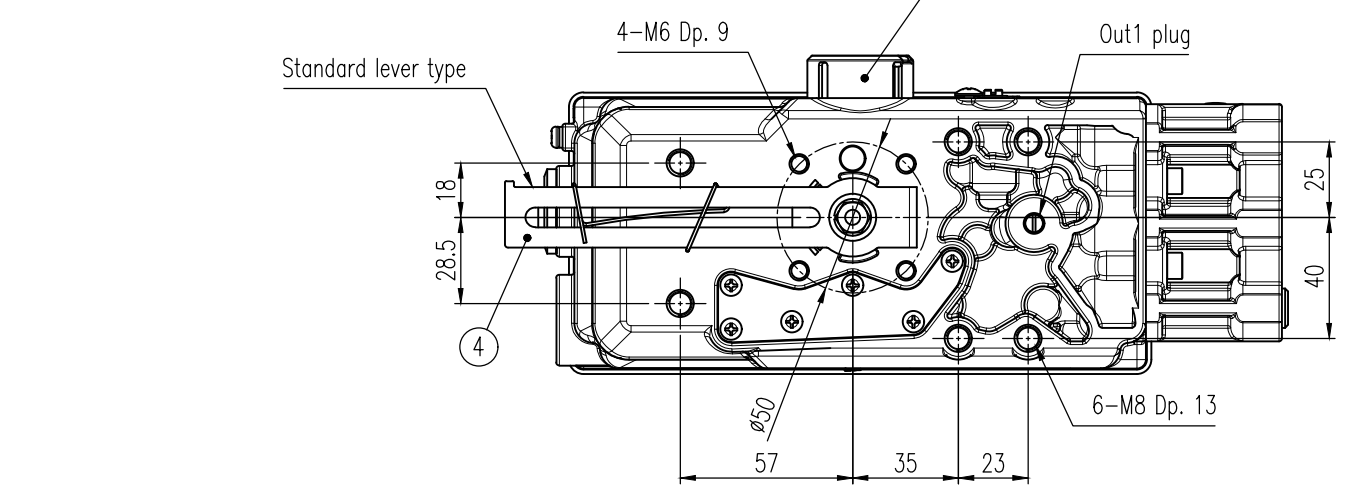
Specifications

| | | |
|---|--|--|
| Acting Type | <input type="checkbox"/> Single | <input type="checkbox"/> Double |
| Input Signal | 4 ~ 20mA DC | |
| Impedance | Max. 500 Ohm/20mA DC | |
| Supply Pressure | 0.14 ~ 0.7MPa (1.4 ~ 7bar) | |
| Explosion Proof | <input type="checkbox"/> Non-Explosion | <input type="checkbox"/> Ex ia IIC T5/T6 ... |
| Stroke | 10 ~ 150mm | |
| Lever Type | Standard | Adapter |
| | <input type="checkbox"/> 10 ~ 40mm <input type="checkbox"/> 20 ~ 100mm <input type="checkbox"/> 90 ~ 150mm - | <input type="checkbox"/> 16 ~ 30mm <input type="checkbox"/> 16 ~ 60mm <input type="checkbox"/> 16 ~ 100mm <input type="checkbox"/> 90 ~ 150mm |
| Operating Temp. | <input type="checkbox"/> -30 ~ 85°C (-22 ~ 185°F) <input type="checkbox"/> -40 ~ 85°C (-40 ~ 185°F) <input type="checkbox"/> -55 ~ 85°C (-67 ~ 185°F) Only TRCU | |
| Explosion Ambient Temp. | -40 ~ 60°C(T5) / -40 ~ 40°C(T6) -55 ~ 60°C(T5) / -55 ~ 40°C(T6) Only TRCU | |
| Linearity | ±0.5% F.S. | |
| Hysteresis | ±0.5% F.S. | |
| Sensitivity | ±0.2% F.S. | |
| Repeatability | ±0.3% F.S. | |
| Conduit entry, Air Connection, Gauge Connection | <input type="checkbox"/> G 1/2, <input type="checkbox"/> Rc 1/4, Rc 1/8 | <input type="checkbox"/> G 1/2, <input type="checkbox"/> 1/4 NPT, 1/8 NPT <input type="checkbox"/> G 1/2, <input type="checkbox"/> 1/4 NPT, 1/8 NPT <input type="checkbox"/> M20x1.5P, <input type="checkbox"/> 1/4 NPT, 1/8 NPT |
| Air consumption | Below 2 LPM (Sup.=0.14MPa, 1.4bar) | |
| Flow Capacity | 70 LPM (Sup.=0.14MPa, 1.4bar) | |
| Enclosure | IP66, Type 4X(FM) | |
| Main Board | MPU | 16 bit Micro Controller |
| | A/D Converter | 12 bit |
| | D/A Converter | 12 bit |
| Output Characteristics | <input type="checkbox"/> Linear <input type="checkbox"/> EQ% | <input type="checkbox"/> Quick open <input type="checkbox"/> User set (5 or 18 point) |
| Communication (Option) | HART Communication (HART 7) | |
| Feedback Signal (Option) | 4~20mA (DC 9~28V) | |
| Housing material | Aluminum | |
| Weight | 2.0kg (4.4 lb) | |



Limit Switch Specification

| Switch Type | Mechanical Switch | Proximity Sensor |
|---------------|-------------------------|---|
| Rated Voltage | 3A-125 VAC 2A-30 VDC | 8.2 VDC Not Detected ≥ 3mA Detected ≤ 1mA |
| Ambient Temp. | -40°C ~ 85°C | -25°C ~ 100°C |



| No. | Part name | Material | Q'ty | Remark |
|-----|----------------|----------|------|--------|
| 7 | Pressure gauge | STS304 | 1 | |
| 6 | Gauge block | ALDC12 | 1 | |
| 5 | Vent cover | PC | 1 | |
| 4 | Feedback lever | STS304 | 1 | |
| 3 | Main shaft | STS303 | 1 | |
| 2 | Base cover | ALDC12 | 1 | |
| 1 | Base body | ALDC12 | 1 | |

| | | |
|-------------------|------------------|---|
| SURFACE TEXTURE | PRODUCT NAME | rotork Rotork YTC Limited GIMPO-SI, KOREA |
| FINISH TREATMENT | Smart positioner | |
| MATERIAL | MODEL | TITLE |
| OTHERWISE NOTE | YTC-3300L | Linear L/S type drawing |
| GENERAL TOLERANCE | PROJECTION | DRAWING NO. |
| | 3rd | YT-3300L-02 |
| | SCALE | REV. |
| | 1 / 2.5 | 0 |
| | QUANTITY | SHEET No. |
| | 1 | 1 / 1 |