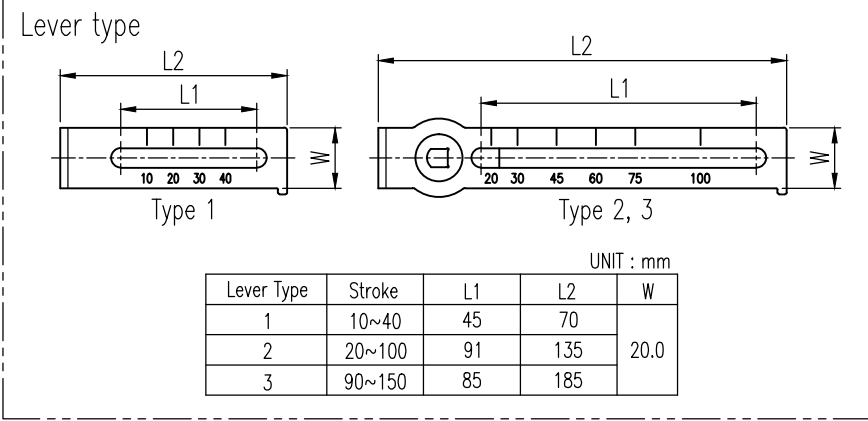
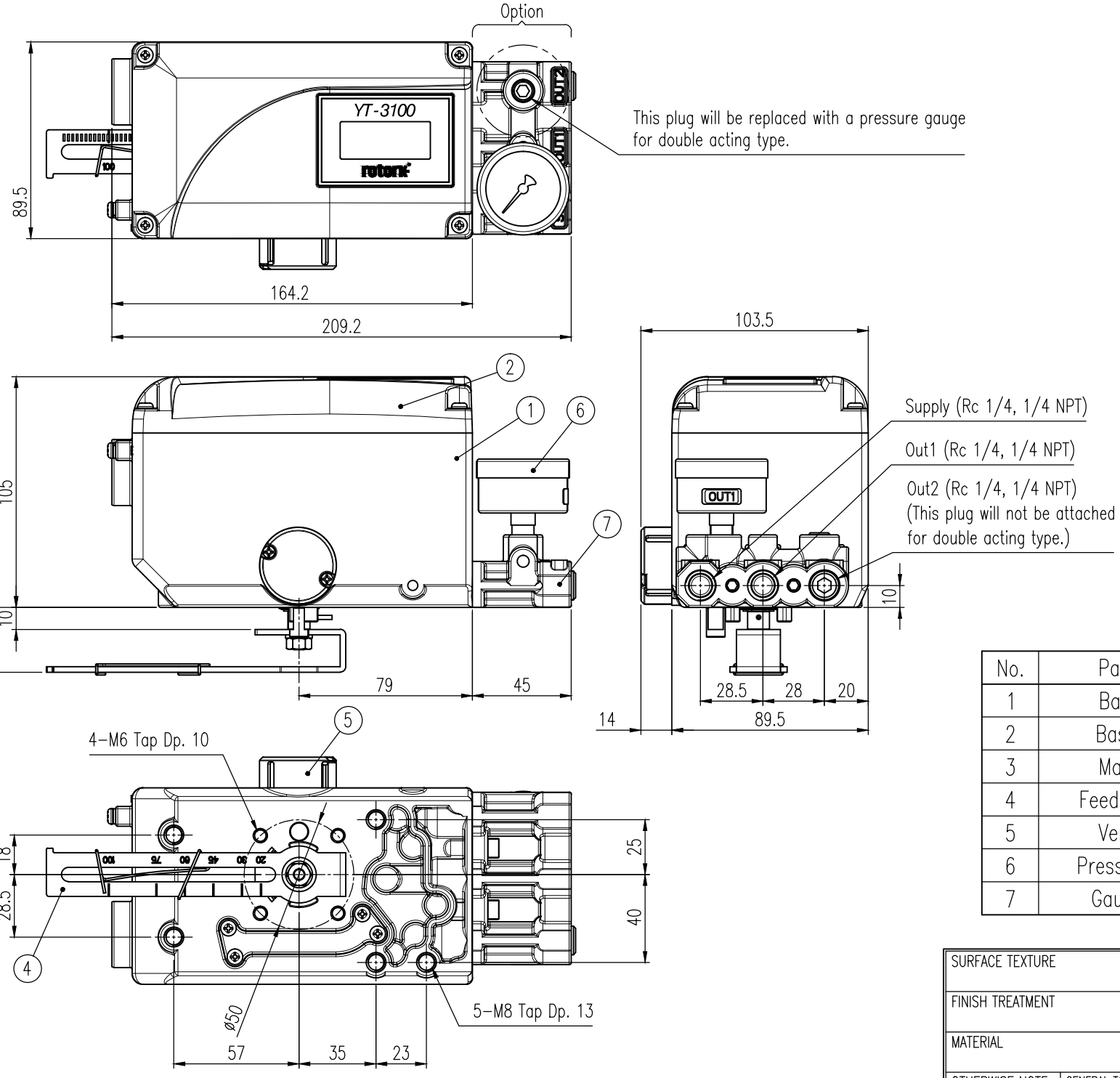


REV.NO.	REVISION DESCRIPTION	DRAWN / DATE	REVIEWED / DATE	APPROVED / DATE
△	First Issued	KBJ/20191015	KCH/20191015	KTJ/20191015
△				



**Specifications**

Acting Type	<input type="checkbox"/> Single	<input type="checkbox"/> Double
Explosion Protection Type	<input type="checkbox"/> Non-Explosion	<input type="checkbox"/> Ex ia IIC T5/T6 Gb
Explosion Ambient Temp.	-30 ~ 60°C(T5) / -30 ~ 40°C(T6)	
Operating Temp.	-30 ~ 85°C (-22 ~ 185°F)	
Lever Type	<input type="checkbox"/> 10 ~ 40mm <input type="checkbox"/> 20 ~ 100mm <input type="checkbox"/> 90 ~ 150mm	
Input Signal	4 ~ 20mA DC	
Supply Pressure	0.14 ~ 0.7 MPa / 1.4 ~ 7 bar / 20 ~ 102 psi	
Stroke	10 ~ 150mm (0.4 to 6")	
Impedance	Max 500 Ohm/20mA DC	
Conduit	G 1/2	
Air Connection	<input type="checkbox"/> Rc 1/4	<input type="checkbox"/> 1/4 NPT
Gauges block	<input type="checkbox"/> No	<input type="checkbox"/> Yes
Gauges Connection	Rc 1/8, 1/8 NPT	
Feedback Option	<input type="checkbox"/> None	<input type="checkbox"/> 4~20mA (DC 9~28V)
Linearity	±0.5% F.S.	
Hysteresis	±0.5% F.S.	
Sensitivity	±0.2% F.S.	
Repeatability	±0.3% F.S.	
Air consumption	Below 2 LPM (Sup. = 0.14 MPa) Below 0.07 CFM (Sup. = 20 psi)	
Flow Capacity	70 LPM (Sup. = 0.14 MPa) 2.47 CFM (Sup. = 20 psi)	
Output Characteristics	Linear, EQ%, Quick Open, User set (5, 21 points)	
Housing Material	Body : Aluminum Cover : Polycarbonate	
Ingress Protection	IP66	
Weight	1.7kg (3.7 lb)	



No.	Part name	Material	Q'ty	Remark
1	Base body	ALDC12	1	
2	Base cover	Polycarbonate	1	
3	Main shaft	STS303	1	
4	Feedback lever	STS304	1	
5	Vent cover	Polycarbonate	1	
6	Pressure gauge	STS304	1	
7	Gauge block	-	1	Option

SURFACE TEXTURE	PRODUCT NAME	Smart positioner		<b>rotork</b> Rotork YTC Limited GMP0-SI, KOREA
FINISH TREATMENT	MODEL	YT-3100		
MATERIAL	PROJECTION	SCALE	TITLE	
OTHERWISE NOTE	GENERAL TOLERANCE	QUANTITY	DRAWING NO.	
		1	YTC-3100L-1	
			REV.	
			0	