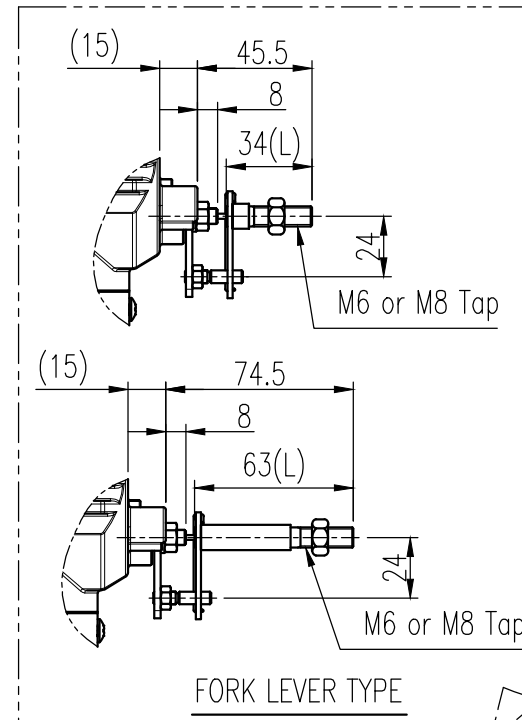
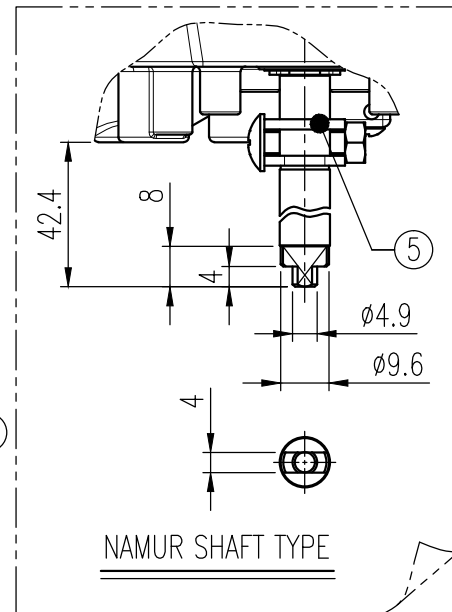
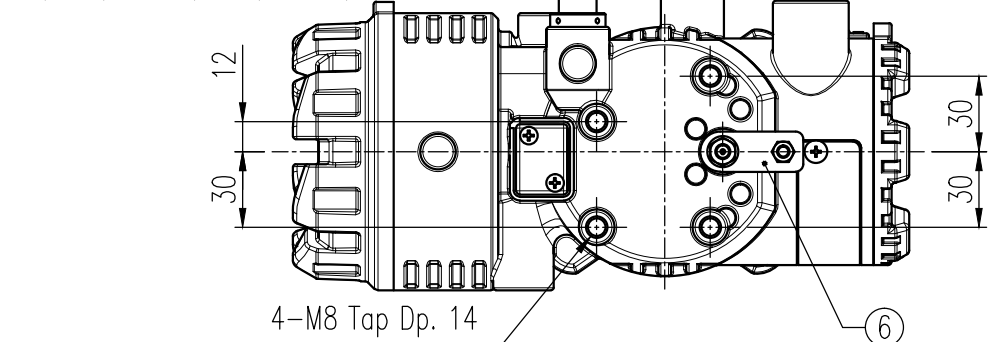
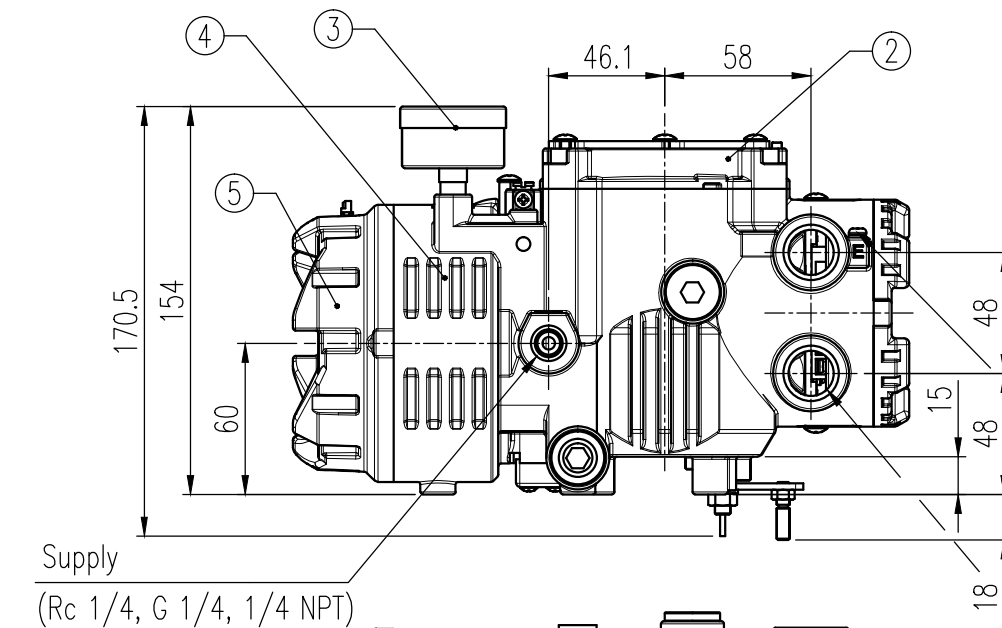
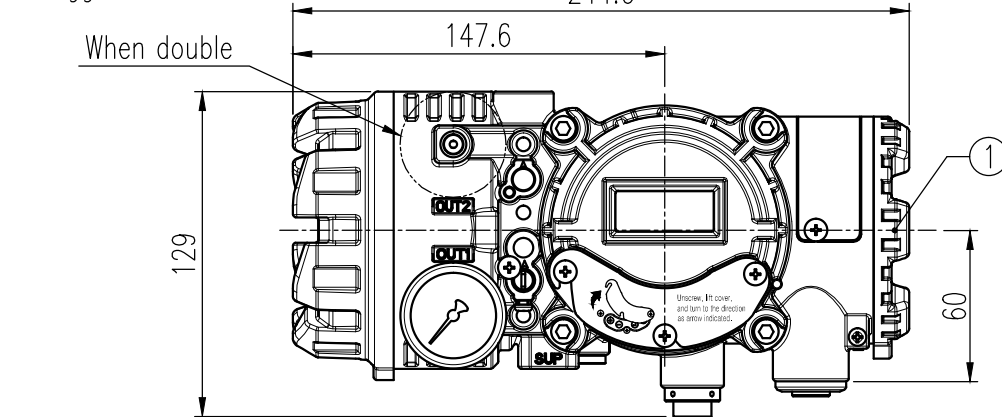
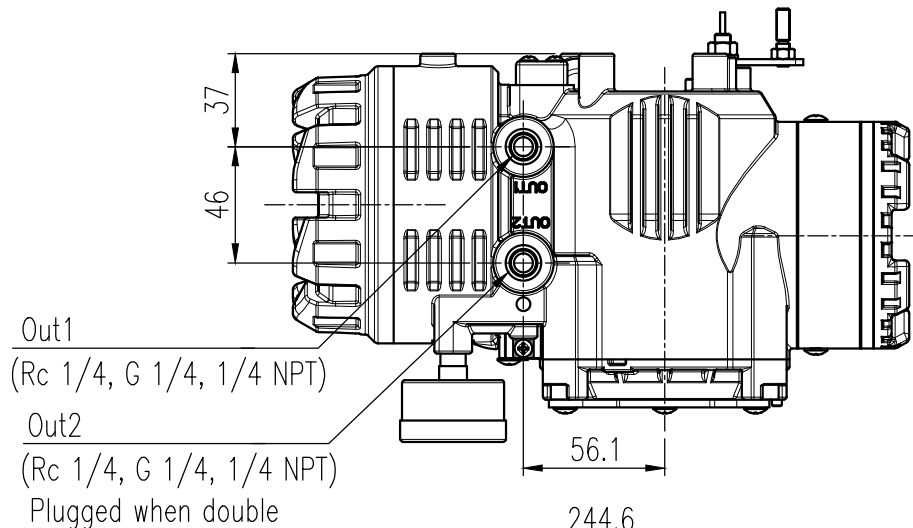


REV.NO.	REVISION DESCRIPTION	DRAWN / DATE	REVIEWED / DATE	APPROVED / DATE
△1	issue for approval	MDK/20090626	JCS/20090626	LYH/20090626
△1	Specifications update	MDK/20100305	JCS/20100305	LYH/20100305
△2	Dimension mark error correction	OSS/20120223	JCS/20120223	LYH/20120223
△3	Dimension mark error correction	MDK/20121220	JCS/20121220	LYH/20121220
△4	Drawing arrangement	KBJ/20190903	KCH/20190903	KTJ/20190903



NO.	PART NAME	MATERIAL	Q'TY		REMARK
			SINGLE	DOUBLE	
1	TERMINAL COVER	ALDC12	1		
2	BASE COVER	ALDC12	1		
3	PRESSURE GAUGE	STS304	1	2	
4	BASE BODY	ALDC12	1		
5	PILOT COVER	ALDC12	1		
6	FEEDBACK LEVER	STS303, 304P	1		FORK LEVER, NAMUR

Earth (External, Internal)

1. Minimum Size Wire 1mm or 18AWG.
2. M4*5 0.7P Round Head Screw
3. M4 Spring washer

2-Conduit entry (G 1/2, 1/2 NPT, M20x1.5P)

During connecting cable or conduits, it is necessary to follow flame-proof certified procedure or flame-proof certified cable gland or flexible coupling.

SPECIFICATIONS

Acting Type	<input type="checkbox"/> Single	<input type="checkbox"/> Double
Explosion Protection Type	<input type="checkbox"/> Non-Explosion	<input type="checkbox"/> Ex ia IIC T5/T6
Explosion Ambient Temp.	-30 ~ 60°C(T5) / -30 ~ 40°C(T6)	
Operating Temp.	-30 ~ 80°C (-22 ~ 176°F)	
Feedback Connecting Type	<input type="checkbox"/> M6 x 34L <input type="checkbox"/> M6 x 63L <input type="checkbox"/> M8 x 34L <input type="checkbox"/> M8 x 63L <input type="checkbox"/> NAMUR	
Input Signal	4 ~ 20mA DC	
Supply Pressure	0.14 ~ 0.7 MPa(1.4 ~ 7 bar, 20 ~ 102 psi)	
Stroke	55 ~ 110°	
Impedance	Max 500 Ohm @ 20mA DC	
Conduit entry, Air Connection, Gauge Connection	<input type="checkbox"/> G 1/2, Rc 1/4, Rc 1/8 <input type="checkbox"/> G 1/2, 1/4 NPT, 1/8 NPT <input type="checkbox"/> G 1/2, 1/4 NPT, 1/8 NPT <input type="checkbox"/> M20x1.5P, 1/4 NPT, 1/8 NPT <input type="checkbox"/> 1/2 NPT, 1/4 NPT, 1/8 NPT	
Linearity	±0.5% F.S.	
Hysteresis	±0.5% F.S.	
Sensitivity	±0.2% F.S.	
Repeatability	±0.3% F.S.	
Main Board	MPU: 16 bit Micro Controller A/D Converter: 12 bit D/A Converter: 12 bit	
Communication	<input type="checkbox"/> None	<input type="checkbox"/> HART Communication
Option	<input type="checkbox"/> None	<input type="checkbox"/> Position Transmitter
Fail Option(Power)	<input type="checkbox"/> Fail Freeze	<input type="checkbox"/> Fail Safe
Air consumption	Fail Freeze	0.01 LPM (Sup. = 0.14 MPa)
	Fail Safe	6 LPM (Sup. = 0.14 MPa)
Flow Capacity	Fail Freeze	60 LPM (Sup. = 0.14 MPa)
	Fail Safe	40 LPM (Sup. = 0.14 MPa)
Output Characteristics	Linear, EQ%, Quick Open, User set	
Housing Material	Aluminum	
Ingress Protection	IP66	
Weight	3.0kg (6.61 lb)	

SURFACE TEXTURE	PRODUCT NAME	SMART POSITIONER		rotork Rotork YTC Limited GMP0-SI, KOREA
FINISH TREATMENT	MODEL	YT-2600R		
MATERIAL	PROJECTION	SCALE	1 / 3	TITLE
OTHERWISE NOTE	GENERAL TOLERANCE	QUANTITY	1	Rotary Positioner drawing
		SHEET No.	1 / 1	DRAWING NO.
				YT-2600R-01
				REV.
				4