

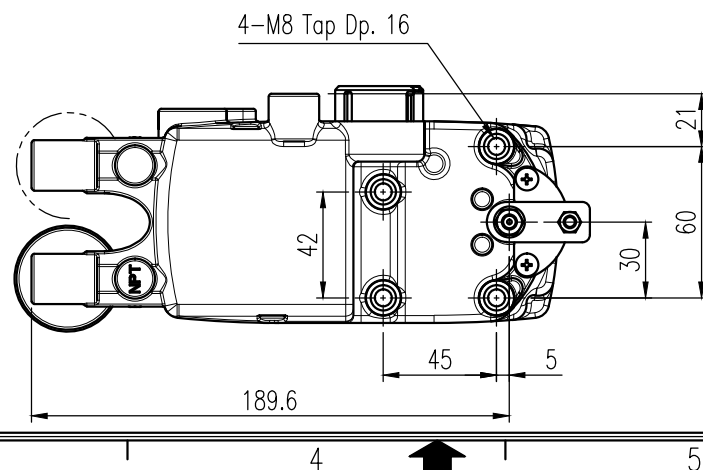
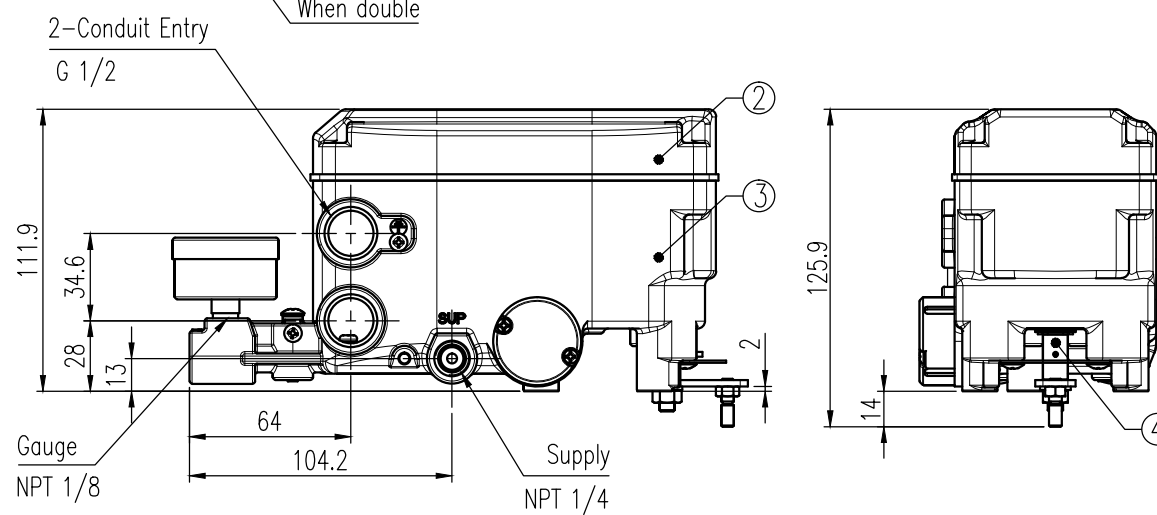
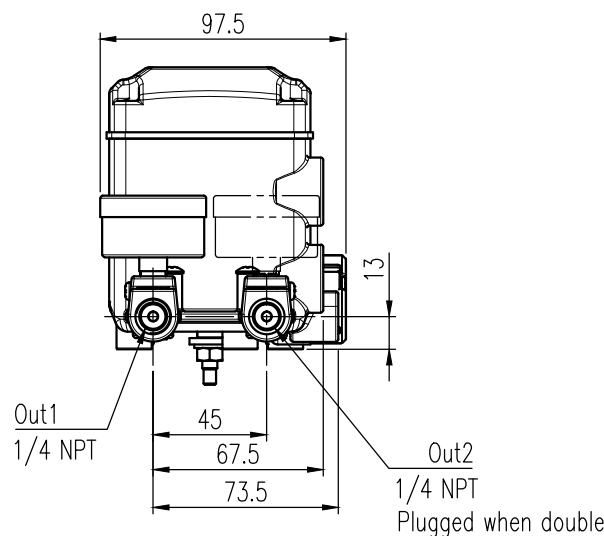
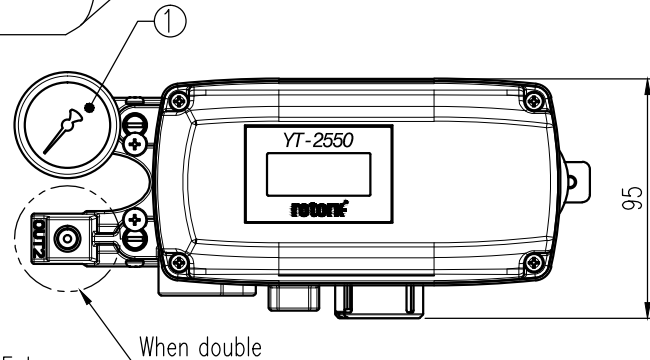
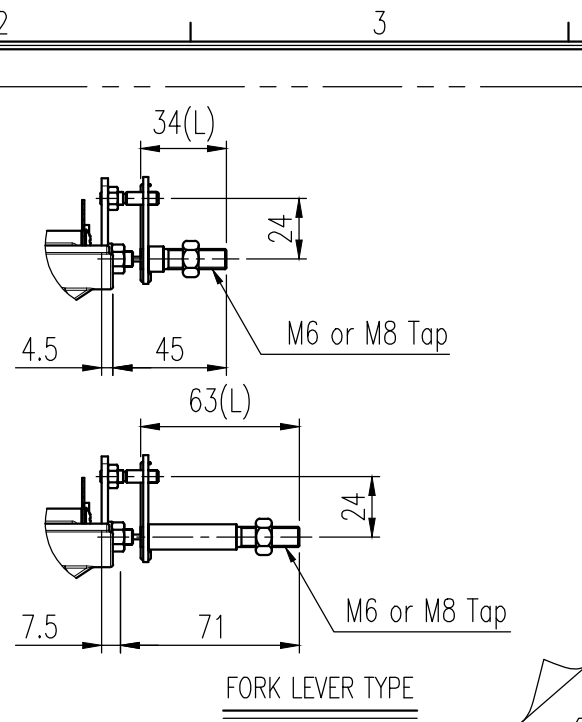
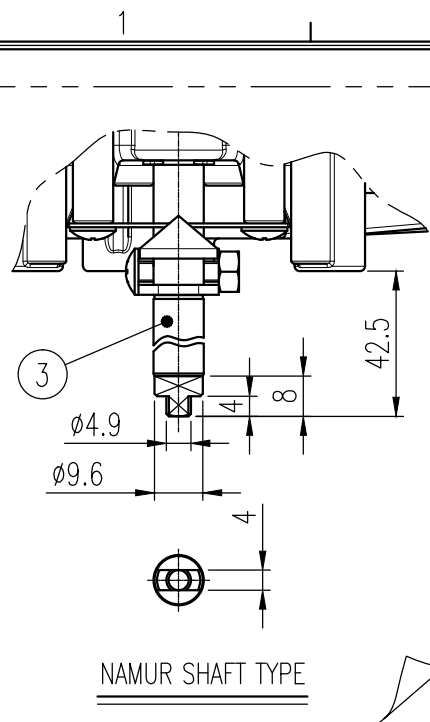
REV.NO.	REVISION DESCRIPTION	DRAWN / DATE	REVIEWED / DATE	APPROVED / DATE
△1	issue for approval	MDK/20080229	JCS/20080229	LYH/20080229
△1	Drawing arrangement	MDK/20100305	JCS/20100305	LYH/20100305
△1	Drawing arrangement	KBJ/20130102	MDK/20130102	JCS/20130102
△1	Drawing arrangement	KBJ/20190903	KCH/20190903	KTJ/20190903

SPECIFICATIONS

Acting Type	<input type="checkbox"/> Single	<input type="checkbox"/> Double
Explosion Protection Type	<input type="checkbox"/> Non-Explosion	<input type="checkbox"/> Ex ia IIC T5/T6
Explosion Ambient Temp.	-30 ~ 60°C(T5) / -30 ~ 40°C(T6)	
Operating Temp.	-30 ~ 80°C (-22 ~ 176°F)	
Feedback Connecting Type	<input type="checkbox"/> M6 x 34L <input type="checkbox"/> M6 x 63L <input type="checkbox"/> M8 x 34L <input type="checkbox"/> M8 x 63L <input type="checkbox"/> NAMUR	
	Input Signal	4 ~ 20mA DC
	Supply Pressure	0.14 ~ 0.7 MPa(1.4 ~ 7 bar, 20 ~ 102 psi)
	Stroke	55 ~ 110°
	Impedance	Max 500 Ohm @ 20mA DC
Conduit entry	Max 500 Ohm @ 20mA DC	
Air Connection	G 1/2	
Gauge Connection	NPT 1/8	
Linearity	±0.5% F.S.	
Hysteresis	±0.5% F.S.	
Sensitivity	±0.2% F.S.	
Repeatability	±0.3% F.S.	
Main Board	MPU	16 bit Micro Controller
	A/D Converter	12 bit
	D/A Converter	12 bit
Communication	<input type="checkbox"/> None	<input type="checkbox"/> HART Communication
Option	<input type="checkbox"/> None	<input type="checkbox"/> Position Transmitter
Fail Option(Power)	<input type="checkbox"/> Fail Freeze	<input type="checkbox"/> Fail Safe
Air consumption	Fail Freeze	0.01 LPM (Sup. = 0.14 MPa)
	Fail Safe	6 LPM (Sup. = 0.14 MPa)
Flow Capacity	Fail Freeze	60 LPM (Sup. = 0.14 MPa)
	Fail Safe	40 LPM (Sup. = 0.14 MPa)
Output Characteristics	Linear, EQ%, Quick Open, User set	
Housing Material	Stainless steel 316	
Ingress Protection	IP66	
Weight	2.9kg (6.4 lb)	

PROJECT NAME

SURFACE TEXTURE	PRODUCT NAME	rotork Rotork YTC Limited <small>GMP0-SI, KOREA</small>
FINISH TREATMENT	SMART POSITIONER	
MATERIAL	MODEL	TITLE
OTHERWISE NOTE	PROJECTION	Rotary Positioner drawing
GENERAL TOLERANCE	SCALE	DRAWING NO.
	3rd 1 / 3	YTC-2550R-01
	QUANTITY	REV.
	1	3
	SHEET No.	
	1 / 1	



NO.	PART NAME	MATERIAL	Q'TY		REMARK
			SINGLE	DOUBLE	
1	PRESSURE GAUGE	STS304	1	2	
2	BASE COVER	STS316	1		
3	BASE BODY	STS316	1		
4	MAIN SHAFT	STS316	1		