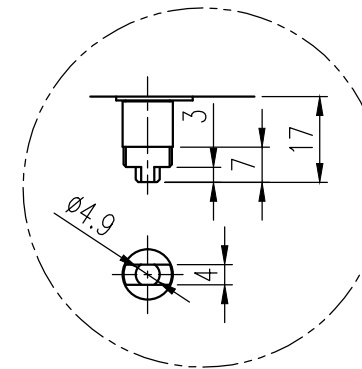
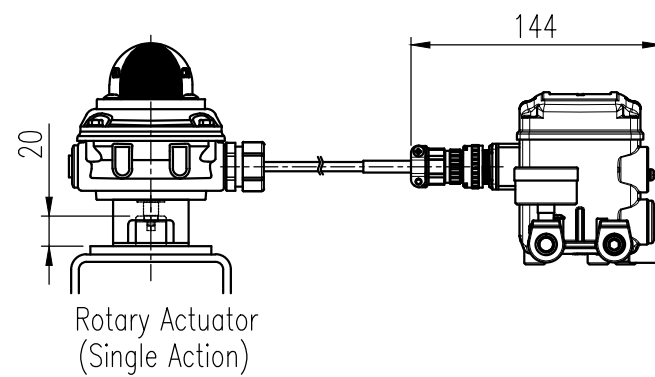
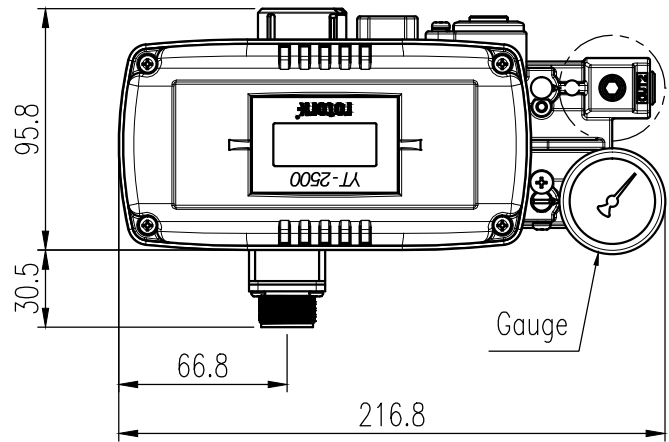


REV.NO.	REVISION DESCRIPTION	DRAWN / DATE	REVIEWED / DATE	APPROVED / DATE
△	issue for approval	KCH/20110808	JCS/20110808	LYH/20110808
△	Connector changed	KSH/20170822	JCS/20170822	KTJ/20170822
△	Drawing arrangement	KBJ/20190903	KCH/20190903	KTJ/20190903



Positioner & Feed Back Module

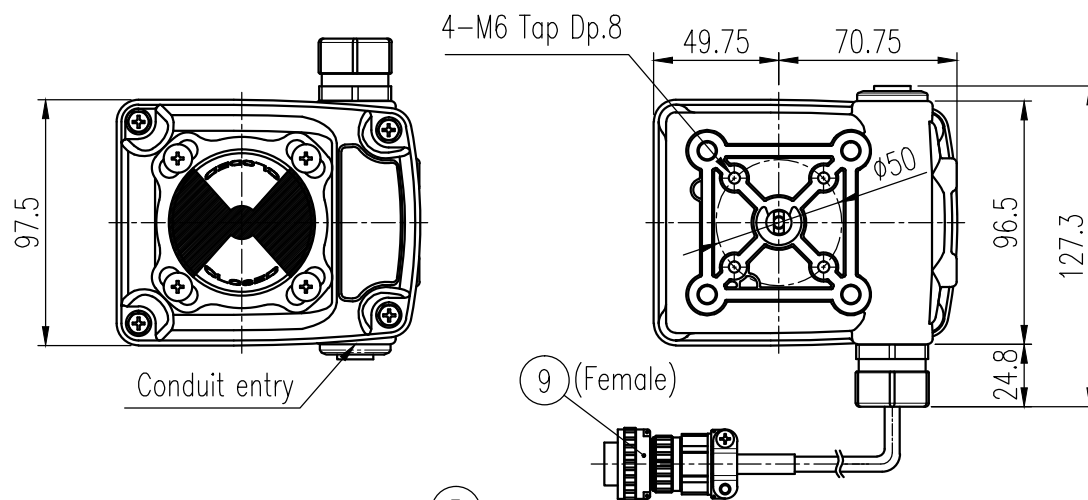
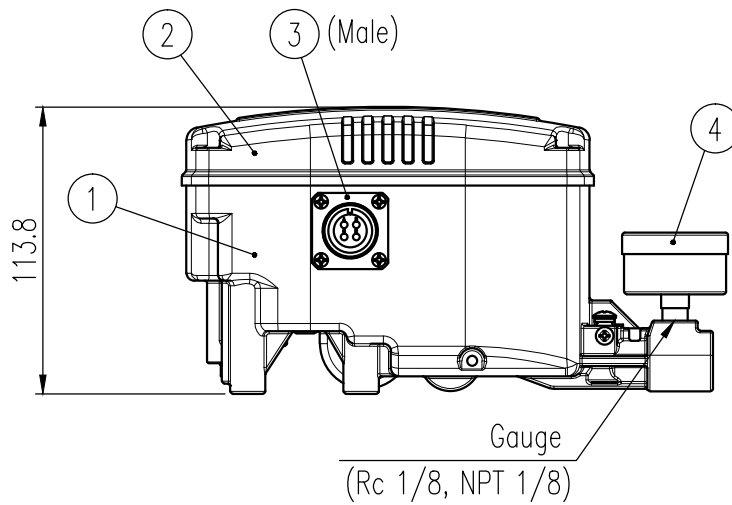
Detail A

Specifications (Feedback Module)

Input Type	2 Wire
Output	4 ~ 20mA DC
Noise Range	50mVp.p
Protection	IP 67
Stroke	90°
Material	Aluminum Diecasting
Weight	0.88 kg(1.94 lb)

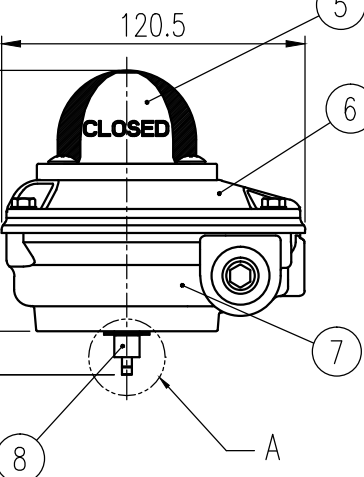
Specifications (Positioner)

Acting Type	Single				
Explosion Protection Type	<input type="checkbox"/> Non-Explosion		<input type="checkbox"/> Ex ia IIC T5/T6		
Explosion Ambient Temp.	-40 ~ 60°C(T5) / -40 ~ 40°C(T6)				
Operating Temp.	-30 ~ 80°C (-22 ~ 176°F)				
Input Signal	4 ~ 20mA DC				
Supply Pressure	0.14 ~ 0.7 MPa / 1.4 ~ 7 bar / 20 ~ 102 psi				
Stroke	90°				
Impedance	Max 500 Ohm / 20mA DC				
Conduit entry, Air Connection	<input type="checkbox"/> G 1/2, Rc 1/4	<input type="checkbox"/> G 1/2, 1/4 NPT	<input type="checkbox"/> G 1/2, 1/4 NPT	<input type="checkbox"/> M20x1.5P, 1/4 NPT	<input type="checkbox"/> 1/2 NPT, 1/4 NPT
Gauge Connection	<input type="checkbox"/> Rc 1/8	<input type="checkbox"/> 1/8 NPT	<input type="checkbox"/> 1/8 NPT	<input type="checkbox"/> 1/8 NPT	<input type="checkbox"/> 1/8 NPT
Linearity	±0.5% F.S.				
Hysteresis	±0.5% F.S.				
Sensitivity	±0.2% F.S.				
Repeatability	±0.3% F.S.				
Air consumption	Fail Freeze	0.01 LPM (Sup. = 0.14 MPa)			
	Fail Safe	6 LPM (Sup. = 0.14 MPa)			
Flow Capacity	Fail Freeze	60 LPM (Sup. = 0.14 MPa)			
	Fail Safe	40 LPM (Sup. = 0.14 MPa)			
Output Characteristics	Linear, EQ%, Quick Open, User set				
Housing Material	Aluminum				
Ingress Protection	IP66				
Weight	1.5kg (3.3 lb)				



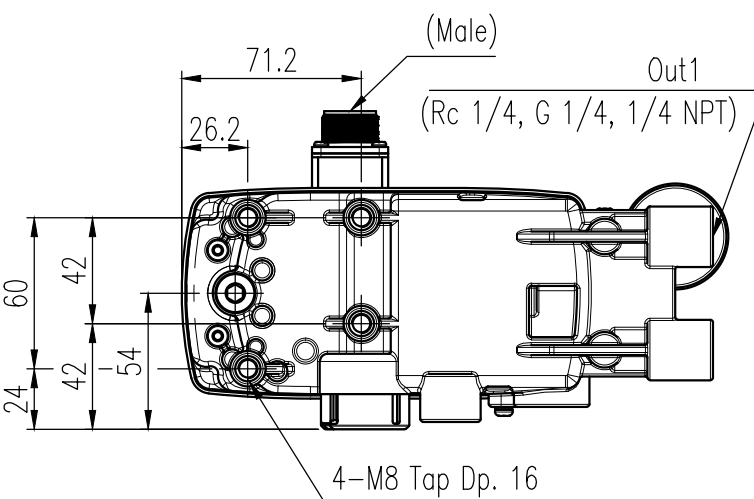
Conduit entry

9 (Female)



Feed Back Module (YT-850)

No.	Part Name	Material	Q'ty		Remark
			Single	Double	
1	Base Body	ALDC12	1		Positioner
2	Base Cover	ALDC12	1		
3	Connector (Male)	AL, NBR	1		
4	Pressure Gauge	STS304	1	2	
5	Indicator	PC	1		Feed Back Module
5	Base Cover	ALDC12	1		
6	Base Body	ALDC12	1		
7	Main Shaft	STS304	1		
8	Connector (Female)	AL, NBR	1		



Positioner

SURFACE TEXTURE	PRODUCT NAME	SMART POSITIONER (REMOTE)		rotork Rotork YTC Limited GMP0-SI, KOREA
FINISH TREATMENT	MODEL	YT-2501R		
MATERIAL	PROJECTION	SCALE	1 / 3	TITLE
OTHERWISE NOTE	GENERAL TOLERANCE	QUANTITY	1 / 1	Rotary Positioner drawing
				DRAWING NO.
				REV.
				YT-2501R-01
				2