

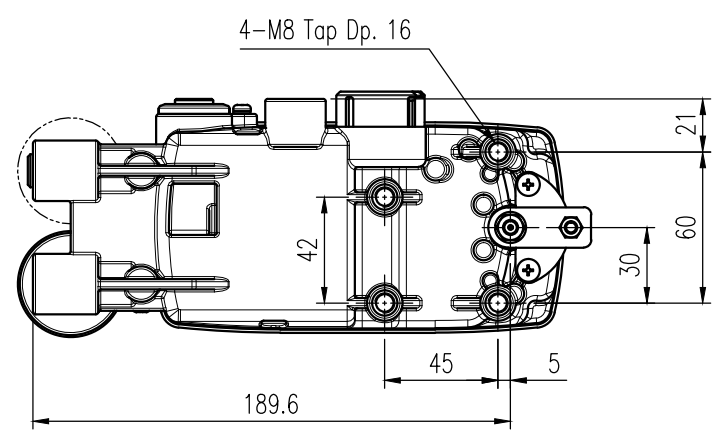
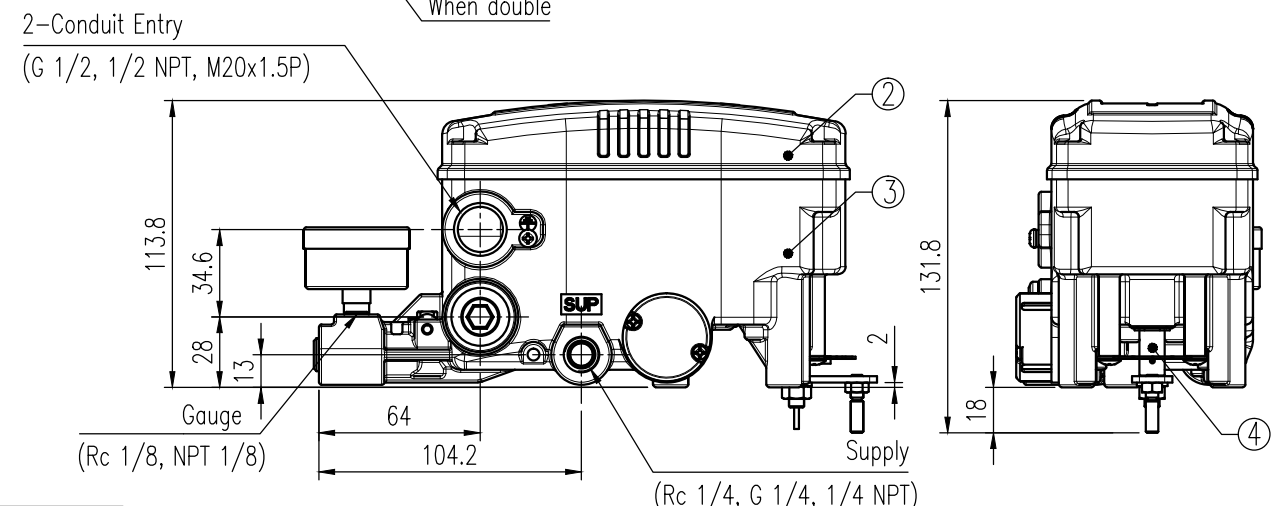
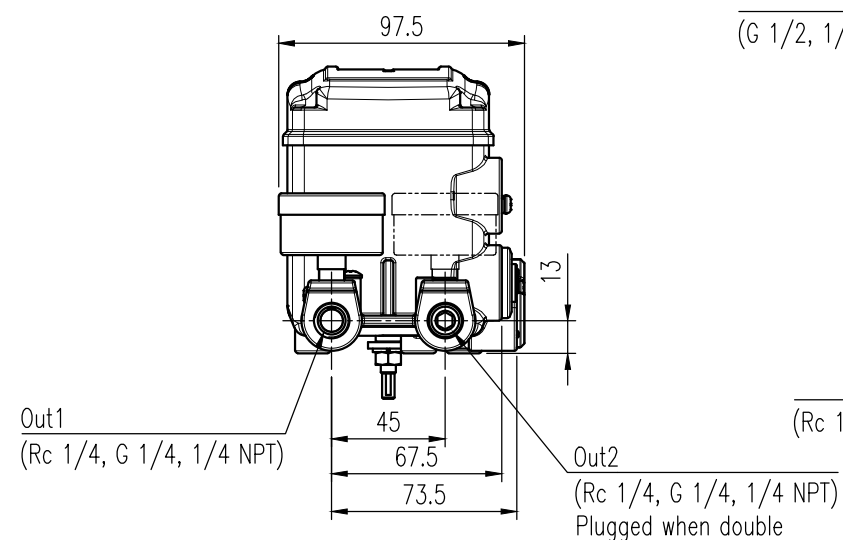
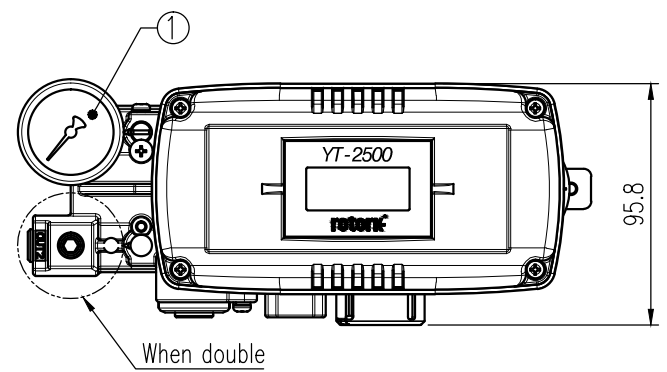
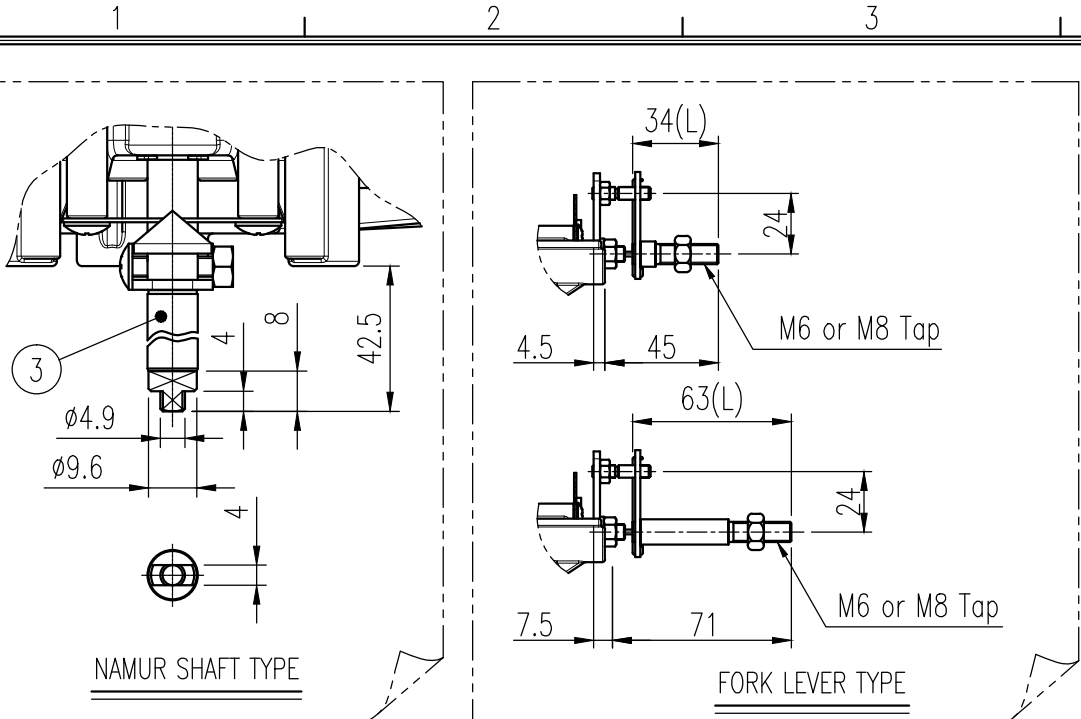
REV.NO.	REVISION DESCRIPTION	DRAWN / DATE	REVIEWED / DATE	APPROVED / DATE
△1	issue for approval	MDK/20080229	JCS/20080229	LYH/20080229
△1	Drawing arrangement	MDK/20100305	JCS/20100305	LYH/20100305
△1	Drawing arrangement	KBJ/20130102	MDK/20130102	JCS/20130102
△1	Drawing arrangement	KBJ/20190903	KCH/20190903	KTJ/20190903

SPECIFICATIONS

Acting Type	<input type="checkbox"/> Single	<input type="checkbox"/> Double				
Explosion Protection Type	<input type="checkbox"/> Non-Explosion	<input type="checkbox"/> Ex ia IIC T5/T6				
Explosion Ambient Temp.	-30 ~ 60°C(T5) / -30 ~ 40°C(T6)					
Operating Temp.	-30 ~ 80°C (-22 ~ 176°F)					
Feedback Connecting Type	<input type="checkbox"/> M6 x 34L					
	<input type="checkbox"/> M6 x 63L					
	<input type="checkbox"/> M8 x 34L					
	<input type="checkbox"/> M8 x 63L					
	<input type="checkbox"/> NAMUR					
Input Signal	4 ~ 20mA DC					
Supply Pressure	0.14 ~ 0.7 MPa(1.4 ~ 7 bar, 20 ~ 102 psi)					
Stroke	55 ~ 110°					
Impedance	Max 500 Ohm @ 20mA DC					
Conduit entry, Air Connection, Gauge Connection	G 1/2,	G 1/2,	G 1/2,	M20x1.5P,	1/2 NPT,	
	<input type="checkbox"/> Rc 1/4,	<input type="checkbox"/> 1/4 NPT,	<input type="checkbox"/> G 1/4,	<input type="checkbox"/> 1/4 NPT,	<input type="checkbox"/> 1/4 NPT,	
	Rc 1/8	1/8 NPT	1/8 NPT	1/8 NPT	1/8 NPT	
	Linearity					±0.5% F.S.
	Hysteresis					±0.5% F.S.
Sensitivity					±0.2% F.S.	
Repeatability					±0.3% F.S.	
Main Board	MPU	16 bit Micro Controller				
	A/D Converter	12 bit				
	D/A Converter	12 bit				
Communication	<input type="checkbox"/> None	<input type="checkbox"/> HART Communication				
Option	<input type="checkbox"/> None	<input type="checkbox"/> Position Transmitter				
Fail Option(Power)	<input type="checkbox"/> Fail Freeze	<input type="checkbox"/> Fail Safe				
Air consumption	Fail Freeze	0.01 LPM (Sup. = 0.14 MPa)				
	Fail Safe	6 LPM (Sup. = 0.14 MPa)				
Flow Capacity	Fail Freeze	60 LPM (Sup. = 0.14 MPa)				
	Fail Safe	40 LPM (Sup. = 0.14 MPa)				
Output Characteristics	Linear, EQ%, Quick Open, User set					
Housing Material	Aluminum					
Ingress Protection	IP66					
Weight	1.5kg (3.3 lb)					

PROJECT NAME

SURFACE TEXTURE	PRODUCT NAME	rotork Rotork YTC Limited	
FINISH TREATMENT	SMART POSITIONER	GIMPO-SI, KOREA	
MATERIAL	MODEL	YT-2500R	
OTHERWISE NOTE	PROJECTION	SCALE	TITLE
GENERAL TOLERANCE	3rd	1 / 3	Rotary Positioner drawing
QUANTITY	1	SHEET No.	DRAWING NO.
1	1 / 1	YT-2500R-01	REV.
			3



NO.	PART NAME	MATERIAL	Q'TY		REMARK
			SINGLE	DOUBLE	
1	PRESSURE GAUGE	STS304	1	2	
2	BASE COVER	ALDC12		1	
3	BASE BODY	ALDC12		1	
4	MAIN SHAFT	STS303		1	