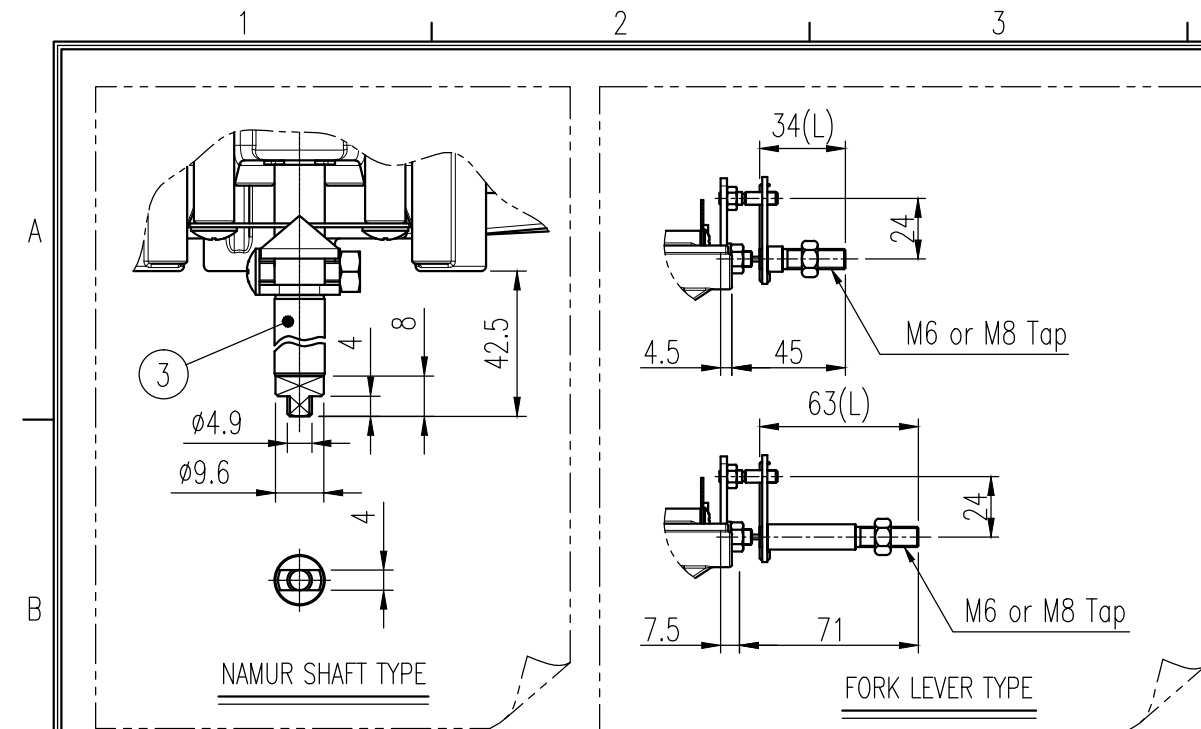


REV.NO.	REVISION DESCRIPTION	DRAWN / DATE	REVIEWED / DATE	APPROVED / DATE
△	issue for approval	MDK/20110527	JCS/20110527	LYH/20110527
△	Drawing arrangement	KBJ/20130102	MDK/20130102	JCS/20130102
△	Drawing arrangement	KBJ/20190903	KCH/20190903	KTJ/20190903

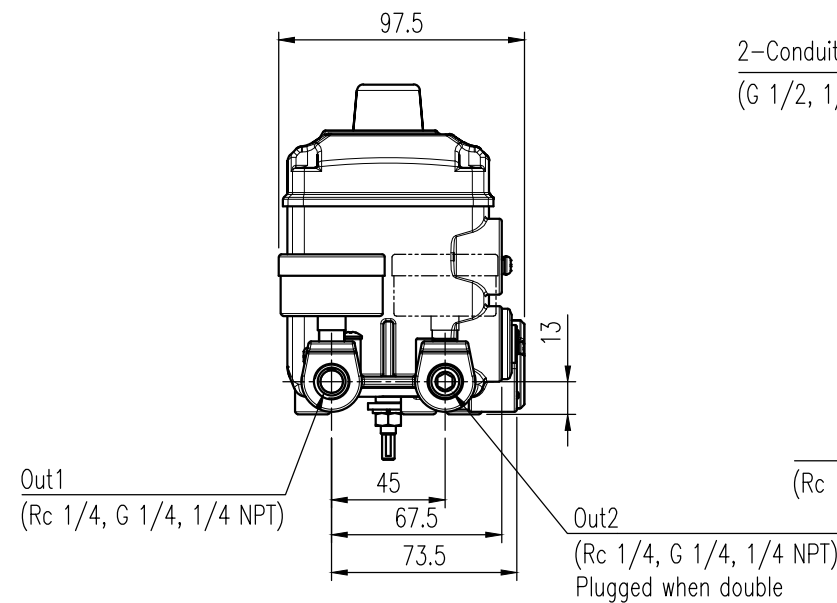
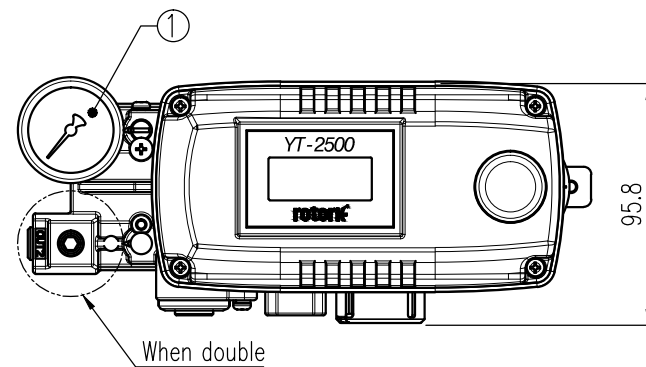
SPECIFICATIONS

Acting Type	<input type="checkbox"/> Single	<input type="checkbox"/> Double	
Explosion Protection Type	<input type="checkbox"/> Non-Explosion	<input type="checkbox"/> Ex ia IIC T5/T6	
Explosion Ambient Temp.	-30 ~ 60°C(T5) / -30 ~ 40°C(T6)		
Operating Temp.	-30 ~ 80°C (-22 ~ 176°F)		
Feedback Connecting Type	<input type="checkbox"/> Fork Lever Type		
	<input type="checkbox"/> M6 x 34L		
	<input type="checkbox"/> M6 x 63L		
	<input type="checkbox"/> M8 x 34L		
	<input type="checkbox"/> M8 x 63L		
	<input type="checkbox"/> NAMUR		
Input Signal	4 ~ 20mA DC		
Supply Pressure	0.14 ~ 0.7 MPa(1.4 ~ 7 bar, 20 ~ 102 psi)		
Stroke	55 ~ 110°		
Impedance	Max 500 Ohm @ 20mA DC		
Conduit entry, Air Connection, Gauge Connection	G 1/2,	G 1/2,	G 1/2,
	<input type="checkbox"/> Rc 1/4,	<input type="checkbox"/> 1/4 NPT,	<input type="checkbox"/> G 1/4,
	Rc 1/8	1/8 NPT	1/8 NPT
		M20x1.5P,	1/2 NPT,
		1/8 NPT	1/8 NPT
Linearity	±0.5% F.S.		
Hysteresis	±0.5% F.S.		
Sensitivity	±0.2% F.S.		
Repeatability	±0.3% F.S.		
Main Board	MPU	16 bit Micro Controller	
	A/D Converter	12 bit	
	D/A Converter	12 bit	
Communication	<input type="checkbox"/> None	<input type="checkbox"/> HART Communication	
Option	<input type="checkbox"/> None	<input type="checkbox"/> Position Transmitter	
Fail Option(Power)	<input type="checkbox"/> Fail Freeze	<input type="checkbox"/> Fail Safe	
Air consumption	Fail Freeze	0.01 LPM (Sup. = 0.14 MPa)	
	Fail Safe	6 LPM (Sup. = 0.14 MPa)	
Flow Capacity	Fail Freeze	60 LPM (Sup. = 0.14 MPa)	
	Fail Safe	40 LPM (Sup. = 0.14 MPa)	
Output Characteristics	Linear, EQ%, Quick Open, User set		
Housing Material	Aluminum		
Ingress Protection	IP66		
Weight	1.5kg (3.3 lb)		

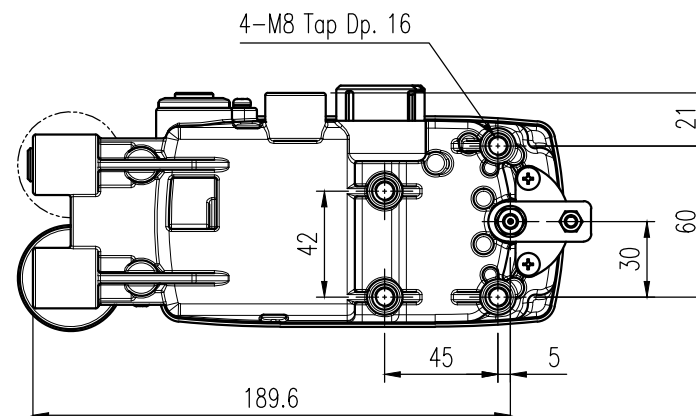
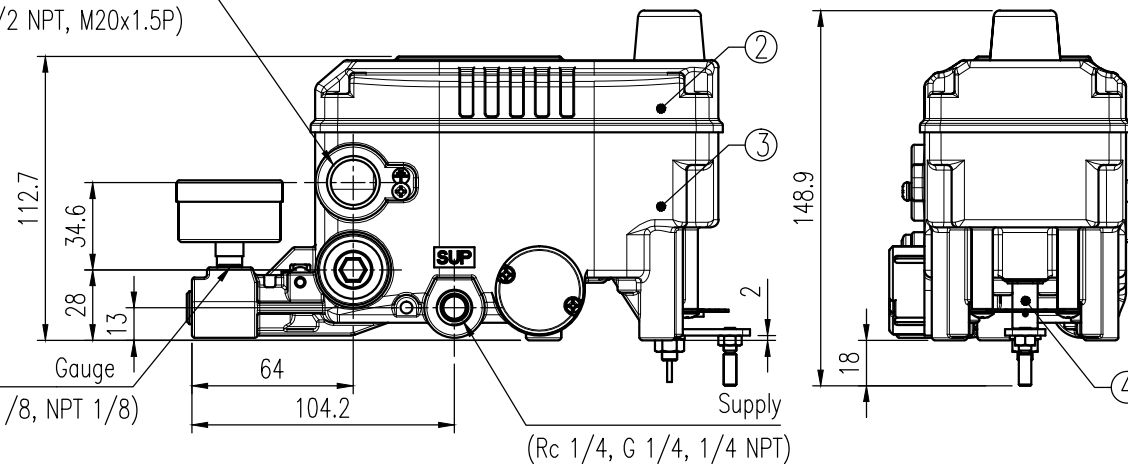


Limit switch specification

Switch Type	Mechanical Switch	Proximity Sensor
Voltage	3A-125 VAC 2A-30 VDC	8 VDC Not Detecting ≥ 3mA Detecting ≤ 1mA
Ambient Temp.	-40°C ~ 85°C	-25°C ~ 100°C



2-Conduit Entry
(G 1/2, 1/2 NPT, M20x1.5P)



NO.	PART NAME	MATERIAL	Q'TY		REMARK
			SINGLE	DOUBLE	
1	PRESSURE GAUGE	STS304	1	2	
2	BASE COVER	ALDC12		1	
3	BASE BODY	ALDC12		1	
4	MAIN SHAFT	STS303		1	

SURFACE TEXTURE	PRODUCT NAME	SMART POSITIONER		PROJECT NAME	L/S
FINISH TREATMENT	MODEL	YT-2500R			
MATERIAL	PROJECTION	SCALE	1 / 3	rotork Rotork YTC Limited GIMPO-SI, KOREA TITLE Rotary L/S internal Positioner drawing DRAWING NO. YT-2500R-02 REV. 2	
OTHERWISE NOTE	GENERAL TOLERANCE	QUANTITY	SHEET No. 1 / 1		