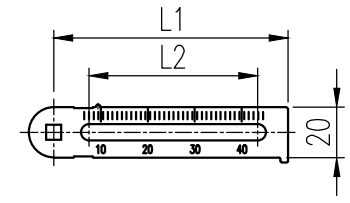


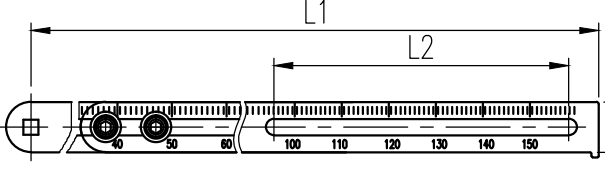
1 2 3 4 5 6 7

REV.NO.	REVISION DESCRIPTION	DRAWN / DATE	REVIEWED / DATE	APPROVED / DATE
△	issue for approval	MDK/20080229	JCS/20080229	LYH/20080229
△	Drawing arrangement	KBJ/20190903	KCH/20190903	KTJ/20190903

LEVER TYPE : 1, 2, 3



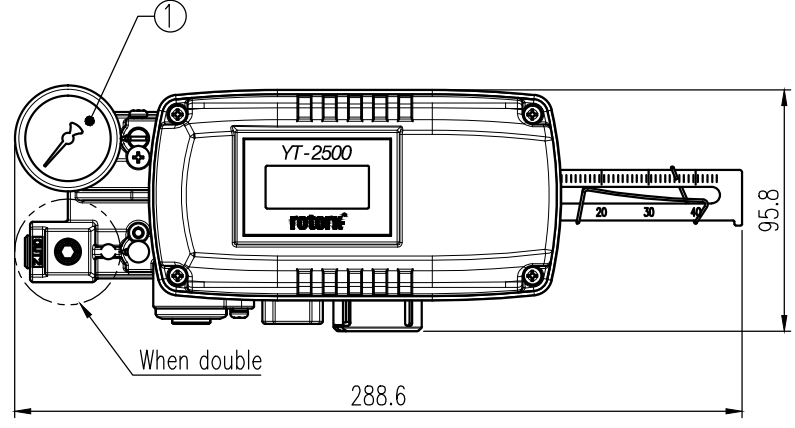
Type 4



Lever Type	Stroke(mm)	L1(mm)	L2(mm)
1	10~40	93.0	67.0
2	20~70	153.5	106.5
3	50~100	214.0	117.0
4	100~150	307.3	

Limit switch specification

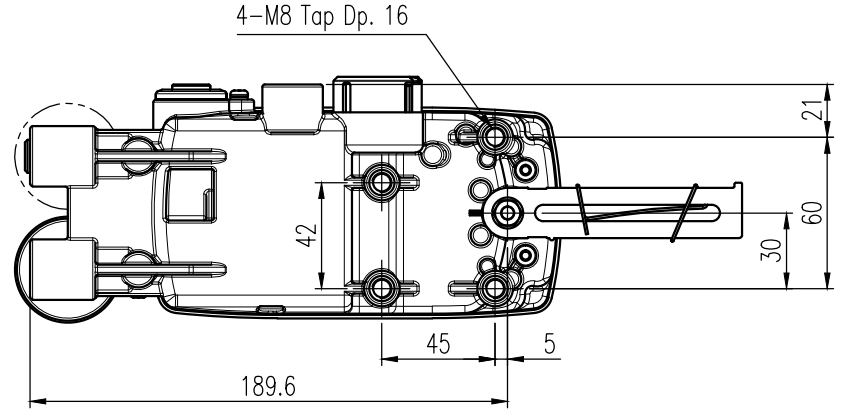
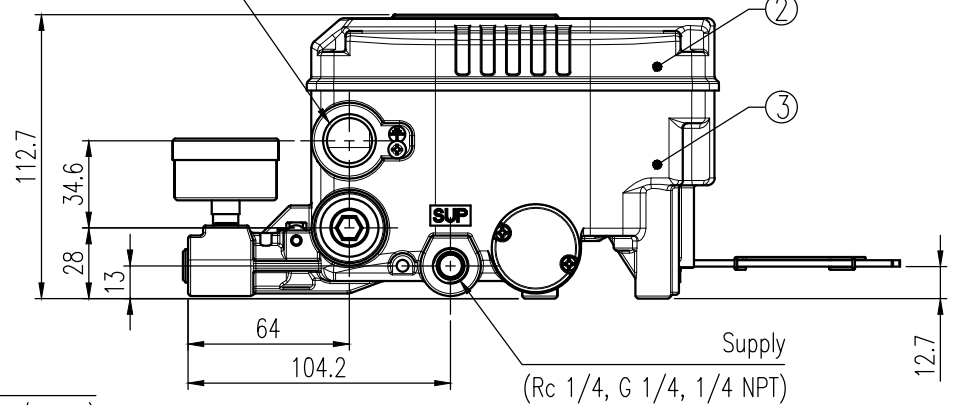
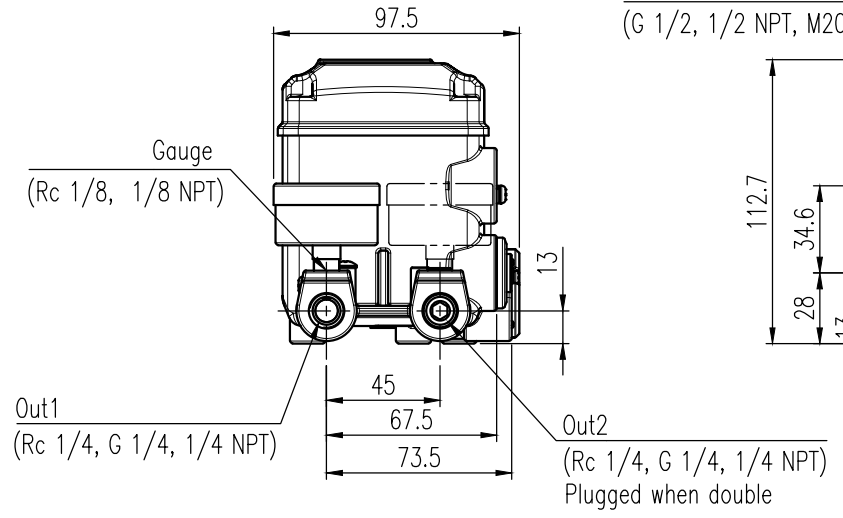
Switch Type	Mechanical Switch	Proximity Sensor
Voltage	3A-125 VAC 2A-30 VDC	8 VDC Not Detecting ≥3mA Detecting ≤1mA
Ambient Temp.	-40°C ~ 85°C	-25°C ~ 100°C



SPECIFICATIONS

Acting Type	<input type="checkbox"/> Single	<input type="checkbox"/> Double
Explosion Protection Type	<input type="checkbox"/> Non-Explosion	<input type="checkbox"/> Ex ia IIC T5/T6
Explosion Ambient Temp.	-30 ~ 60°C(T5) / -30 ~ 40°C(T6)	
Operating Temp.	-30 ~ 80°C (-22 ~ 176°F)	
Lever Type	<input type="checkbox"/> 10 ~ 40mm <input type="checkbox"/> 20 ~ 70mm <input type="checkbox"/> 50 ~ 100mm <input type="checkbox"/> 100 ~ 150mm	
Input Signal	4 ~ 20mA DC	
Supply Pressure	0.14 ~ 0.7 MPa(1.4 ~ 7 bar, 20 ~ 102 psi)	
Stroke	10 ~ 150mm (0.4" to 6")	
Impedance	Max 500 Ohm @ 20mA DC	
Conduit entry, Air Connection, Gauge Connection	G 1/2, G 1/2, G 1/2, M20x1.5P, 1/2 NPT, <input type="checkbox"/> Rc 1/4, <input type="checkbox"/> 1/4 NPT, <input type="checkbox"/> G 1/4, <input type="checkbox"/> 1/4 NPT, <input type="checkbox"/> 1/4 NPT, Rc 1/8, 1/8 NPT, 1/8 NPT, 1/8 NPT, 1/8 NPT	
Linearity	±0.5% F.S.	
Hysteresis	±0.5% F.S.	
Sensitivity	±0.2% F.S.	
Repeatability	±0.3% F.S.	
Main Board	MPU: 16 bit Micro Controller A/D Converter: 12 bit D/A Converter: 12 bit	
Communication	<input type="checkbox"/> None	<input type="checkbox"/> HART Communication
Option	<input type="checkbox"/> None	<input type="checkbox"/> Position Transmitter
Fail Option(Power)	<input type="checkbox"/> Fail Freeze	<input type="checkbox"/> Fail Safe
Air consumption	Fail Freeze	0.01 LPM (Sup. = 0.14 MPa)
	Fail Safe	6 LPM (Sup. = 0.14 MPa)
Flow Capacity	Fail Freeze	60 LPM (Sup. = 0.14 MPa)
	Fail Safe	40 LPM (Sup. = 0.14 MPa)
Output Characteristics	Linear, EQ%, Quick Open, User set	
Housing Material	Aluminum	
Ingress Protection	IP66	
Weight	1.5kg (3.3 lb)	

2-Conduit Entry  
(G 1/2, 1/2 NPT, M20x1.5P)



NO.	PART NAME	MATERIAL	Q'TY		REMARK
			SINGLE	DOUBLE	
1	PRESSURE GAUGE	STS304	1	2	
2	BASE COVER	ALDC12	1		
3	BASE BODY	ALDC12	1		
4	MAIN SHAFT	STS303	1		

SURFACE TEXTURE	PRODUCT NAME	PROJECT NAME	L/S
FINISH TREATMENT	SMART POSITIONER		
MATERIAL	MODEL	rotork Rotork YTC Limited	
OTHERWISE NOTE	PROJECTION	GIMPO-SI, KOREA	
GENERAL TOLERANCE	SCALE	TITLE	
QUANTITY	1 / 3	Linear L/S internal	
SHEET No.	1 / 1	Positioner drawing	
		DRAWING NO.	
		YT-2500L-02	
		REV.	
		1	

1 2 3 4 5 6 7 Rotork YTC-A3

2019.01.23