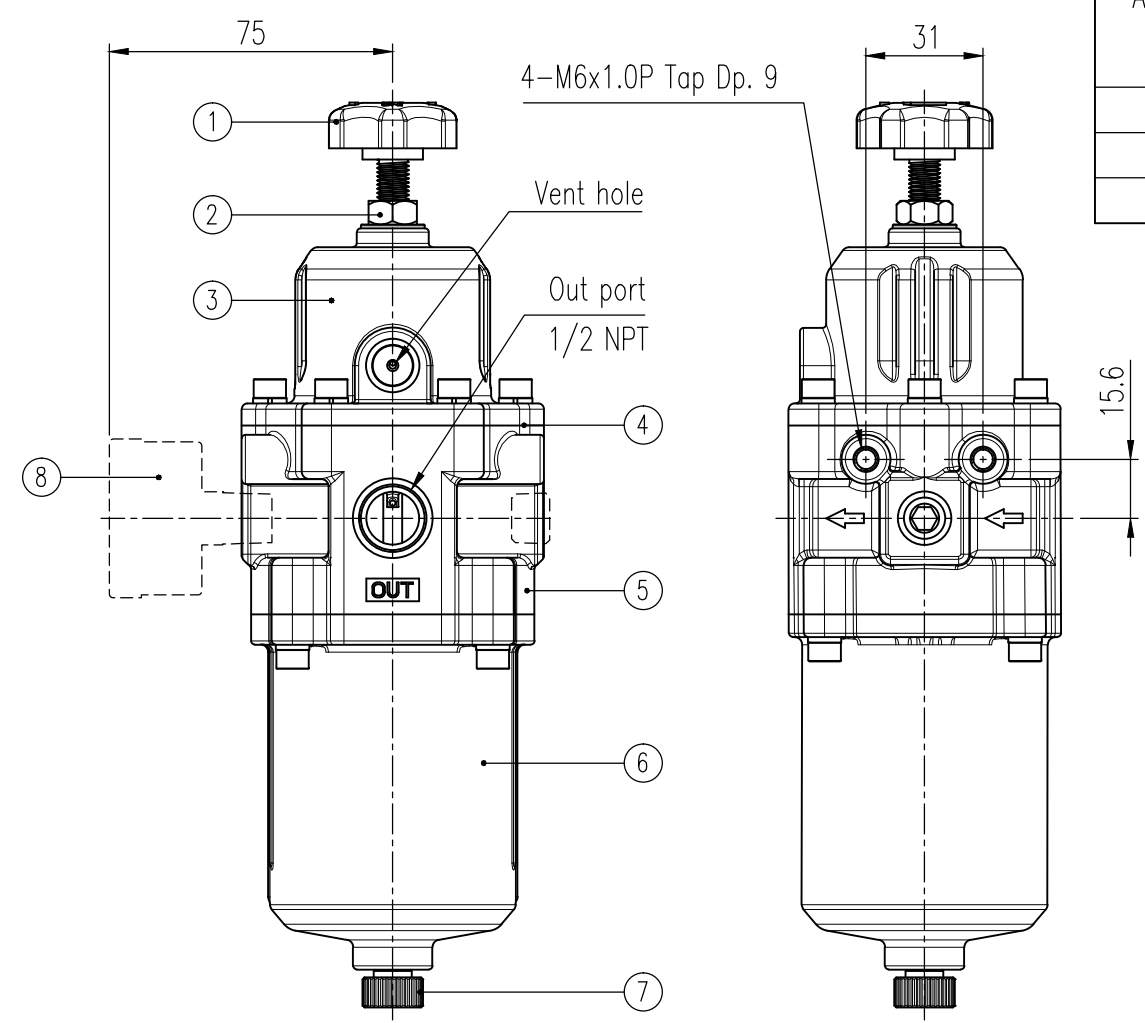
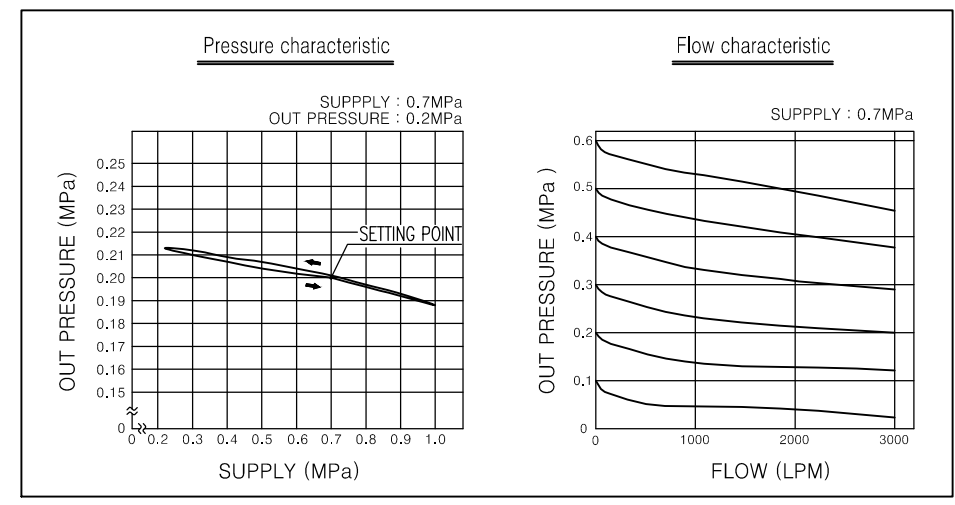


Characteristic



NOTE
1. Condensation capacity of filter case : 82cm³

REV.NO.	REVISION DESCRIPTION	DRAWN / DATE	REVIEWED / DATE	APPROVED / DATE
△1	First issued	DKMIN/20120514	JCS/20120514	LYH/20120514
	Omission in the middle			
△2	Specification modified	OSS/20160720	JCS/20160720	KTJ/20160720
△3	Company name changed ...	KSH/20190925	KCH/20190925	KTJ/20190925

Specification

Item	Description
Max. supply pressure	1.7 MPa (17 bar)
Max. out pressure	<input type="checkbox"/> A : 0 ~ 0.42 MPa (4.2 bar) <input type="checkbox"/> B : 0 ~ 0.84 MPa (8.4 bar)
Air connection	1/2 NPT
Gauge connection	1/4 NPT
Ambient temperature	Standard <input type="checkbox"/> -20 ~ 70 °C (-4 ~ 158 °F) High <input type="checkbox"/> -20 ~ 120 °C (-4 ~ 248 °F) Low <input type="checkbox"/> -40 ~ 70 °C (-40 ~ 158 °F) Arctic <input type="checkbox"/> -50 ~ 70 °C (-58 ~ 158 °F)
Min. filtering size	5 Micron
Material	Stainless Steel 316
Weight	2.2kg (4.8 lb)

No.	Part name	Material	Q'ty	Remark
1	Adjust bolt	STS304+PC	1	
2	Nut(M8x1.0P)	STS316	1	
3	Base cover	STS316	1	
4	Diaphragm ass'y	NBR Silicone	1	Standard Low/High/Arctic Temp.
5	Base body	STS316	1	
6	Filter case	STS316	1	
7	Drain plug	STS316	1	

Pressure gauge

No.	Max. out pressure	Part name	Specification	Material	Q'ty
8		<input type="checkbox"/> None			
	A type	<input type="checkbox"/> Agage-28	1/4 NPT, 0.4 MPa	STS316	1
	B type	<input type="checkbox"/> Agage-30	1/4 NPT, 1.0 MPa		

SURFACE TEXTURE		PRODUCT NAME Air filter regulator		PROJECT NAME	
FINISH TREATMENT		MODEL YT-225		rotork [®] Rotork YTC Limited GMP0-SI, KOREA	
MATERIAL		PROJECTION	SCALE 1 / 2	TITLE Standard drawing	
OTHERWISE NOTE		GENERAL TOLERANCE	QUANTITY	DRAWING NO. YT-225-01	REV. 5
			SHEET No. 1 / 1	2019.01.23	