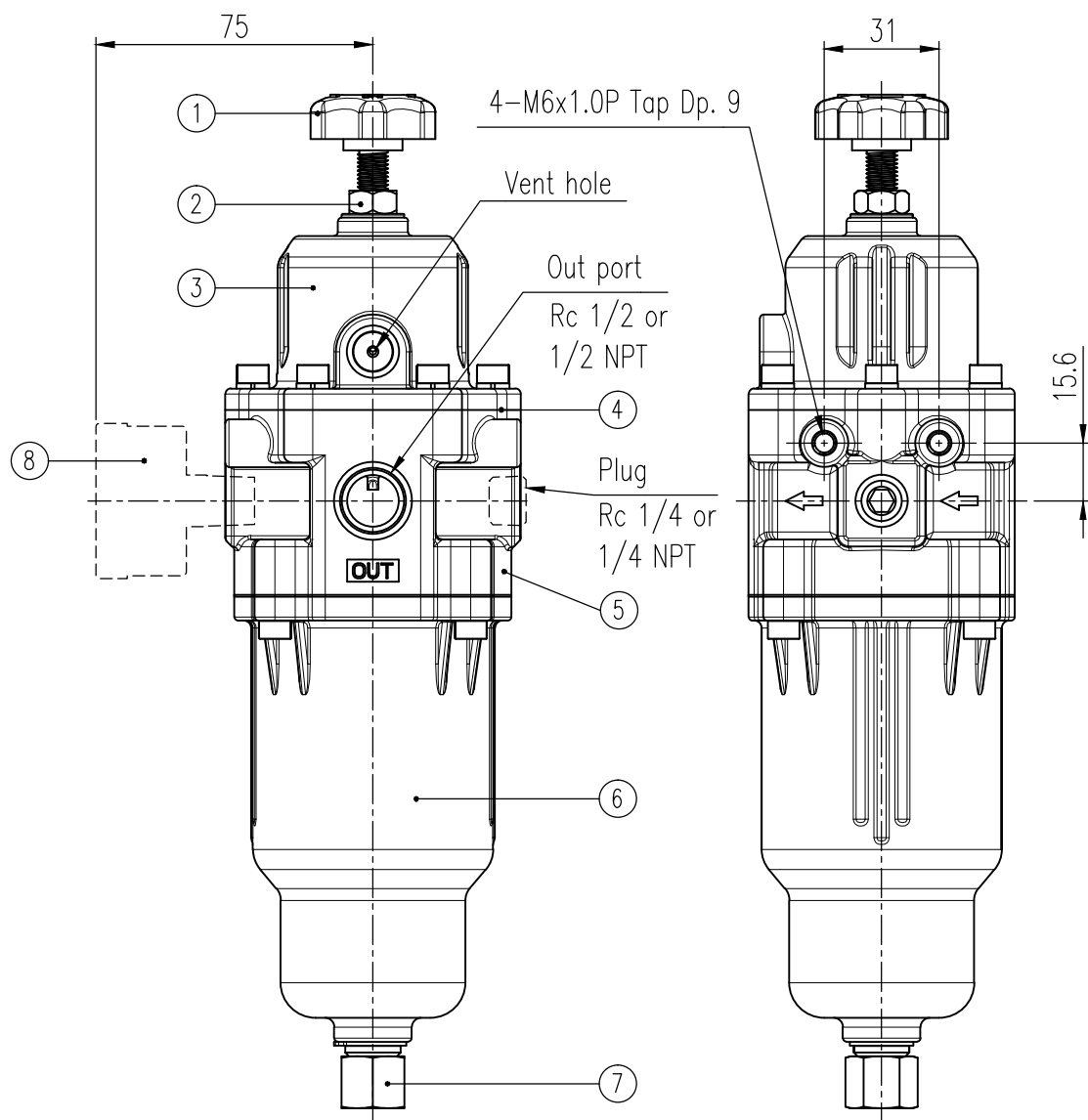
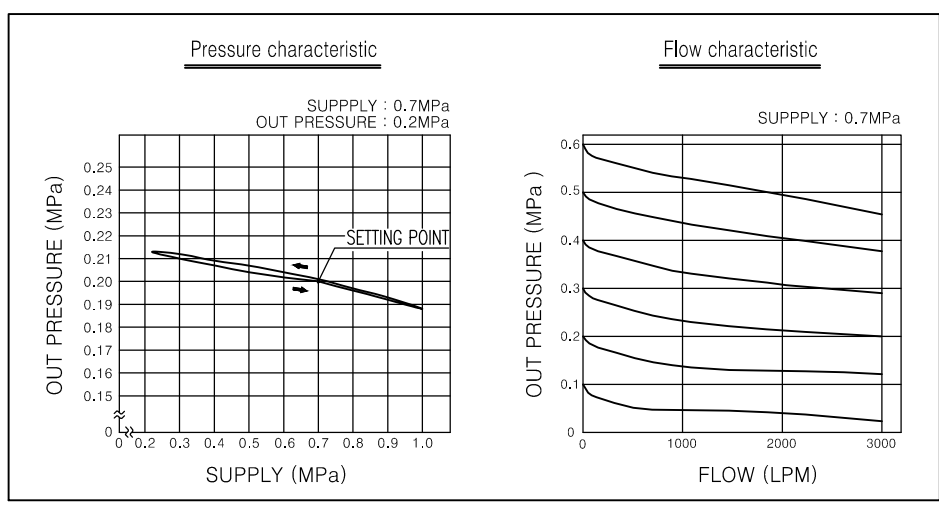


**Characteristic**



REV.NO.	REVISION DESCRIPTION	DRAWN / DATE	REVIEWED / DATE	APPROVED / DATE
△1	First issued	MDK/120531	JCS/120531	LYH/120531
	Omission in the middle			
△1	Drawing arrangement	KSH/20160512	KCH/20160512	JCS/20160512
△1	Company name changed ...	KSH/20190925	KCH/20190925	KTJ/20190925

**Specification**

Item	Description
Max. supply pressure	1.7 MPa (17 bar)
Max. out pressure	<input type="checkbox"/> A : 0 ~ 0.42 MPa (4.2 bar)
	<input type="checkbox"/> B : 0 ~ 0.84 MPa (8.4 bar)
Air connection, Gauge connection	<input type="checkbox"/> Rc 1/4 <input type="checkbox"/> 1/4 NPT
Ambient temperature	Standard <input type="checkbox"/> -20 ~ 70 °C (-4 ~ 158 °F)
Min. filtering size	5 Micron
Housing material	Aluminum
Weight	0.94kg (2.1 lb)

No.	Part name	Material	Q'ty	Remark
1	Adjust bolt	STS304+PC	1	
2	Nut(M8x1.0P)	STS304	1	
3	Base cover	ALDC12	1	
4	Diaphragm ass'y	NBR		
5	Base body	ALDC12	1	
6	Auto drain-filter case	ALDC12	1	
7	Auto drain-drain plug	STS304	1	

**Pressure gauge**

No.	Max. out pressure	Part name	Specification	Material	Q'ty	
8		<input type="checkbox"/> None				
		A type	<input type="checkbox"/> Agage-05	Rc 1/4, 0.4 MPa	STS304	1
			<input type="checkbox"/> Agage-08	1/4 NPT, 0.4 MPa		
		B type	<input type="checkbox"/> Agage-07	Rc 1/4, 1.0 MPa		
<input type="checkbox"/> Agage-10	1/4 NPT, 1.0 MPa					

SURFACE TEXTURE		PRODUCT NAME		PROJECT NAME	
FINISH TREATMENT		Air filter regulator			
MATERIAL		MODEL		rotork® Rotork YTC Limited	
OTHERWISE NOTE		PROJECTION		GIMPO-SI, KOREA	
GENERAL TOLERANCE		SCALE		TITLE	
		1 / 2		Auto drain type drawing	
		SHEET No.		DRAWING NO.	
		1 / 1		YTC-220-2	
				REV.	
				5	