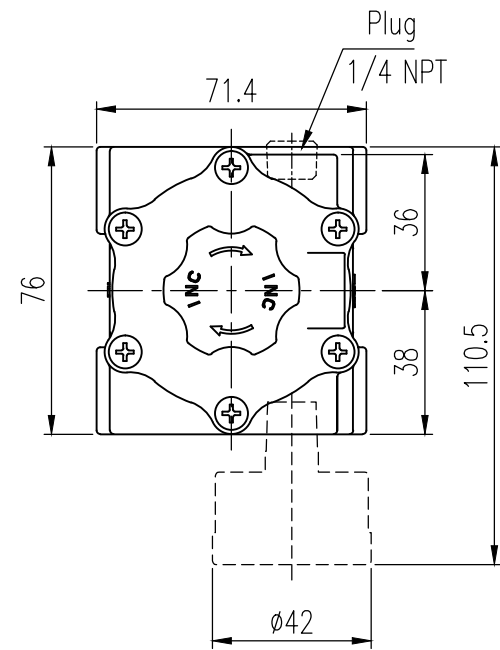
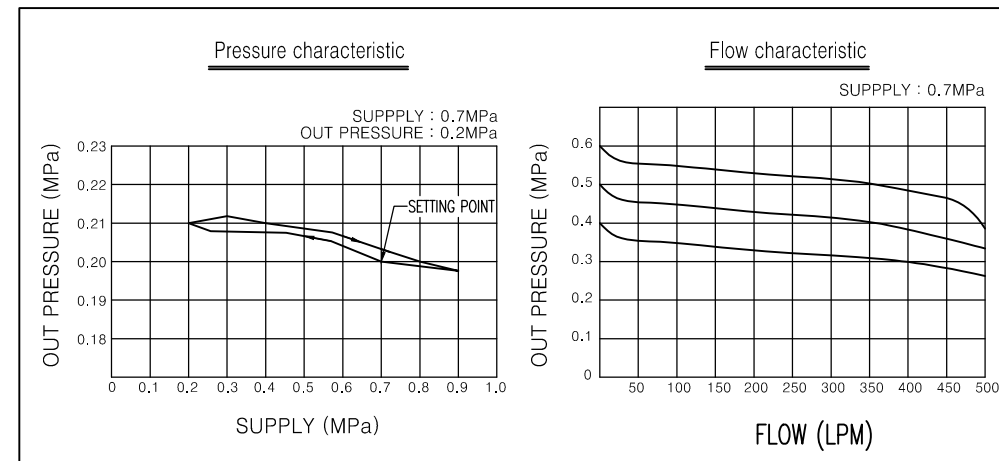


REV.NO.	REVISION DESCRIPTION	DRAWN / DATE	REVIEWED / DATE	APPROVED / DATE
△1	First issued	HSS/20050602	KCH/20050602	LYH/20050602
	Omission in the middle			
△2	Drawing arrangement	KSH/20160512	KCH/20160512	JCS/20160512
△3	Company name changed ...	KSH/20190925	KCH/20190925	KTJ/20190925

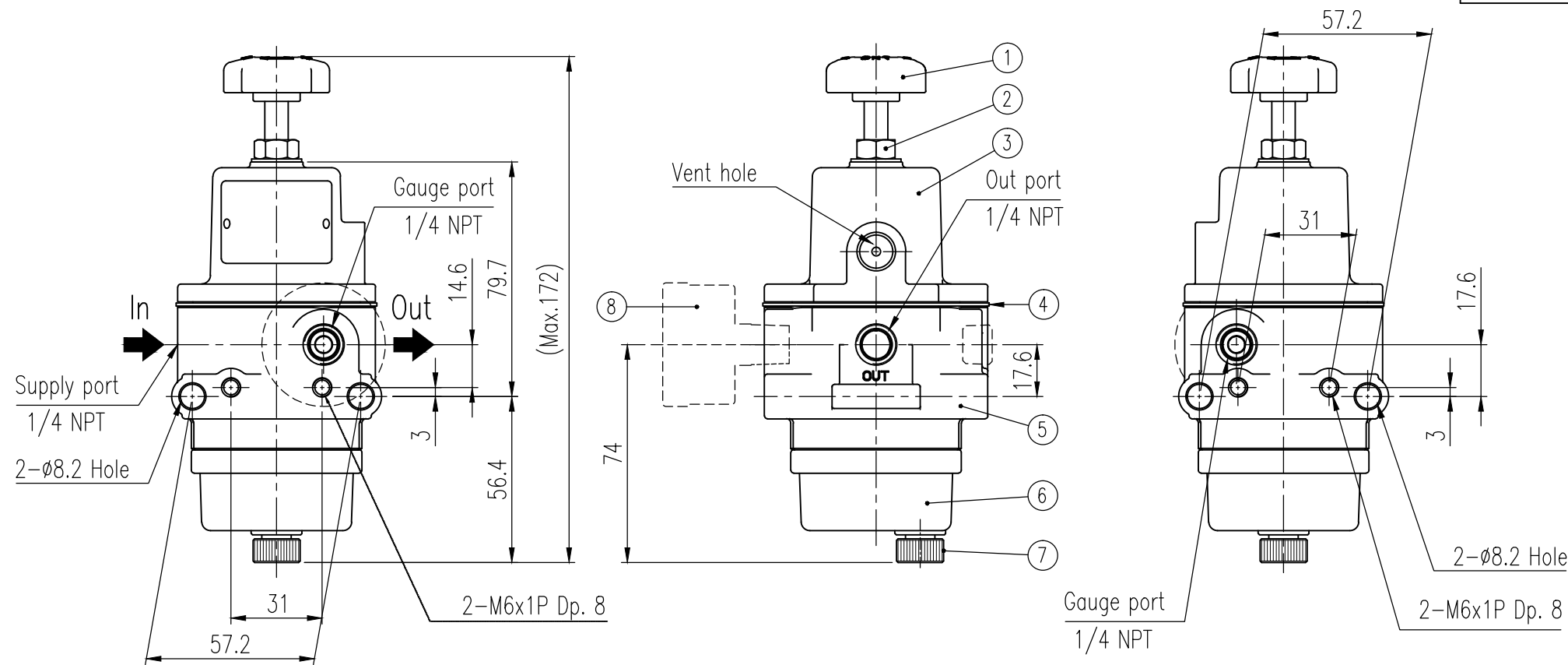


**Characteristic**



**Specification**

Item	Description
Max. supply pressure	1.7 MPa (17 bar)
Max. out pressure	<input type="checkbox"/> A : 0 ~ 0.42 MPa (4.2 bar)
	<input type="checkbox"/> B : 0 ~ 0.84 MPa (8.4 bar)
Air connection	1/4 NPT
Gauge connection	1/4 NPT
Ambient temperature	Standard <input type="checkbox"/> -20 ~ 70 °C (-4 ~ 158 °F)
	High <input type="checkbox"/> -20 ~ 120 °C (-4 ~ 248 °F)
	Low <input type="checkbox"/> -40 ~ 70 °C (-40 ~ 158 °F)
	Arctic <input type="checkbox"/> -50 ~ 70 °C (-58 ~ 158 °F)
Min. filtering size	5 Micron
Housing material	Stainless Steel 316
Weight	1.5kg (3.3 lb)



No.	Part name	Material	Q'ty	Remark
1	Adjust bolt	STS304+PC	1	
2	Nut(M8x1.0P)	STS316	1	
3	Base cover	STS316	1	
4	Diaphragm ass'y	NBR	1	Standard
		Silicone		Low/High/Arctic Temp.
5	Base body	STS316	1	
6	Filter case	STS316	1	
7	Drain plug	STS316	1	

**Pressure gauge**

No.	Max. out pressure	Part name	Specification	Material	Q'ty	
8	<input type="checkbox"/> None	A type	<input type="checkbox"/> Agage-28	1/4 NPT, 0.4 MPa	STS316	
			<input type="checkbox"/> Agage-30			1/4 NPT, 1.0 MPa

**NOTE**

1. Condensation capacity of filter case : 32cm<sup>3</sup>

SURFACE TEXTURE		PRODUCT NAME		PROJECT NAME	
FINISH TREATMENT		AIR FILTER REGULATOR		-	
MATERIAL		MODEL		rotork <sup>®</sup> Rotork YTC Limited	
OTHERWISE NOTE		PROJECTION		GIMPO-SI, KOREA	
GENERAL TOLERANCE		SCALE		TITLE	
		1 / 2		Standard drawing	
		SHEET No.		DRAWING NO.	
		1 / 1		YT-205-01	
		QUANTITY		REV.	
				7	