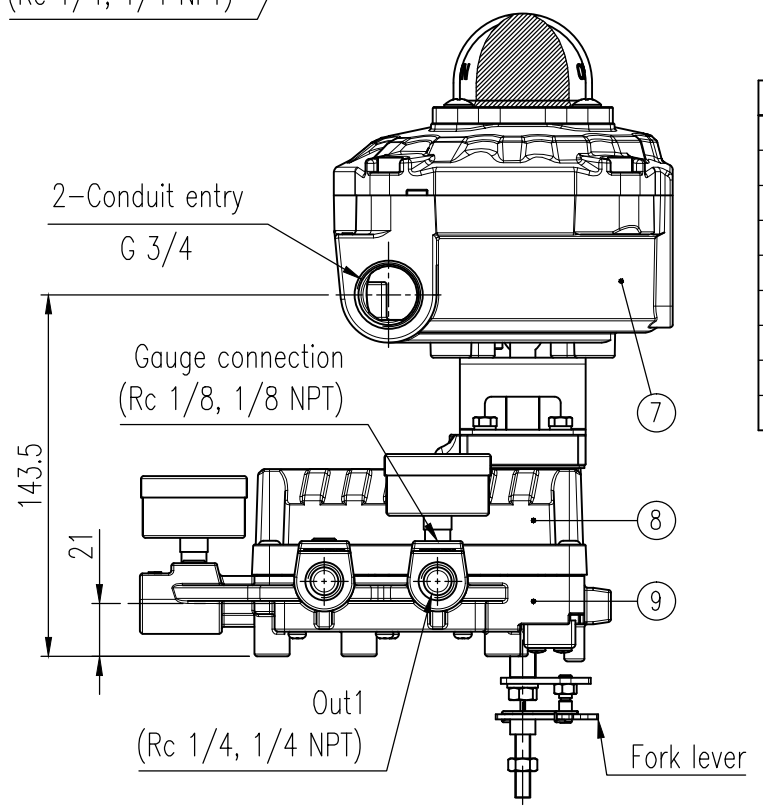
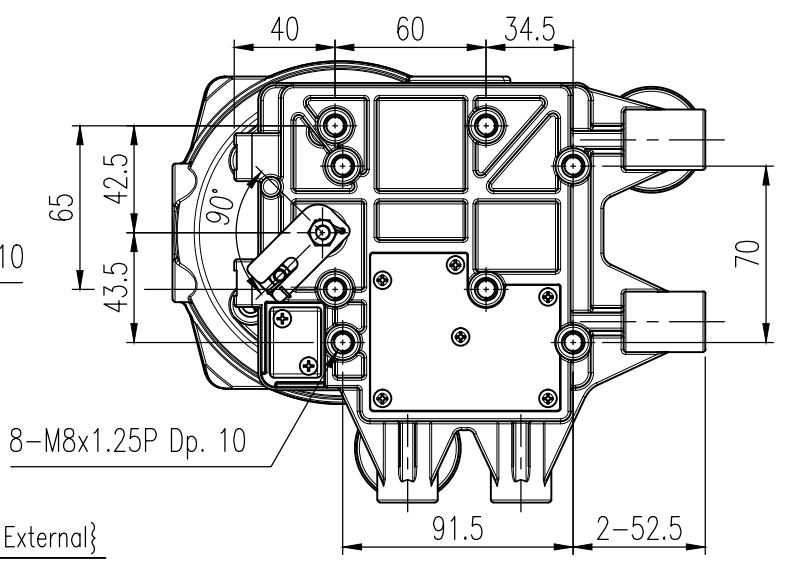
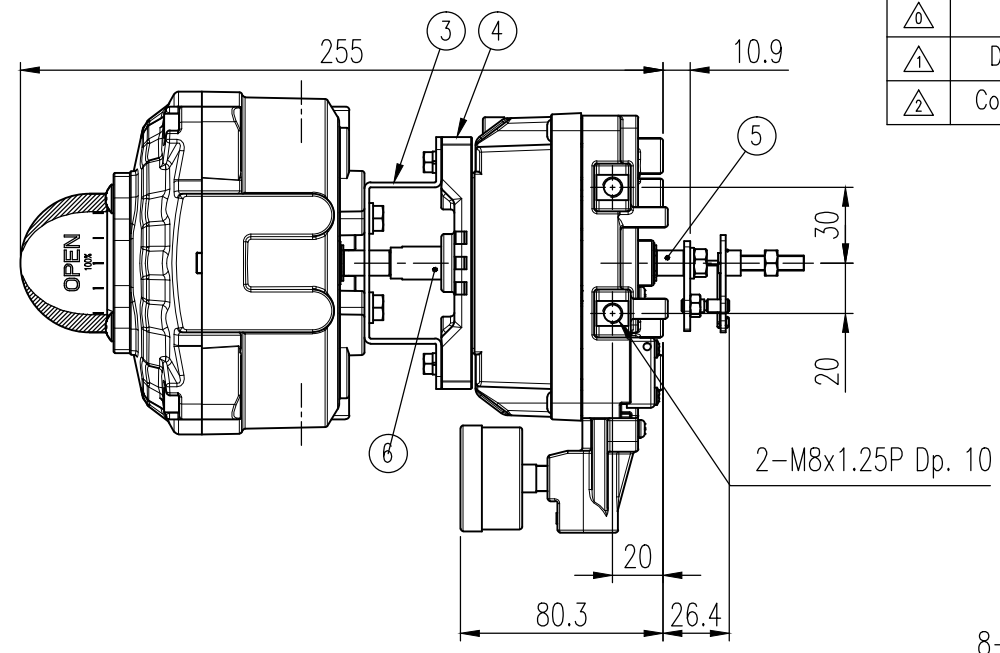
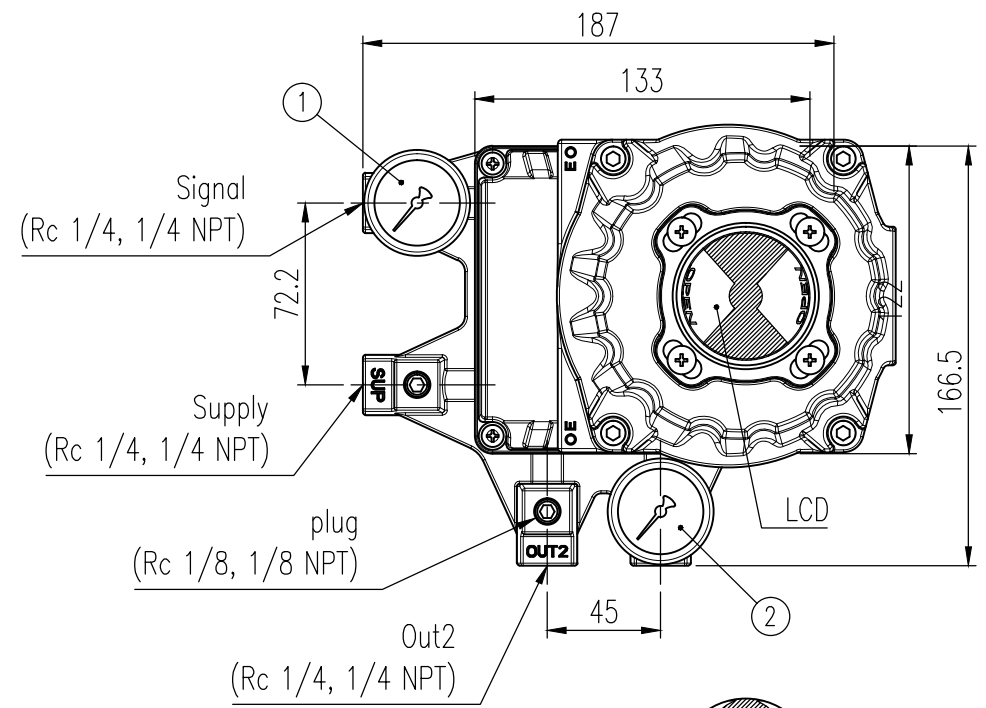


REV.NO.	REVISION DESCRIPTION	DRAWN / DATE	REVIEWED / DATE	APPROVED / DATE
△	First Issued	HSS/20090916	JCS/20090916	LYH/20090916
△	Drawing arrangement	LJS/20110425	JCS/20090916	LYH/20090916
△	Company name changed	KCH/20191104	JCS/20191104	KTJ/20191404



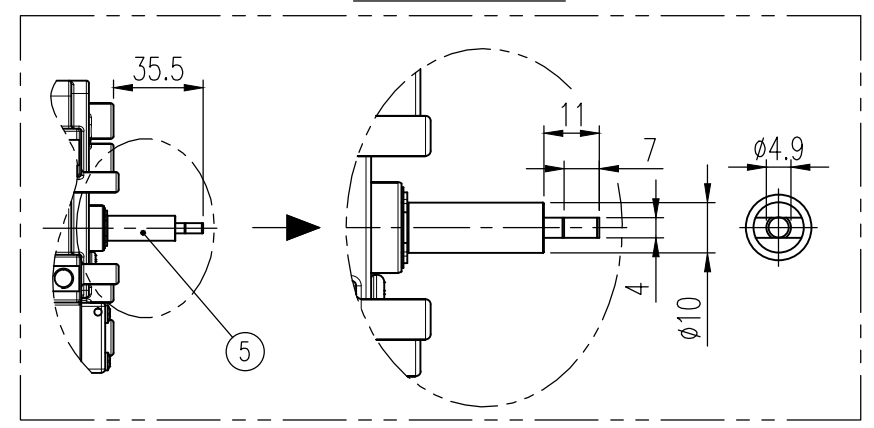
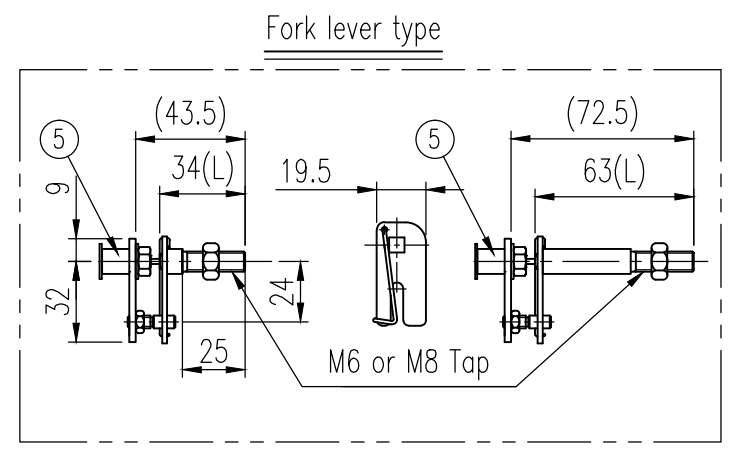
No.	Part name	Material	Q'ty	Remark
1	Pressure gauge	STS304	1	Signal, 0.2MPa
2	Pressure gauge	STS304	1	Out1, 0.8 MPa
3	Bracket	STS304	1	
4	Bracket block	ALDC12	1	
5	Main shaft	STS303	1	
6	Adapter	STS303	1	
7	YT-870	-	1	
8	Base cover	ALDC12	1	
9	Base body	ALDC12	1	

Specification {YT-870(Limit switch & SPTM) External}

Model		YT-870
Limit Switch	Switch Type	Mechanical Switch(2 x SPDT)
	Switch Rating	SS5GL (OMRON)
		AC
DC	250V 0.2A, 125V 0.4A, 30VDC 4A, 14VDC 5A, 8VDC 5A	
SPTM Option	Terminal	8 Point
	Input Type	2 Wire
	Load Resistance	$R_L \leq \frac{V_s[V] - 9[V]}{I [mA]}$
	Supply Voltage	9~28V DC
	Noise Range	50mV p.p
Ingress Protection		IP67
Explosion Proof		Flameproof enclosure: KCs, ATEX, IECEx, CSA. Refer to certifications for details.
Ambient Temp.		-20 ~ 60°C (-4 ~ 140°F)
Conduit entry		G 3/4
Housing Material		Aluminum
Weight		1.5kg (3.3 lb)

Specification (Positioner)

Applicable Fluid	Air	
Acting Type	<input type="checkbox"/> Single	<input type="checkbox"/> Double
Input Signal	0.02 ~ 0.1MPa (0.2 ~ 1bar)	
Supply Pressure	0.14 ~ 0.7MPa (1.4 ~ 7bar)	
Stroke	55 ~ 100"	
Air Connection, Gauge Connection	<input type="checkbox"/> Rc 1/4, Rc 1/8	<input type="checkbox"/> 1/4 NPT, 1/8 NPT
Operating Temp.	Standard	<input type="checkbox"/> -20°C ~ 70°C (-4°F ~ 158°F)
	Low	<input type="checkbox"/> -40°C ~ 70°C (-40°F ~ 158°F)
Pressure Gauge	Signal	0.2MPa
	Output 1	<input type="checkbox"/> 0.8MPa : Standard <input type="checkbox"/> 0.4MPa : Option
Linearity	±2.0% F.S.	
Hysteresis	±1.0% F.S.	
Sensitivity	±0.5% F.S.	
Repeatability	±0.5% F.S.	
Flow Capacity	> 80 LPM (Sup.=0.14MPa, 1.4bar)	
Air Consumption	< 2.5 LPM (Sup.=0.14MPa, 1.4bar)	
Ingress Protection	IP66	
Weight	1.7kg (3.1 lb)	
Feedback connection type	<input type="checkbox"/> M6x34L	<input type="checkbox"/> M6x63L
	<input type="checkbox"/> M8x34L	<input type="checkbox"/> M8x63L
Housing Material	Aluminum	



SURFACE TEXTURE		PRODUCT NAME		PROJECT NAME	
-	-	P/P Positioner		-	
FINISH TREATMENT		MODEL		TITLE	
-		YT-1200R + YT-870		Explosion proof, External L/S + SPTM, Rotary Positioner drawing	
MATERIAL		PROJECTION	SCALE	DRAWING NO.	
-		3rd	1 / 3	YT-1200R-06	
OTHERWISE NOTE		GENERAL TOLERANCE	QUANTITY	SHEET No.	REV.
-		-	1	1 / 1	2