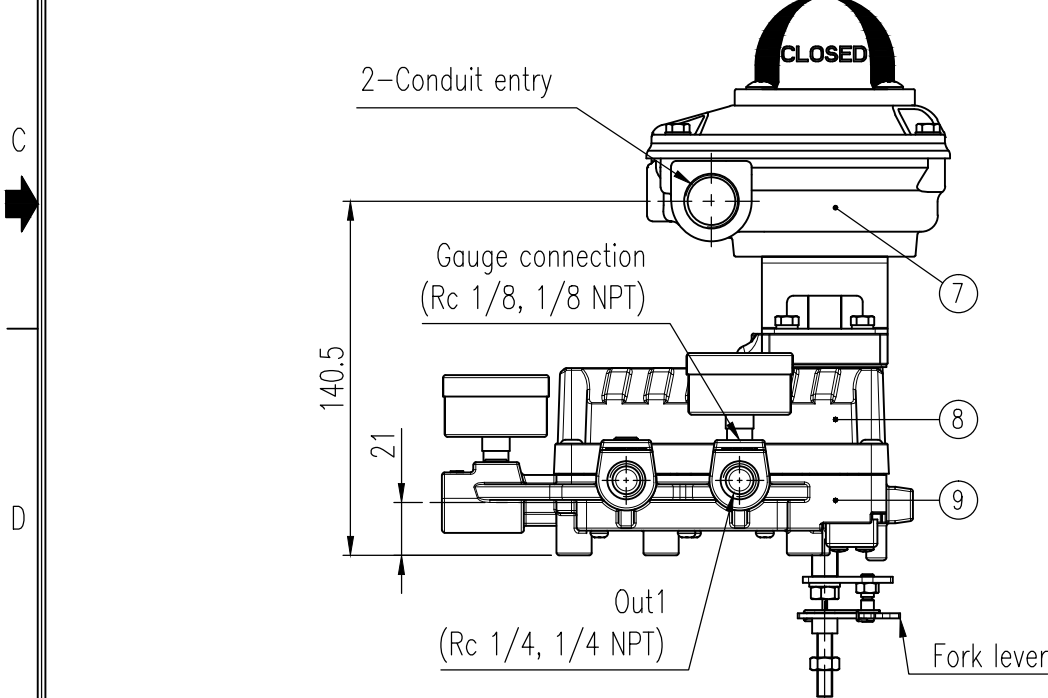


| REV.NO. | REVISION DESCRIPTION | DRAWN / DATE | REVIEWED / DATE | APPROVED / DATE |
|---------|----------------------|--------------|-----------------|-----------------|
| △1 | First Issued | HSS/20070927 | JCS/20070927 | LYH/20070927 |
| △1 | Drawing arrangement | HSS/20080305 | JCS/20080305 | LYH/20080305 |
| △1 | Drawing arrangement | LJS/20110425 | JCS/20110425 | KTJ/20110425 |
| △1 | Company name changed | KCH/20191104 | JCS/20191104 | KTJ/20191104 |



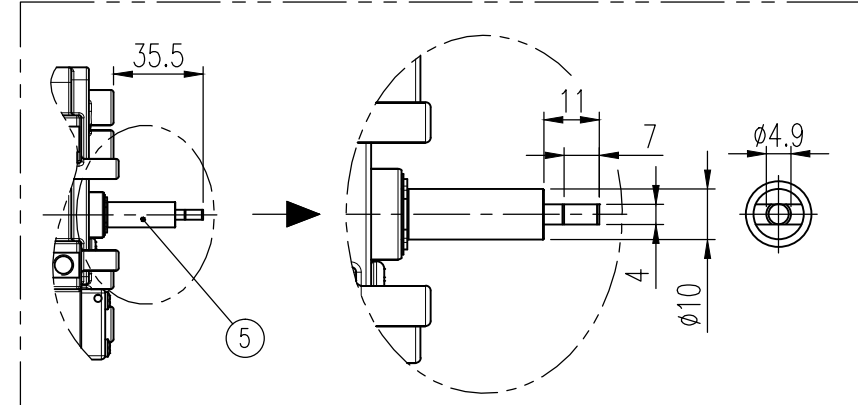
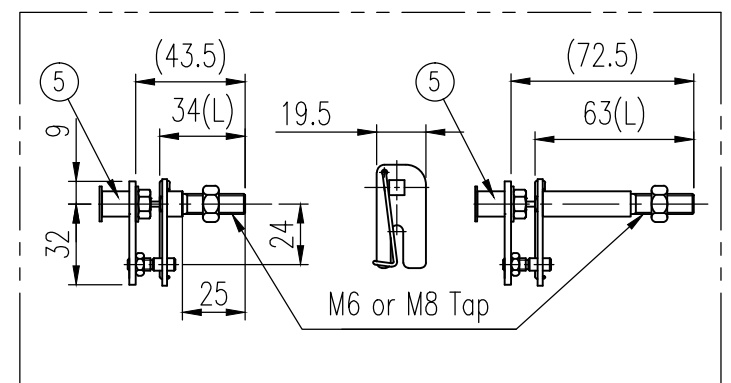
| No. | Part name | Material | Q'ty | Remark |
|-----|----------------|----------|------|----------------|
| 1 | Pressure gauge | STS304 | 1 | Signal, 0.2MPa |
| 2 | Pressure gauge | STS304 | 1 | Out1, 0.8 MPa |
| 3 | Bracket | STS304 | 1 | |
| 4 | Bracket block | ALDC12 | 1 | |
| 5 | Main shaft | STS303 | 1 | |
| 6 | Adapter | STS303 | 1 | |
| 7 | YT-850 | - | 1 | |
| 8 | Base cover | ALDC12 | 1 | |
| 9 | Base body | ALDC12 | 1 | |

Specification (YT-850 external)

| Limit switch external | |
|-----------------------|---|
| Switch Type | Mechanical Type (2 x SPDT) |
| Model No. | SS5GL(OMRON) |
| Switch Rating | AC 250V 3A, 125V 5A |
| | DC 250V 0.2A, 125V 0.4A, 30V 4A, 14V 5A, 8V 5A |
| Terminal | 8 Points |
| Conduit Entry | <input type="checkbox"/> G 1/2 <input type="checkbox"/> 1/2 NPT <input type="checkbox"/> M20x1.5P |
| Explosion Proof | Non-Explosion |
| Ingress Protection | IP67 |
| Ambient Temperature | -25°C ~ 70°C (-13°F ~ 158°F) |

Specification (Positioner)

| | | |
|----------------------------------|---|--|
| Applicable Fluid | Air | |
| Acting Type | <input type="checkbox"/> Single | <input type="checkbox"/> Double |
| Input Signal | 0.02 ~ 0.1MPa (0.2 ~ 1bar) | |
| Supply Pressure | 0.14 ~ 0.7MPa (1.4 ~ 7bar) | |
| Stroke | 55 ~ 100° | |
| Air Connection, Gauge Connection | <input type="checkbox"/> Rc 1/4, Rc 1/8 | <input type="checkbox"/> 1/4 NPT, 1/8 NPT |
| | | |
| Operating Temp. | Standard | <input type="checkbox"/> -20°C ~ 70°C (-4°F ~ 158°F) |
| | Low | <input type="checkbox"/> -40°C ~ 70°C (-40°F ~ 158°F) |
| Pressure Gauge | Signal | 0.2MPa |
| | Output 1 | <input type="checkbox"/> 0.8MPa : Standard <input type="checkbox"/> 0.4MPa : Option |
| Linearity | ±2.0% F.S. | |
| Hysteresis | ±1.0% F.S. | |
| Sensitivity | ±0.5% F.S. | |
| Repeatability | ±0.5% F.S. | |
| Flow Capacity | > 80 LPM (Sup.=0.14MPa, 1.4bar) | |
| Air Consumption | < 2.5 LPM (Sup.=0.14MPa, 1.4bar) | |
| Ingress Protection | IP66 | |
| Weight | 1.7kg (3.1 lb) | |
| Feedback connection type | <input type="checkbox"/> M6x34L | <input type="checkbox"/> M6x63L |
| | <input type="checkbox"/> M8x34L | <input type="checkbox"/> M8x63L |
| Housing Material | Aluminum | |



| | | | |
|-------------------|----------------|---|---|
| SURFACE TEXTURE | PRODUCT NAME | PROJECT NAME | rotork Rotork YTC Limited GMP-O-SI, KOREA |
| FINISH TREATMENT | P/P Positioner | | |
| MATERIAL | MODEL | TITLE | |
| OTHERWISE NOTE | PROJECTION | Non-explosion, External L/S + Rotary Positioner drawing | |
| GENERAL TOLERANCE | SCALE | DRAWING NO. | |
| | 3rd | YTC-1200R-05 | |
| | 1 / 3 | REV. | |
| | 1 / 1 | 3 | |