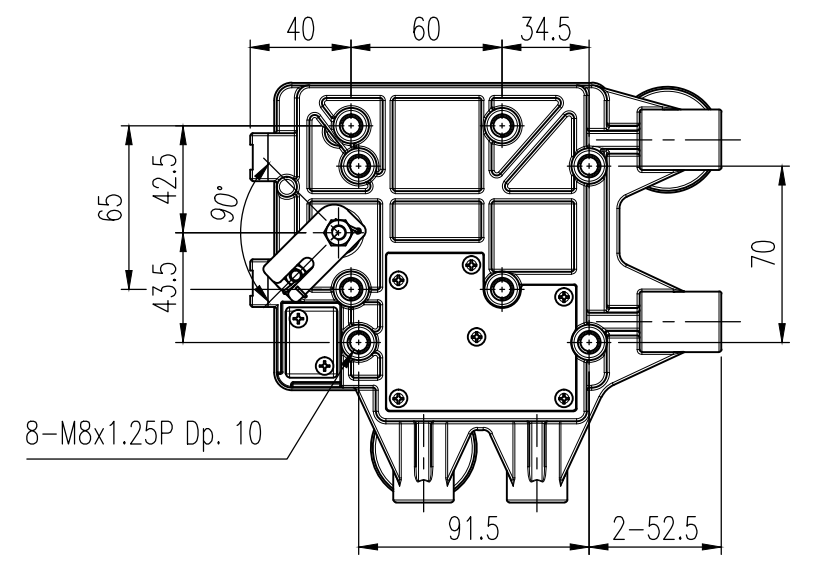
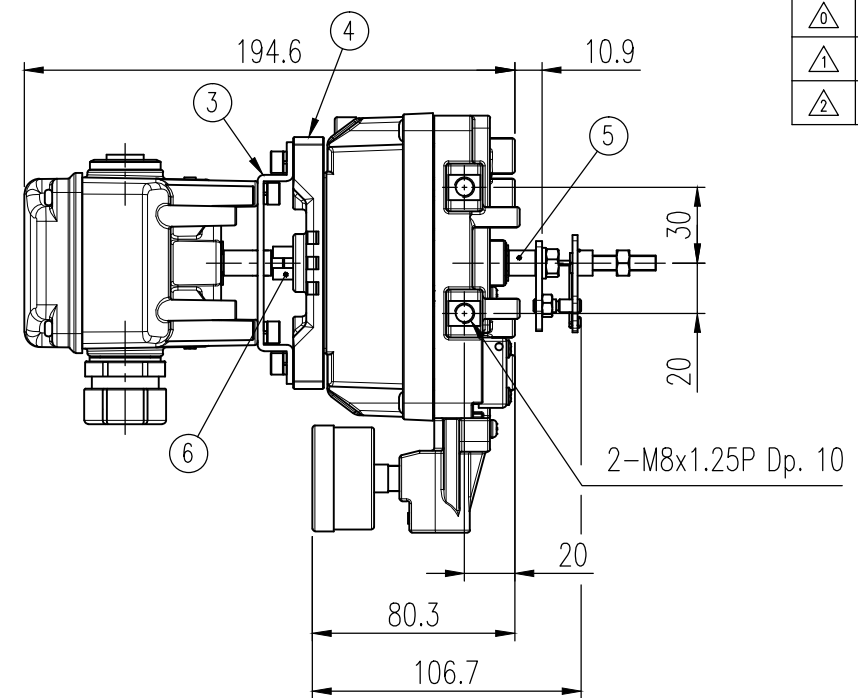
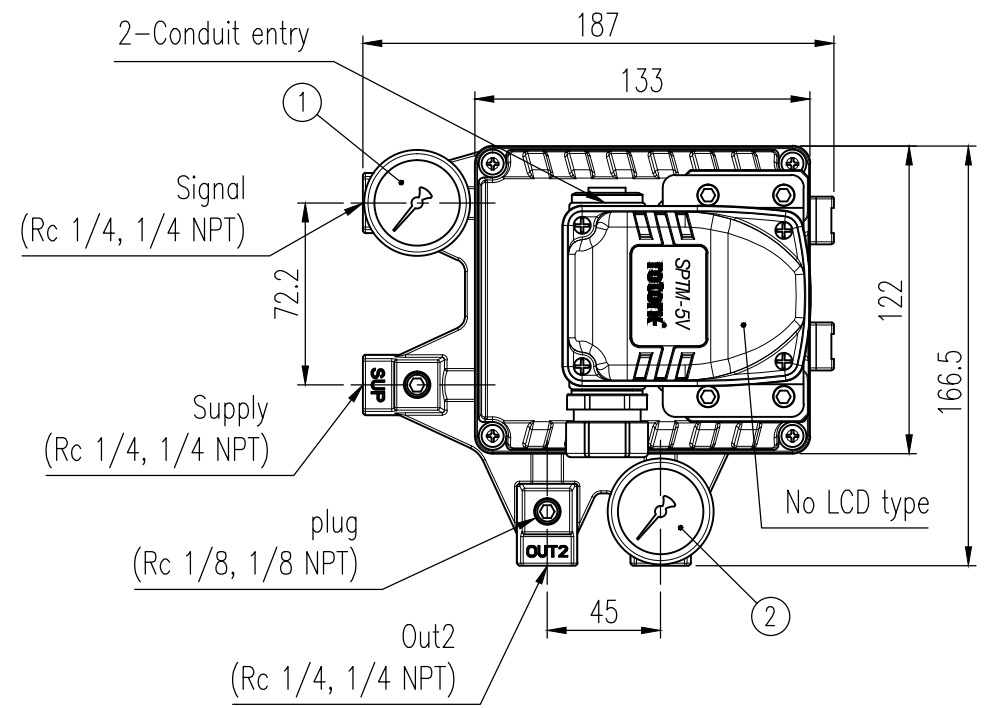


REV.NO.	REVISION DESCRIPTION	DRAWN / DATE	REVIEWED / DATE	APPROVED / DATE
△1	First Issued	HSS/20080305	JCS/20080305	LYH/20080305
△2	Drawing arrangement	KBJ/20121109	JCS/20121109	LYH/20121109
△3	Company name changed	KCH/20191104	JCS/20191104	KTJ/20191104



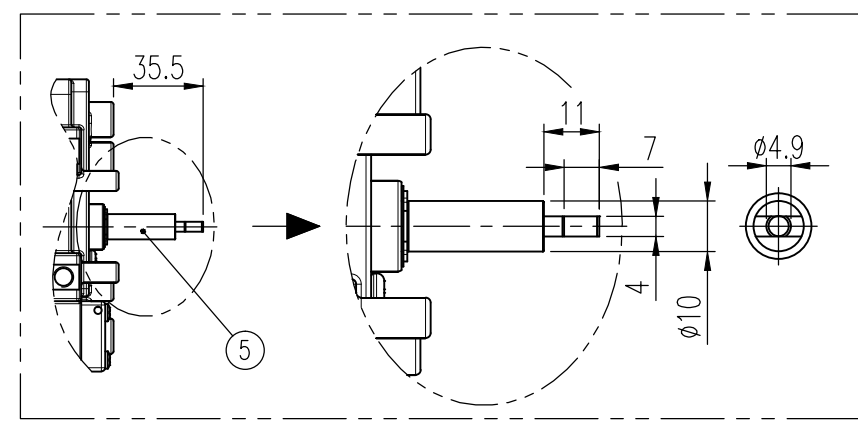
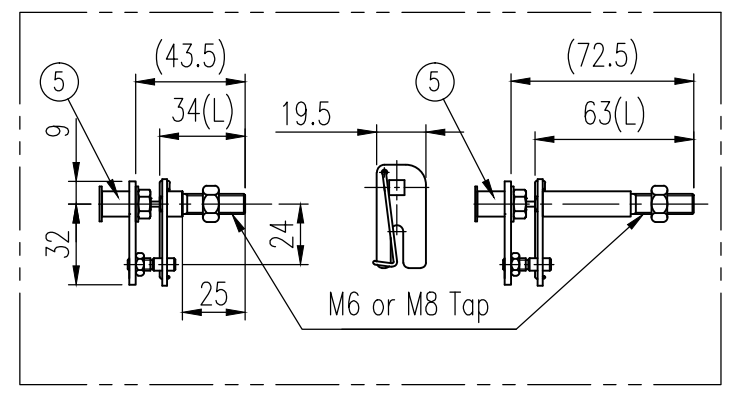
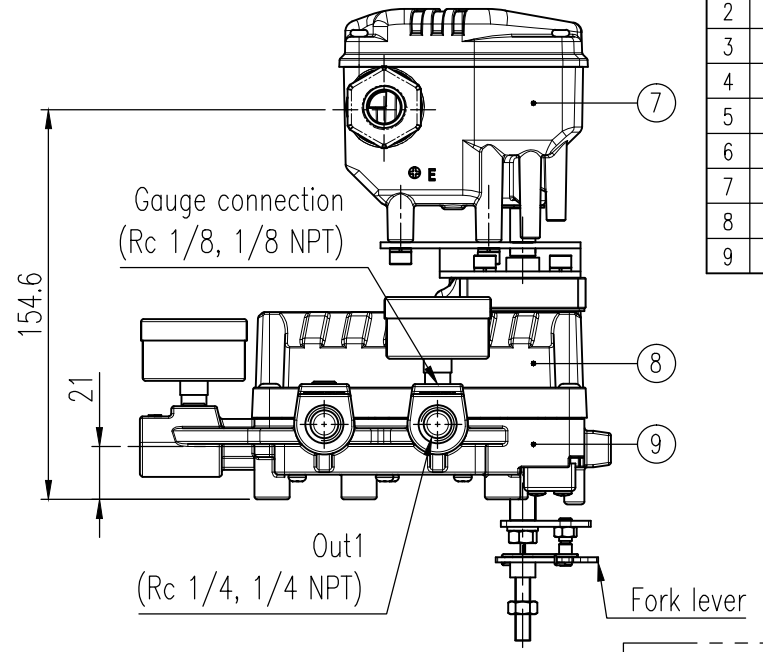
No.	Part name	Material	Q'ty	Remark
1	Pressure gauge	STS304	1	Signal, 0.2MPa
2	Pressure gauge	STS304	1	Out1, 0.8 MPa
3	Bracket	STS304	1	
4	Bracket block	ALDC12	1	
5	Main shaft	STS303	1	
6	Adapter	STS303	1	
7	SPTM-5V	-	1	
8	Base cover	ALDC12	1	
9	Base body	ALDC12	1	

Specifications (SPTM-5V External)

Smart Position Transmitter	
Connection Type	2 Wire
Input Stroke	55 ~ 100°
LCD Option	<input type="checkbox"/> LCD <input type="checkbox"/> No LCD
Output Signal	4 ~ 20 mA DC
External Load Resistance	$R_{ext} \leq (V_s - 9) / 20mA, 750 \text{ ohms @ } V_s = 24V$
Supply Voltage	9 ~ 28V DC
Conduit Entry	G 1/2
Explosion Proof	Non-Explosion
Ingress Protection	IP 67
Ambient temperature	-40 ~ 85°C (-40 ~ 185°F)
Linearity	±1% F.S.
Hysteresis	±0.2% F.S.
Sensitivity	±0.2% F.S.
Housing Material	Aluminum
Weight	0.6kg (1.3 lb)

Specification (Positioner)

Applicable Fluid	Air	
Acting Type	<input type="checkbox"/> Single	<input type="checkbox"/> Double
Input Signal	0.02 ~ 0.1MPa (0.2 ~ 1bar)	
Supply Pressure	0.14 ~ 0.7MPa (1.4 ~ 7bar)	
Stroke	55 ~ 100°	
Air Connection, Gauge Connection	<input type="checkbox"/> Rc 1/4, Rc 1/8	<input type="checkbox"/> 1/4 NPT, 1/8 NPT
Operating Temp.	Standard	<input type="checkbox"/> -20°C ~ 70°C (-4°F ~ 158°F)
	Low	<input type="checkbox"/> -40°C ~ 70°C (-40°F ~ 158°F)
Pressure Gauge	Signal	0.2MPa
	Output 1	<input type="checkbox"/> 0.8MPa : Standard <input type="checkbox"/> 0.4MPa : Option
Linearity	±2.0% F.S.	
Hysteresis	±1.0% F.S.	
Sensitivity	±0.5% F.S.	
Repeatability	±0.5% F.S.	
Flow Capacity	> 80 LPM (Sup.=0.14MPa, 1.4bar)	
Air Consumption	< 2.5 LPM (Sup.=0.14MPa, 1.4bar)	
Ingress Protection	IP66	
Weight	1.7kg (3.1 lb)	
Feedback connection type	<input type="checkbox"/> M6x34L	<input type="checkbox"/> M6x63L
	<input type="checkbox"/> M8x34L	<input type="checkbox"/> M8x63L
Housing Material	Aluminum	
	<input type="checkbox"/> NAMUR	



SURFACE TEXTURE	PRODUCT NAME	PROJECT NAME
FINISH TREATMENT	P/P Positioner	
MATERIAL	MODEL	rotork Rotork YTC Limited GMP-O-SI, KOREA
OTHERWISE NOTE	PROJECTION	
GENERAL TOLERANCE	SCALE	TITLE
	QUANTITY	Non-explosion, External SPTM + Rotary Positioner drawing
	SHEET No.	DRAWING NO.
		YTC-1200R-03
		REV.
		2

2019.01.23