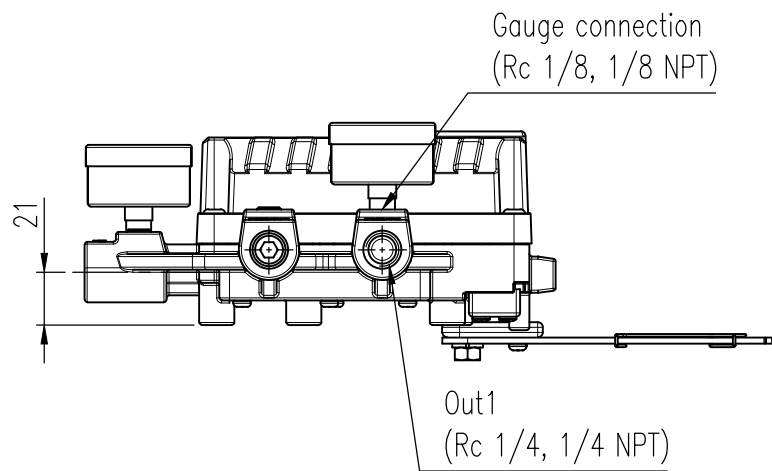
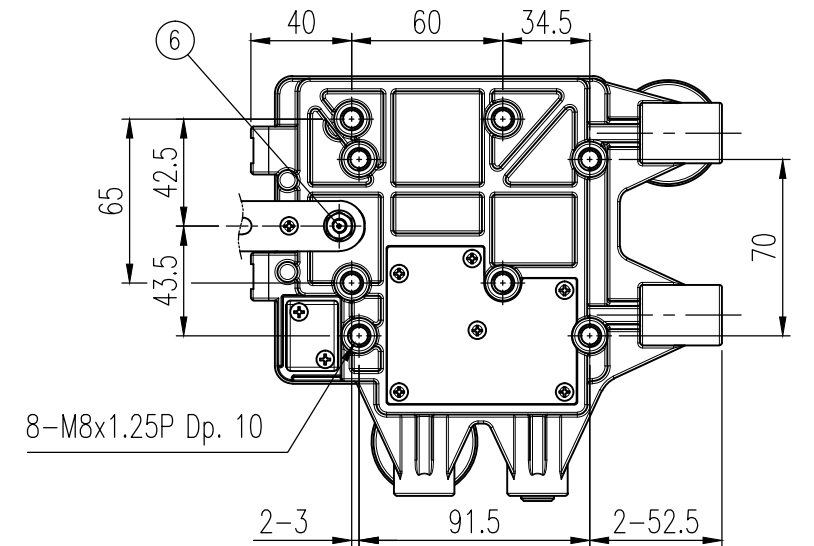
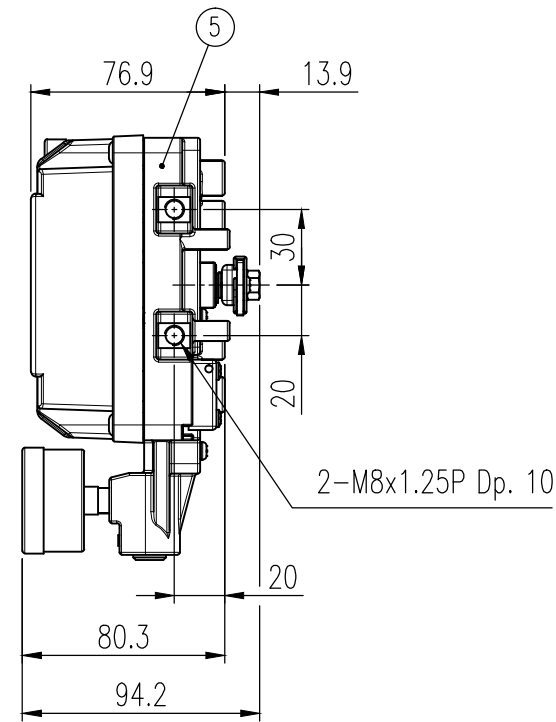
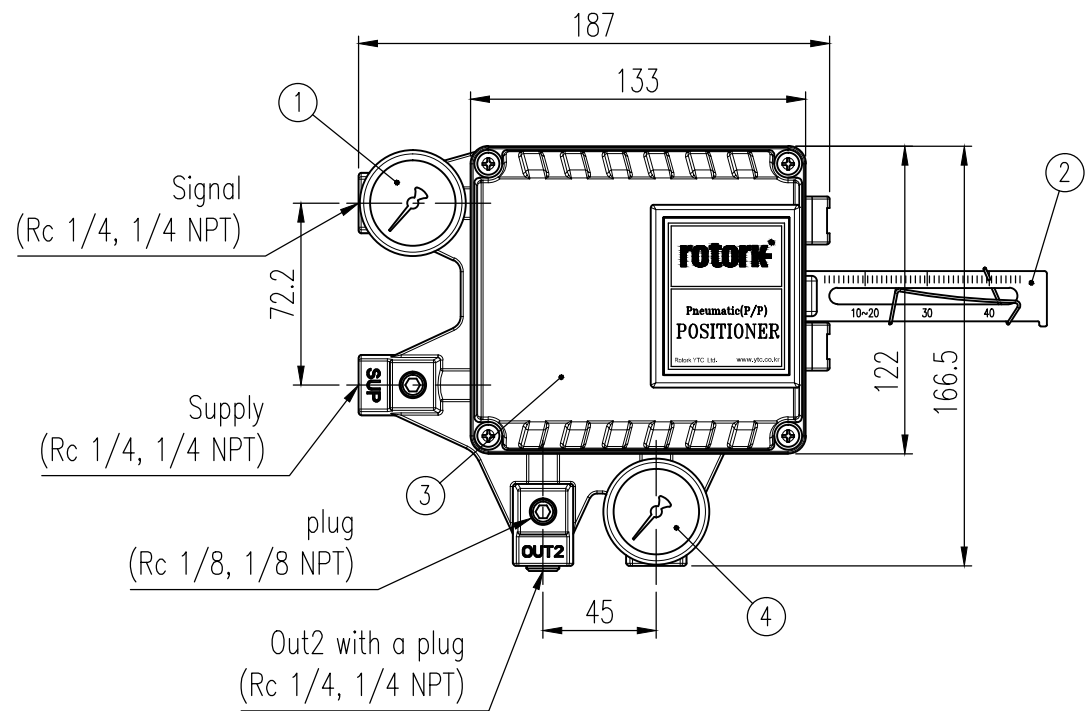


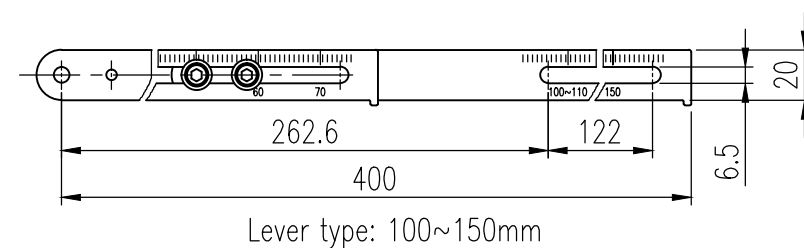
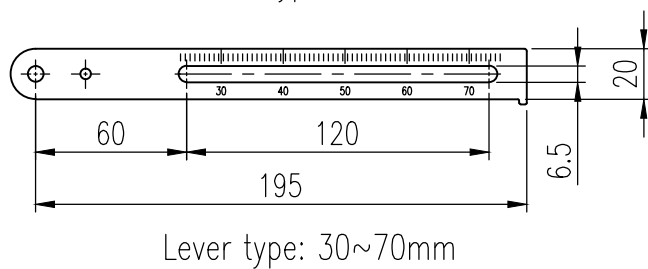
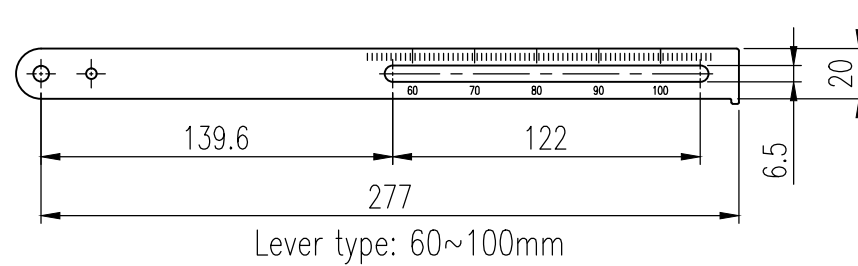
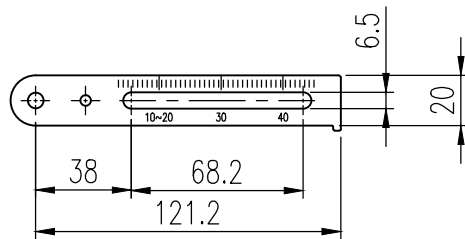
REV.NO.	REVISION DESCRIPTION	DRAWN / DATE	REVIEWED / DATE	APPROVED / DATE
△1	First Issued	MDK/20060325	JCS/20060325	LYH/20060325
	Omission in the middle			
△2	Drawing arrangement	LJS/20110425	JCS/20110425	LYH/20110425
△3	Company name changed	KCH/20191104	JCS/20191104	KTJ/20191104



Specification

Applicable Fluid	Air	
Acting Type	<input type="checkbox"/> Single	<input type="checkbox"/> Double
Input Signal	0.02 ~ 0.1MPa (0.2 ~ 1bar)	
Supply Pressure	0.14 ~ 0.7MPa (1.4 ~ 7bar)	
Stroke	10 ~ 150mm	
Air Connection, Gauge Connection	<input type="checkbox"/> Rc 1/4, Rc 1/8	<input type="checkbox"/> 1/4 NPT, 1/8 NPT
Operating Temp.	Standard	<input type="checkbox"/> -20°C ~ 70°C (-4°F ~ 158°F)
	High	<input type="checkbox"/> -20°C ~ 120°C (-4°F ~ 248°F)
	Low	<input type="checkbox"/> -40°C ~ 70°C (-40°F ~ 158°F)
Pressure Gauge	Signal	0.2MPa
	Output 1	<input type="checkbox"/> 0.8MPa : Standard <input type="checkbox"/> 0.4MPa : Option

Linearity	Single	±1.0% F.S.
	Double	±2.0% F.S.
Hysteresis		±1.0% F.S.
Sensitivity	Single	±0.2% F.S.
	Double	±0.5% F.S.
Repeatability		±0.5% F.S.
Flow Capacity		> 80 LPM (Sup.=0.14MPa, 1.4bar)
Air Consumption		< 2.5 LPM (Sup.=0.14MPa, 1.4bar)
Ingress Protection		IP66
Weight		1.7kg (3.1 lb)
Lever type	<input type="checkbox"/> 10~40mm	<input type="checkbox"/> 30~70mm
	<input type="checkbox"/> 60~100mm	<input type="checkbox"/> 100~150mm
Housing Material		Aluminum



No.	Part name	Material	Q'ty	Remark
1	Pressure gauge	STS304	1	Signal, 0.2MPa
2	Feedback lever	STS304	1	
3	Base cover	ALDC12	1	
4	Pressure gauge	STS304	1	Out1, 0.8 MPa
5	Base body	ALDC12	1	
6	Main shaft	STS303	1	

SURFACE TEXTURE		PRODUCT NAME		PROJECT NAME	
FINISH TREATMENT		P/P Positioner		-	
MATERIAL		MODEL		TITLE	
OTHERWISE NOTE		PROJECTION		rotork® Rotork YTC Limited	
GENERAL TOLERANCE		SCALE		GMP0-SI, KOREA	
		3rd		Linear Standard Positioner drawing	
		1 / 3		DRAWING NO.	
		SHEET No.		YT-1200L-01	
		1 / 1		REV.	
				6	