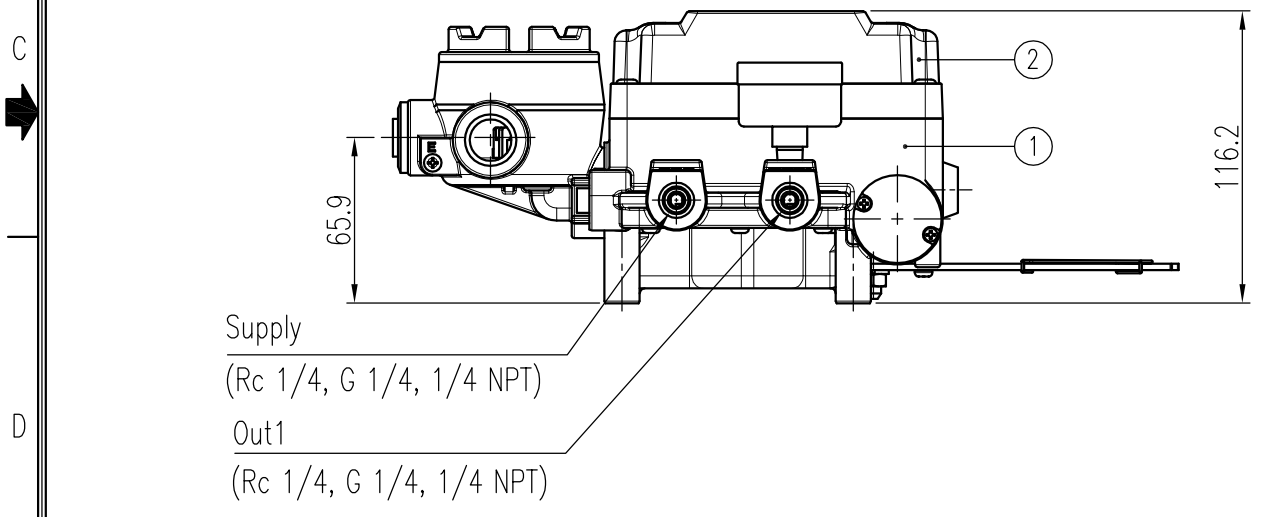
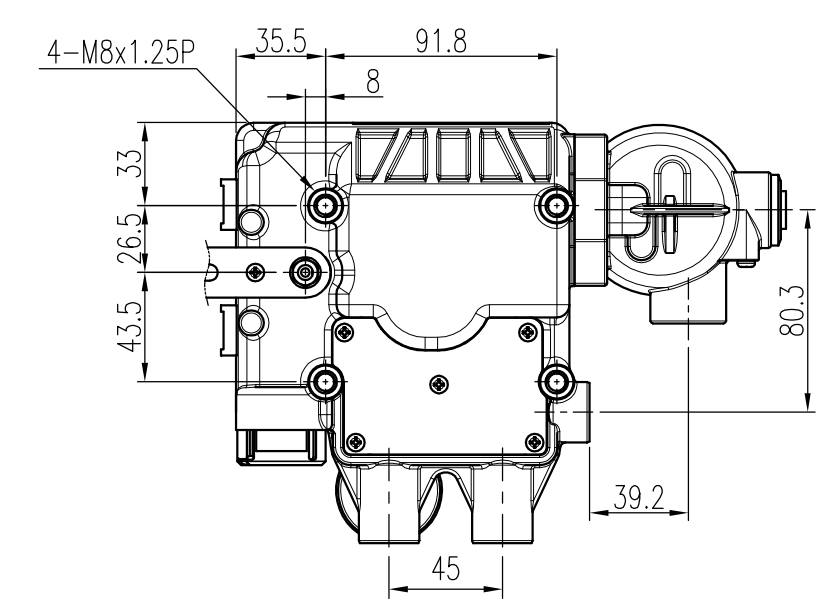
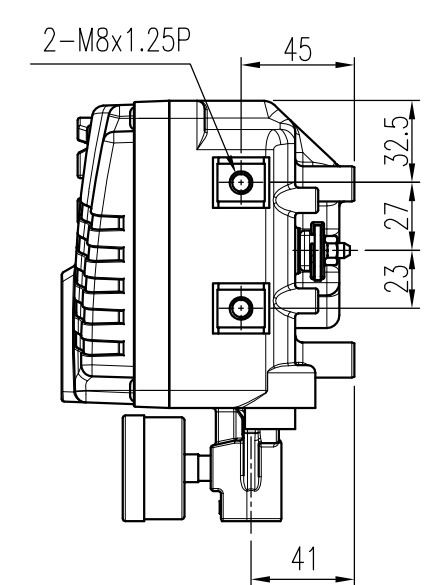
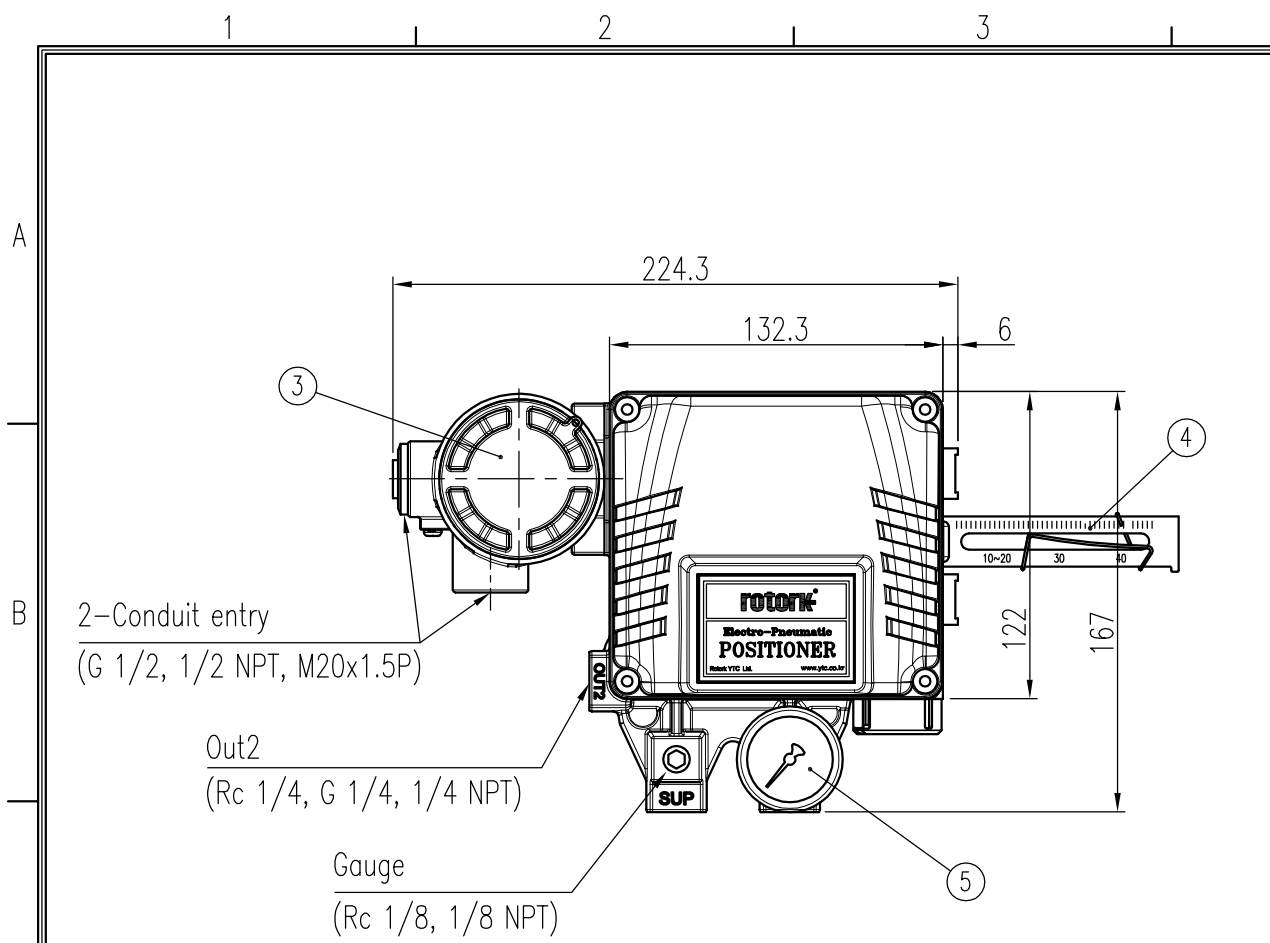


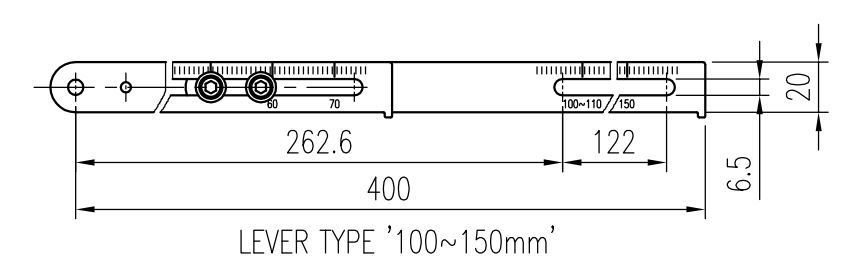
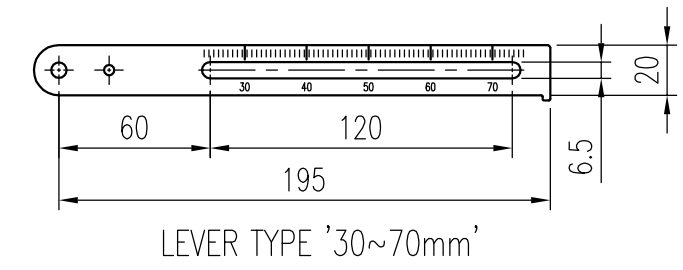
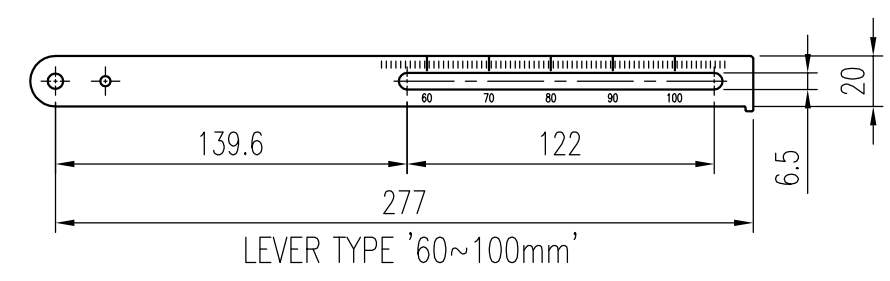
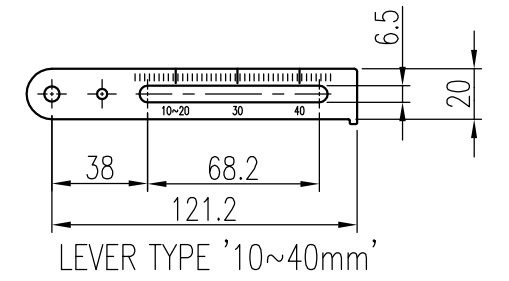
REV.NO.	REVISION DESCRIPTION	DRAWN / DATE	REVIEWED / DATE	APPROVED / DATE
△	DRAWING ARRANGEMENT	MDK/20110812	KCH/20110812	LYH/20110812
△	DRAWING ARRANGEMENT	OSS/20120315	KCH/20120315	LYH/20110812
△	DRAWING ARRANGEMENT	KDH/20130214	KCH/20130214	LYH/20130214
△	DRAWING ARRANGEMENT	KSH/20190507	KCH/20190507	KTJ/20190507



SPECIFICATIONS (POSITIONER)

Applicable Fluid	Air				
Acting Type	<input type="checkbox"/> Single		<input type="checkbox"/> Double		
Input Signal	4 ~ 20 mA DC				
Impedance	250±15Ω				
Supply Pressure	0.14 ~ 0.7MPa (1.4 ~ 7bar)				
Stroke	10 ~ 150mm				
Conduit entry, Air Connection, Gauge Connection	G 1/2, Rc 1/4, Rc 1/8	G 1/2, 1/4 NPT, 1/8 NPT	G 1/2, 1/4 NPT, 1/8 NPT	M20x1.5P, 1/4 NPT, 1/8 NPT	1/2 NPT, 1/4 NPT, 1/8 NPT
Explosion Protection Type	<input type="checkbox"/> C : Ex d IIC T5		<input type="checkbox"/> M : Ex db mb IIB T5 Gb		
	<input type="checkbox"/> X : Ex dmb IIB T5		<input type="checkbox"/> H : Ex d mb IIC T6 Gb		
	<input type="checkbox"/> A : Class I, Zone 1, Ex d m IIB T5(CSA)				
	<input type="checkbox"/> A : CL I, Div 1, Grps C,D T5 / CL II,III, Div 1, Grps E,F,G T5 (FM)				
	<input type="checkbox"/> E : 1Ex d mb IIB T5 Gb X				

Operating Temp.	Standard	<input type="checkbox"/> -20°C ~ 70°C (-4 ~ 158°F)
	High	<input type="checkbox"/> -20°C ~ 120°C (-4 ~ 248°F)
	Low	<input type="checkbox"/> -40°C ~ 70°C (-40 ~ 158°F)
Ambient temperature of explosion proof	See certificates or product manual	
Linearity	Single	±1.0% F.S.
	Double	±2.0% F.S.
Hysteresis	±1.0% F.S.	
Sensitivity	Single	±0.2% F.S.
	Double	±0.5% F.S.
Repeatability	±0.5% F.S.	
Air Consumption	< 3 LPM (Sup.=0.14MPa, 1.4bar)	
Flow Capacity	> 80 LPM (Sup.=0.14MPa, 1.4bar)	
Ingress Protection	IP66	
Weight	2.8kg (6.2lb)	
Actuator Shaft	<input type="checkbox"/> 10~40mm	<input type="checkbox"/> 30~70mm
	<input type="checkbox"/> 60~100mm	<input type="checkbox"/> 100~150mm
Material	ALUMINUM DIECASTING	



NO.	PART NAME	MATERIAL	Q'TY	REMARK
5	PRESSURE GAUGE	STS 304	1	
4	FEEDBACK LEVER	STS304	1	
3	JUNCTION BOX	ALDC12	1	
2	COVER BASE	ALDC12	1	
1	BODY BASE	ALDC12	1	

SURFACE TEXTURE	PRODUCT NAME	rotork Rotork YTC Limited	
FINISH TREATMENT	E/P POSITIONER	GMPD-SI, KOREA	
MATERIAL	MODEL	TITLE	
OTHERWISE NOTE	PROJECTION	ELECTRO PNEUMATIC LINEAR POSITIONER ASS'Y DWG (STANDARD)	
GENERAL TOLERANCE	SCALE	DRAWING NO.	
	3rd	YT-1000L STANDARD	
	1 / 3	REV.	
	QUANTITY	10	
	1	1 / 1	