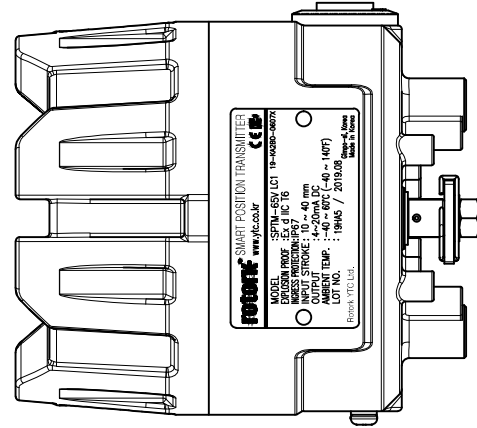
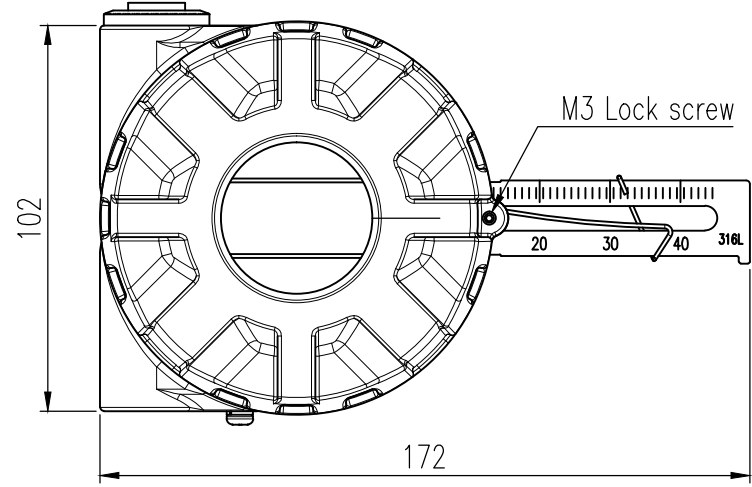
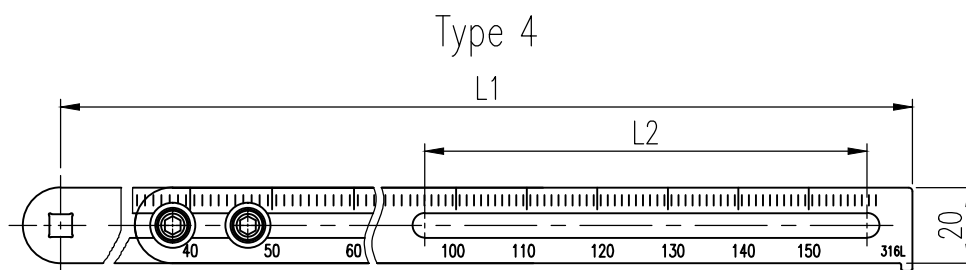
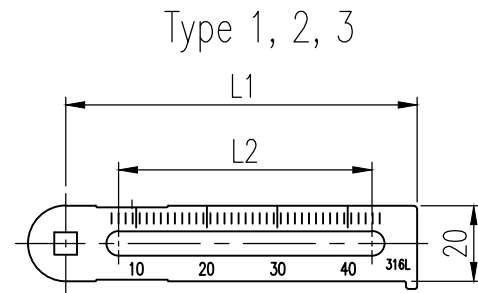
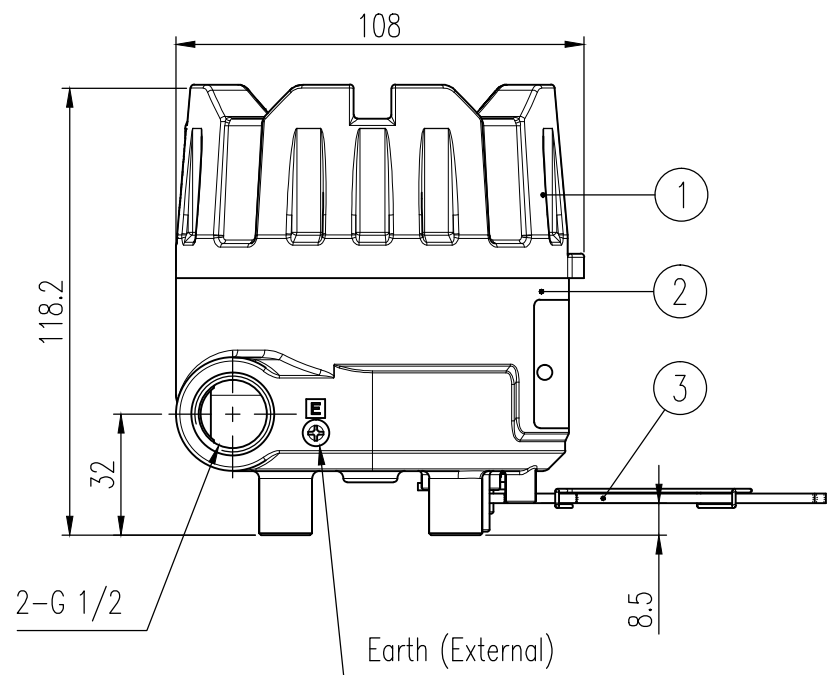


REV.NO.	REVISION DESCRIPTION	DRAWN / DATE	REVIEWED / DATE	APPROVED / DATE
△	First issued	OSS/20141219	JCS/20141219	LYH/20141219
△	Company name changed ...	KSH/20191007	KCH/20191007	KTJ/20191007



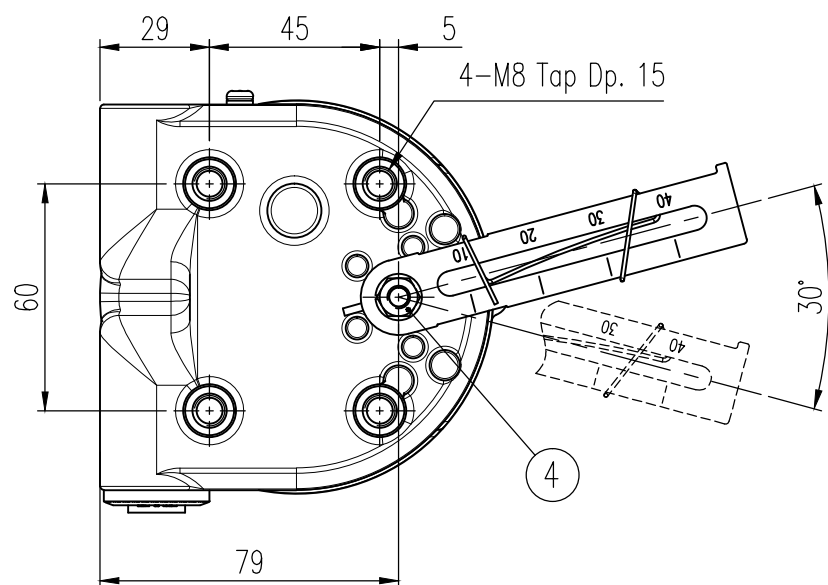
### Specifications

Connection Type	2 Wire	
Input Stroke	10 ~ 150mm	
Lever Type	<input type="checkbox"/> 1: 10 ~ 40mm	<input type="checkbox"/> 2: 20 ~ 70mm
	<input type="checkbox"/> 3: 50 ~ 100mm	<input type="checkbox"/> 4: 100 ~ 150mm
Output Signal	4 ~ 20 mA DC	
External Load Resistance	Rext ≤ (Vs-9) / 20mA, 750 ohms @Vs = 24V	
Supply Voltage	9 ~ 28V DC	
Conduit Entry	G 1/2	
Explosion Proof	<input type="checkbox"/> KCs : Ex d IIC T6 <input type="checkbox"/> TRCU : 1Ex d IIC T6 Gb	
Ingress Protection	IP 67	
Ambient Temp.	Operating	-40 ~ 85°C (-40 ~ 185°F)
	Explosion proof	KCs : -40 ~ 60 °C (-40 ~ 140°F) TR CU : -60 ~ 60 °C (-67 ~ 140°F)
Linearity	±1% F.S.	
Hysteresis	±0.2% F.S.	
Sensitivity	±0.2% F.S.	
Housing Material	Stainless steel 316	
Weight	2.8kg (6.17 lb)	



Lever type	Stroke(mm)	L1(mm)	L2(mm)
1	10~40	93.0	67.0
2	20~70	153.5	106.5
3	50~100	214.0	117.0
4	100~150	307.3	

No.	Part name	Material	Q'ty	Remark
1	Base body	SCS14	1	
2	Base cover	SCS14	1	
3	Feedback lever	STS316	1	
4	Main shaft	STS316	1	



SURFACE TEXTURE	PRODUCT NAME Smart position transmitter	PROJECT NAME	
FINISH TREATMENT	MODEL SPTM-65VL	rotork Rotork YTC Limited GIMPO-SI, KOREA	
MATERIAL	PROJECTION 3rd	SCALE 1/2	TITLE Linear type drawing
OTHERWISE NOTE	GENERAL TOLERANCE	QUANTITY 1	SHEET No. 1 / 1
		DRAWING NO. SPTM-65VL-1	
		REV. 1	