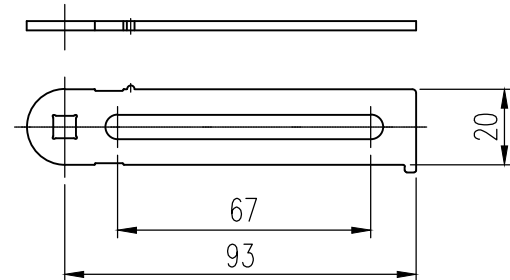
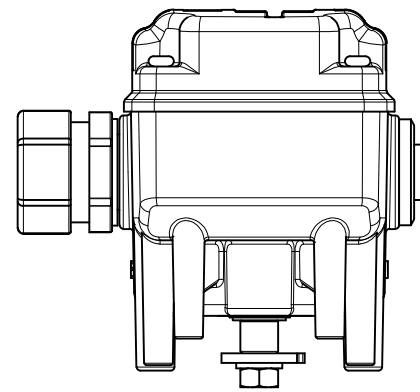
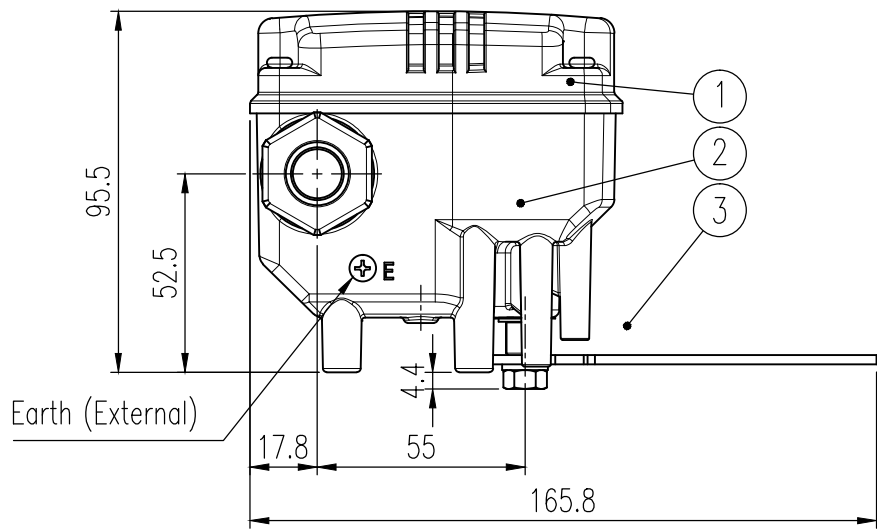
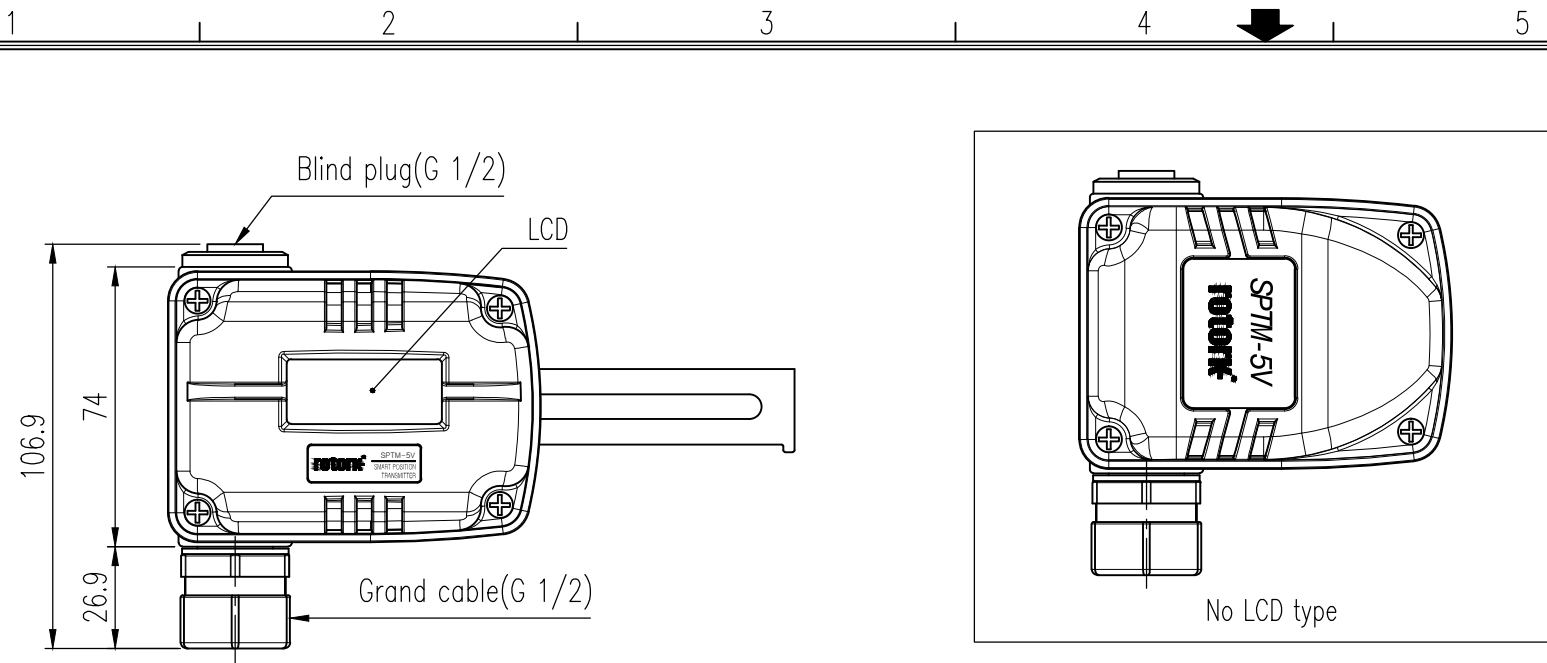


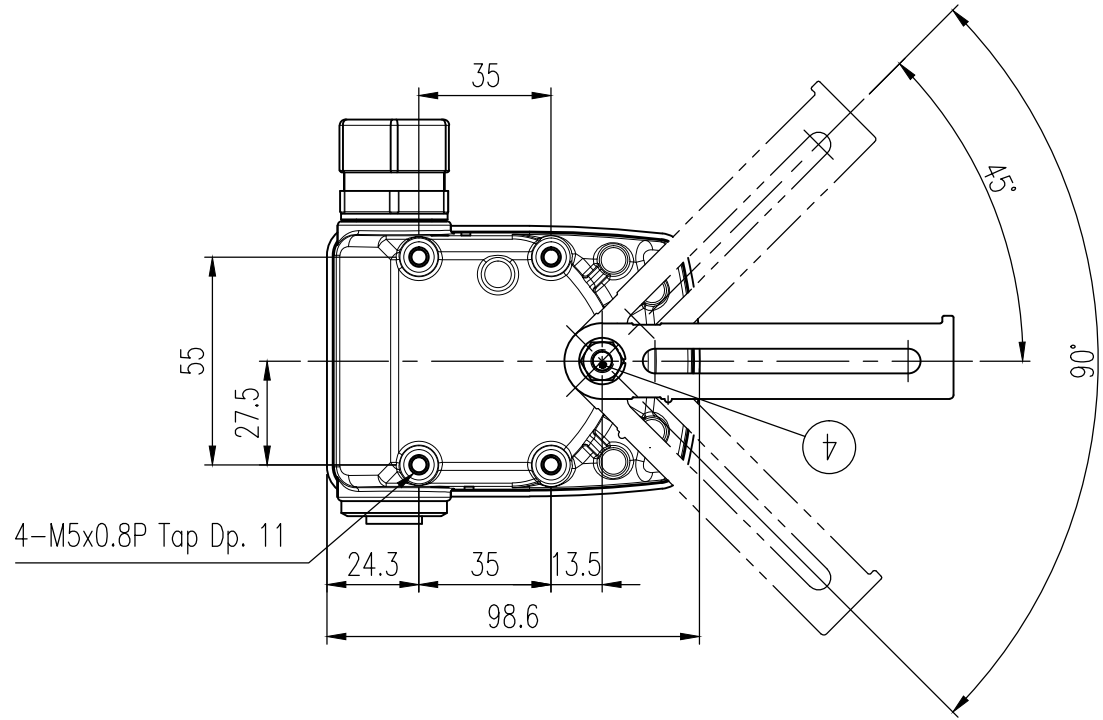
REV.NO.	REVISION DESCRIPTION	DRAWN / DATE	REVIEWED / DATE	APPROVED / DATE
△1	First issued	KBJ/20120426		JCS/20120426
	Omission in the middle			
△2	Specifications revised	OSS/20141219	JCS/20141219	LYH/20141219
△4	Company name changed ...	KSH/20191002	KCH/20191002	KTJ/20191002



Specifications

Connection Type	2 Wire	
Input Stroke	55° ~ 100°	
LCD Option	<input type="checkbox"/> LCD	<input type="checkbox"/> No LCD
Output Signal	4 ~ 20mA DC	
External Load Resistance	$R_{ext} \leq (V_s - 9) / 20mA$ , 750 ohms @ $V_s = 24V$	
Supply Voltage	9 ~ 28V DC	
Conduit Entry	G 1/2	
Explosion Proof	Non-Explosion	
Ingress Protection	IP 67	
Ambient Temperature	-40 ~ 85 °C (-40 ~ 185 °F)	
Linearity	±1% F.S.	
Hysteresis	±0.2% F.S.	
Sensitivity	±0.2% F.S.	
Housing Material	Aluminum	
Painting	Polyester Powder Coating	
Weight	0.6kg (1.3 lb)	

No.	Part name	Material	Q'ty
1	Base cover	ALDC12	1
2	Base body	ALDC12	1
3	Feedback lever	STS304	1
4	Main shaft	STS303	1



SURFACE TEXTURE		PRODUCT NAME		PROJECT NAME	
		Smart position transmitter			
FINISH TREATMENT		MODEL		TITLE	
		SPTM-5VR		Rotary lever type drawing	
MATERIAL		PROJECTION	SCALE	DRAWING NO.	
		3rd	1 / 2	SPTM-5VR-02	
OTHERWISE NOTE		QUANTITY	SHEET No.	REV.	
GENERAL TOLERANCE		1	1 / 1	4	