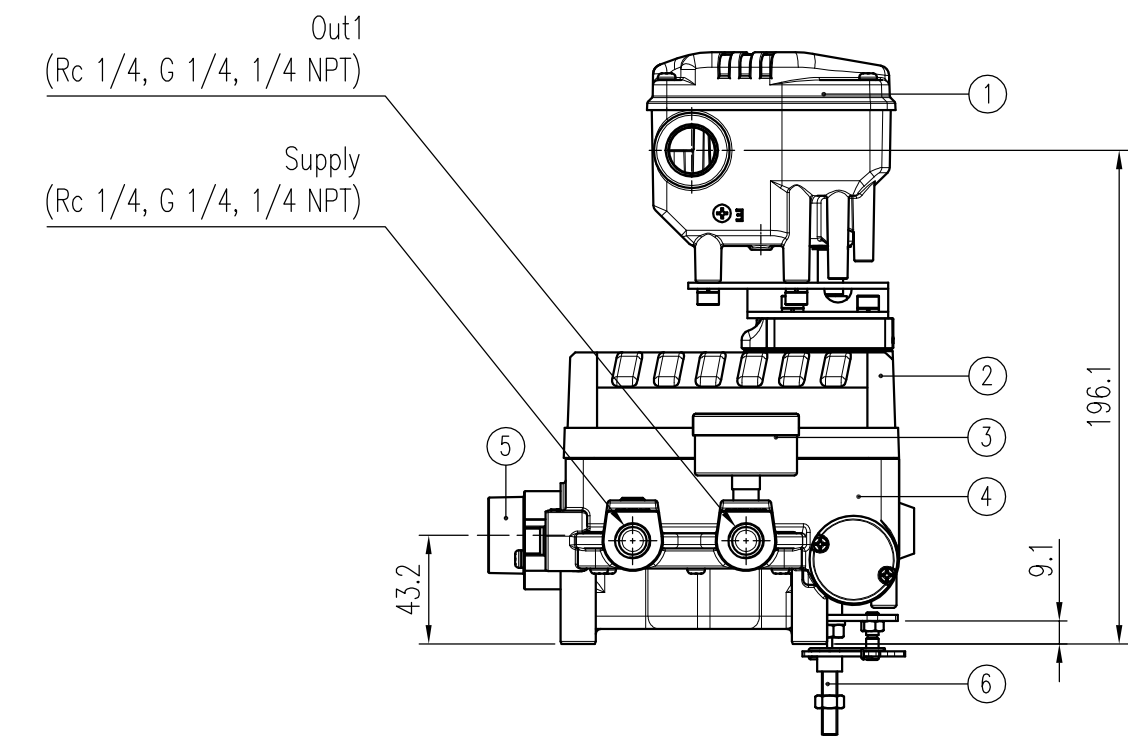
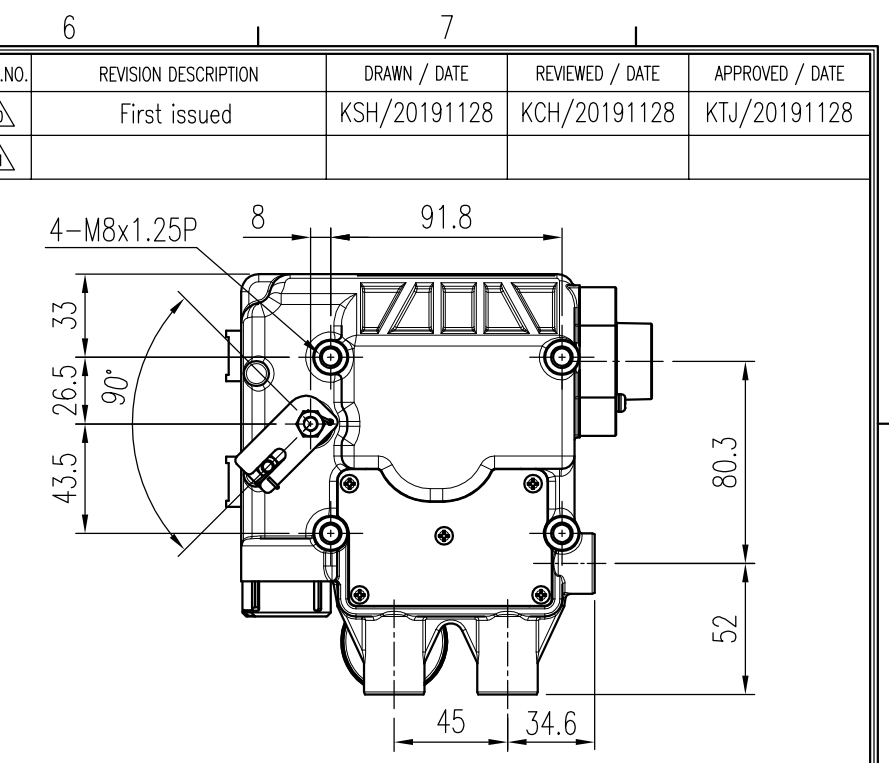
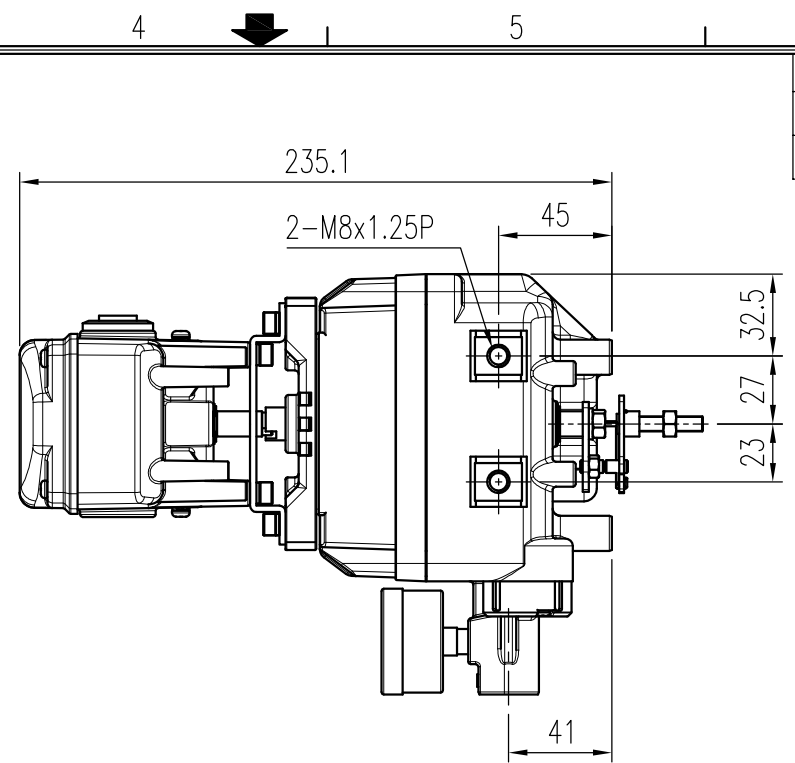
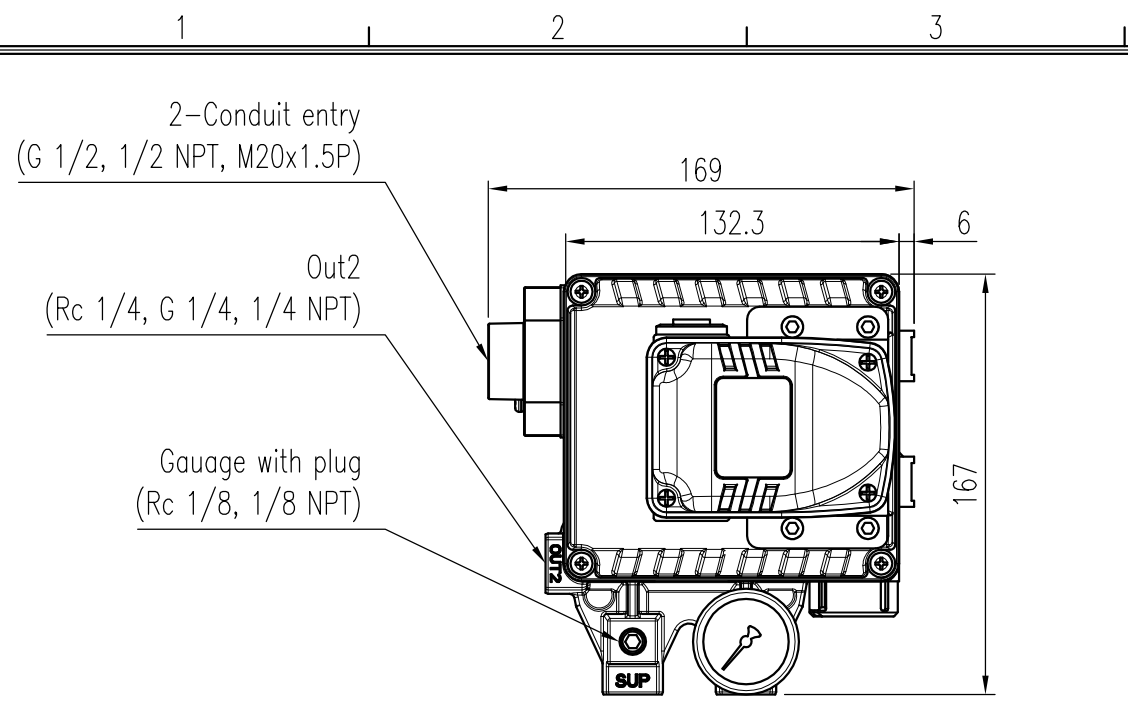


REV.NO.	REVISION DESCRIPTION	DRAWN / DATE	REVIEWED / DATE	APPROVED / DATE
△	First issued	KSH/20191128	KCH/20191128	KTJ/20191128
△				



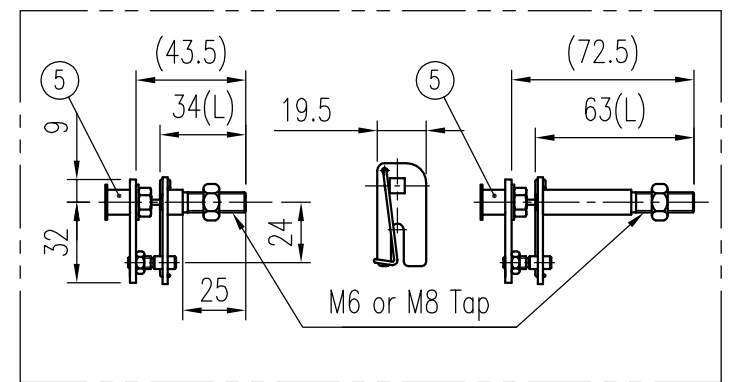
Specification (SPTM-5V External)

Connection Type	2 Wire
Output Signal	4 ~ 20 mA DC
External Load Resistance	$R_{ext} \leq (V_s - 9) / 20\text{mA}$, 750 ohms @ $V_s = 24\text{V}$
Supply Voltage	9 ~ 28V DC
Conduit Entry	G 1/2
Explosion Proof	Non-Explosion
Ambient Temperature	-40 ~ 85°C (-40 ~ 185°F)
Linearity	±1% F.S.
Hysteresis	±0.2% F.S.
Sensitivity	±0.2% F.S.
Housing Material	Aluminum
Weight	0.6kg (1.3 lb)

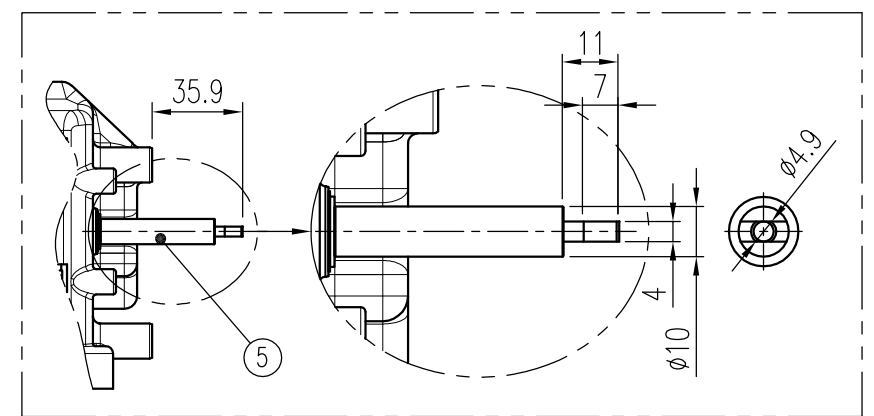
Specification (Positioner)

Applicable Fluid	Air	
Acting Type	<input type="checkbox"/> Single	<input type="checkbox"/> Double
Input Signal	4 ~ 20 mA DC	
Impedance	250±15	
Supply Pressure	0.14 ~ 0.7MPa (1.4 ~ 7bar)	
Stroke	55 ~ 100'	
Conduit entry, Air Connection, Gauge Connection	G 1/2, Rc 1/4, Rc 1/8	G 1/2, 1/4 NPT, 1/8 NPT
Explosion proof	Non-Explosion	
Operating Temp.	Standard	<input type="checkbox"/> -20 ~ 70°C (-4 ~ 158°F)
	High	<input type="checkbox"/> -20 ~ 120°C (-4 ~ 248°F)
	Low	<input type="checkbox"/> -40 ~ 70°C (-40 ~ 158°F)
Linearity	Single	±1.0% F.S.
	Double	±2.0% F.S.
Hysteresis	±1.0% F.S.	
Sensitivity	Single	±0.2% F.S.
	Double	±0.5% F.S.
Repeatability	±0.5% F.S.	
Flow Capacity	> 80 LPM (Sup.=0.14MPa, 1.4bar)	
Air Consumption	< 2.5 LPM (Sup.=0.14MPa, 1.4bar)	
Ingress Protection	IP66	
Weight	2.7kg (6.1 lb)	
Feedback connection type	<input type="checkbox"/> M6x34L	<input type="checkbox"/> M6x63L
	<input type="checkbox"/> M8x34L	<input type="checkbox"/> M8x63L
Housing Material	Aluminum	

No.	Part name	Material	Q'ty	Remark
1	SPTM-5V	-	1	
2	Base cover	ALDC12	1	
3	Pressure gauge	STS304	1	
4	Base body	ALDC12	1	
5	IA Connector	ALDC12	1	
6	Main shaft	STS303	1	Fork lever or NAMUR



Fork lever type



NAMUR shaft type

SURFACE TEXTURE	PRODUCT NAME	PROJECT NAME
FINISH TREATMENT	E/P POSITIONER	
MATERIAL	MODEL	rotork Rotork YTC Limited <small>GMPD-SI, KOREA</small> External SPTM + Rotary Positioner drawing
OTHERWISE-NOTE	PROJECTION	
GENERAL TOLERANCE	SCALE	DRAWING NO.
	QUANTITY	REV.
	SHEET No.	YT-1000R-16 0