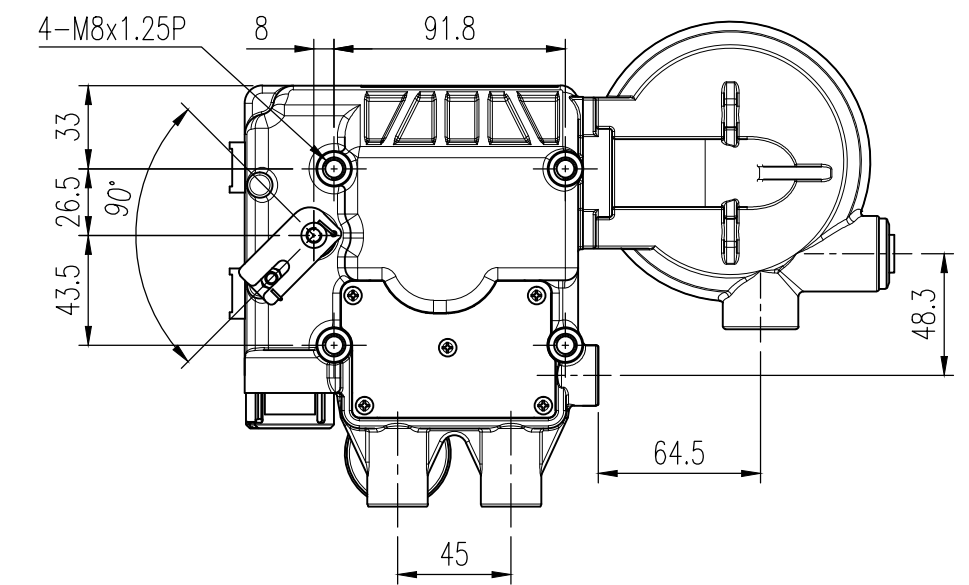
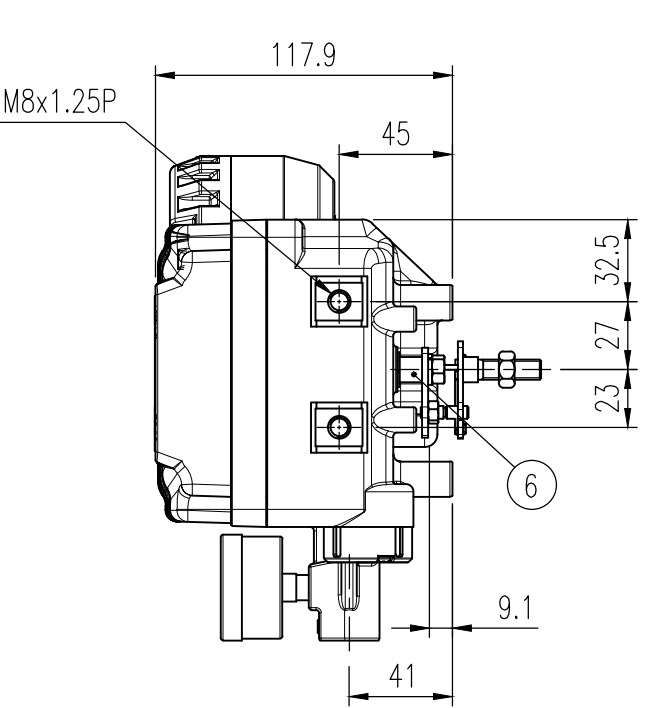
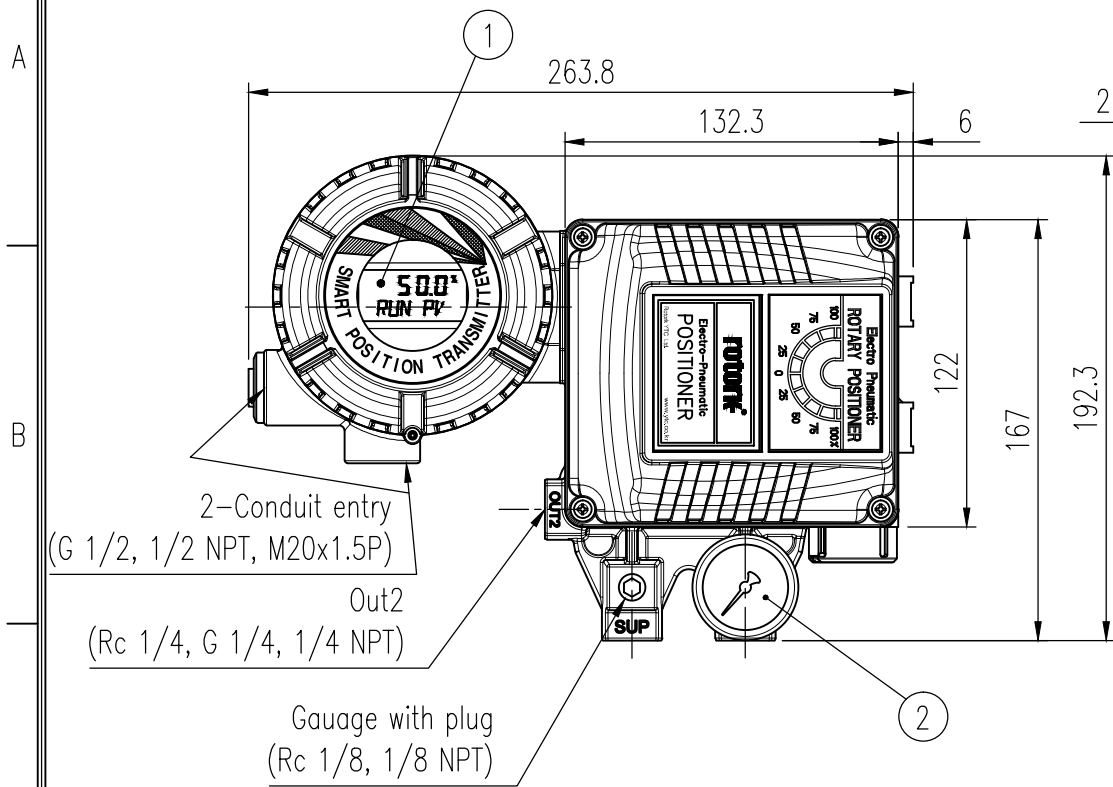


REV.NO.	REVISION DESCRIPTION	DRAWN / DATE	REVIEWED / DATE	APPROVED / DATE
△1	First issued	KCH/20071106	JCS/20071106	LYH/20071106
	Omission in the middle			
△2	Drawing arrangement	KBJ/20121112	JCS/20121112	LYH/20121112
△3	Company name changed	KSH/20191022	KCH/20191022	KTJ/20191022



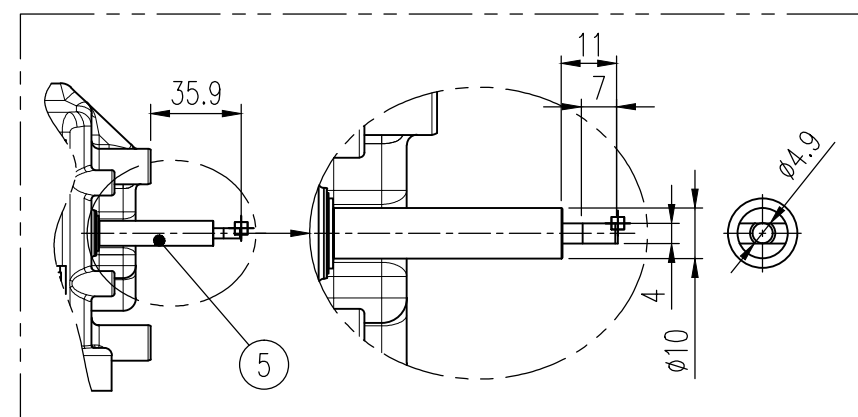
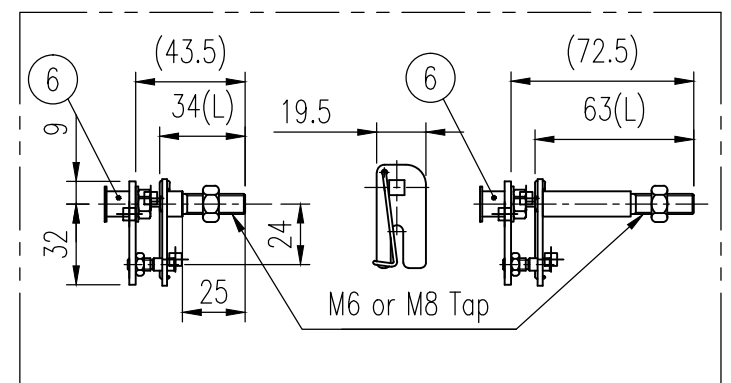
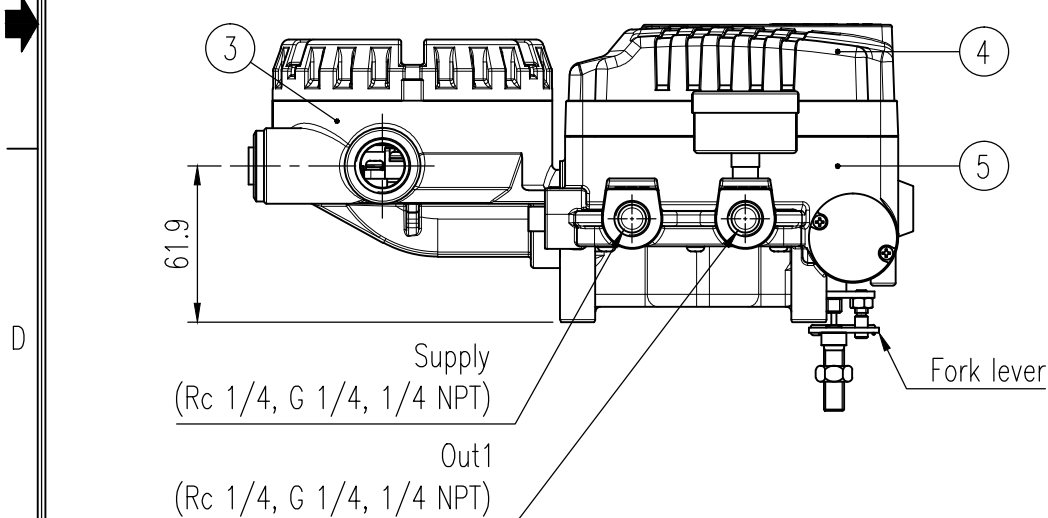
Specification(SPTM)

LCD type Smart Position Transmitter	
Input Type	2 Wire
Input Signal	10 ~ 150mm
Output Signal	4 ~ 20mA DC
External load Resistance	Rest ≤ (Vs-9) / 20mA, 750 ohms @Vs = 24V
Supply Voltage	Vs : 9 ~ 28V DC
Linearity	±1% F.S.
Hysteresis	±0.2% F.S.
Sensitivity	±0.2% F.S.

Specification (Positioner)

Applicable Fluid	Air				
Acting Type	<input type="checkbox"/> Single		<input type="checkbox"/> Double		
Input Signal	4 ~ 20 mA DC				
Impedance	250±15Ω				
Supply Pressure	0.14 ~ 0.7MPa (1.4 ~ 7bar)				
Stroke	55 ~ 100°				
Conduit entry, Air Connection, Gauge Connection	G 1/2, Rc 1/4, Rc 1/8	G 1/2, 1/4 NPT, 1/8 NPT	G 1/2, 1/4 NPT, 1/8 NPT	M20x1.5P, 1/4 NPT, 1/8 NPT	1/2 NPT, 1/4 NPT, 1/8 NPT
Explosion Proof	Non-Explosion				
Operating Temp.	Standard	<input type="checkbox"/> -20°C ~ 70°C (-4 ~ 158°F)			
	Low	<input type="checkbox"/> -40°C ~ 70°C (-40 ~ 158°F)			

Linearity	Single	±1.0% F.S.
	Double	±2.0% F.S.
Hysteresis		±1.0% F.S.
Sensitivity	Single	±0.2% F.S.
	Double	±0.5% F.S.
Repeatability		±0.5% F.S.
Flow Capacity	> 80 LPM (Sup.=0.14MPa, 1.4bar)	
Air Consumption	< 2.5 LPM (Sup.=0.14MPa, 1.4bar)	
Ingress Protection		
IP66		
Weight		
2.8kg (6.2lb)		
Feedback connection type	<input type="checkbox"/> M6x34L	<input type="checkbox"/> M6x63L
	<input type="checkbox"/> M8x34L	<input type="checkbox"/> M8x63L
		<input type="checkbox"/> NAMUR
Housing Material		
Aluminum		



No.	Part name	Material	Q'ty	Remark
1	LCD	-	1	
2	Pressure gauge	STS304	1	
3	Junction box	ALDC12	1	
4	Base cover	ALDC12		
5	Base body	ALDC12	1	
6	Main shaft	STS303	1	Fork lever or NAMUR

SURFACE TEXTURE	PRODUCT NAME		PROJECT NAME
	E/P positioner		
FINISH TREATMENT	MODEL		TITLE
	YT-1000R + YT-870(L/S)		
MATERIAL	PROJECTION	SCALE	DRAWING NO.
	3rd	1 / 3	
OTHERWISE NOTE	GENERAL TOLERANCE	QUANTITY	REV.
		1	9

rotork Rotork YTC Limited
GIMPO-SI, KOREA

SPTM(LCD) internal + Rotary Positioner drawing

YTC-1000R-15