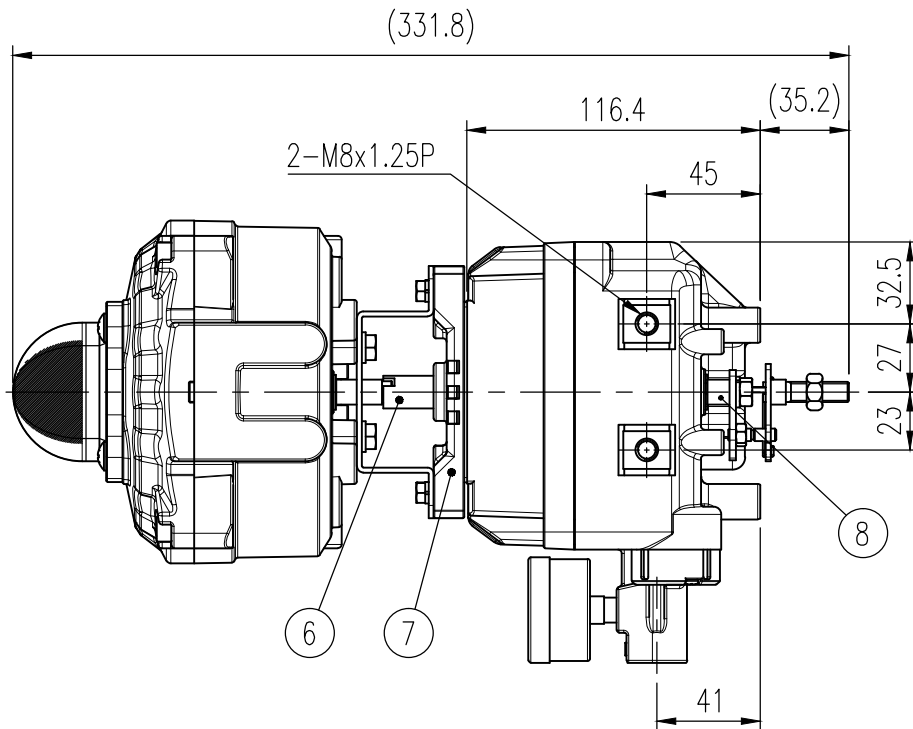
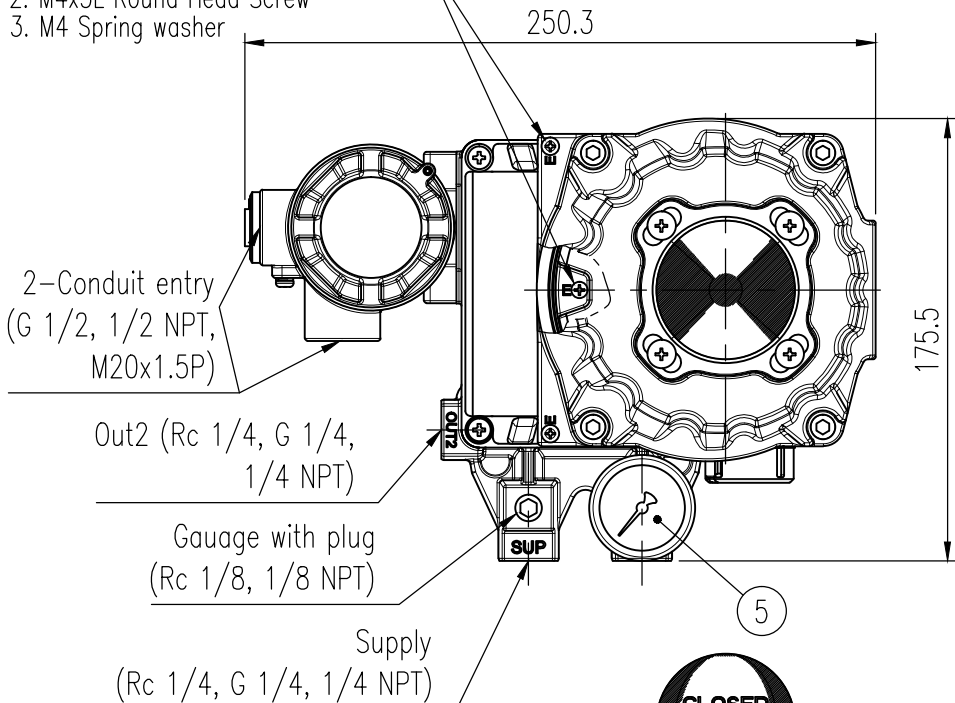
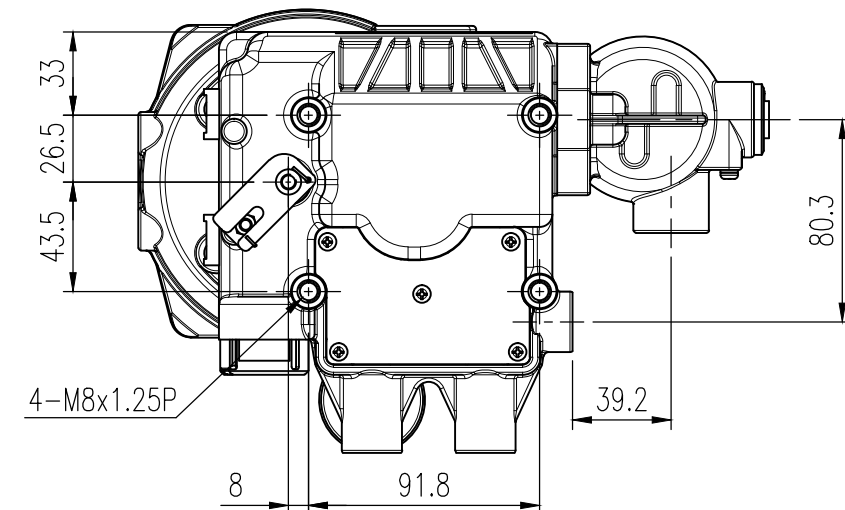


Earth (External, Internal)

1. Minimum Size Wire 1mm or 18AWG.
2. M4x5L Round Head Screw
3. M4 Spring washer



REV.NO.	REVISION DESCRIPTION	DRAWN / DATE	REVIEWED / DATE	APPROVED / DATE
△	First issued	HSS/20090128		LYH/20090128
	Omission in the middle			
△	Drawing arrangement	KSH/20180801	JCS/20180801	KTJ/20180801
△	Company name changed	KSH/20191024	KCH/20191024	KTJ/20191024



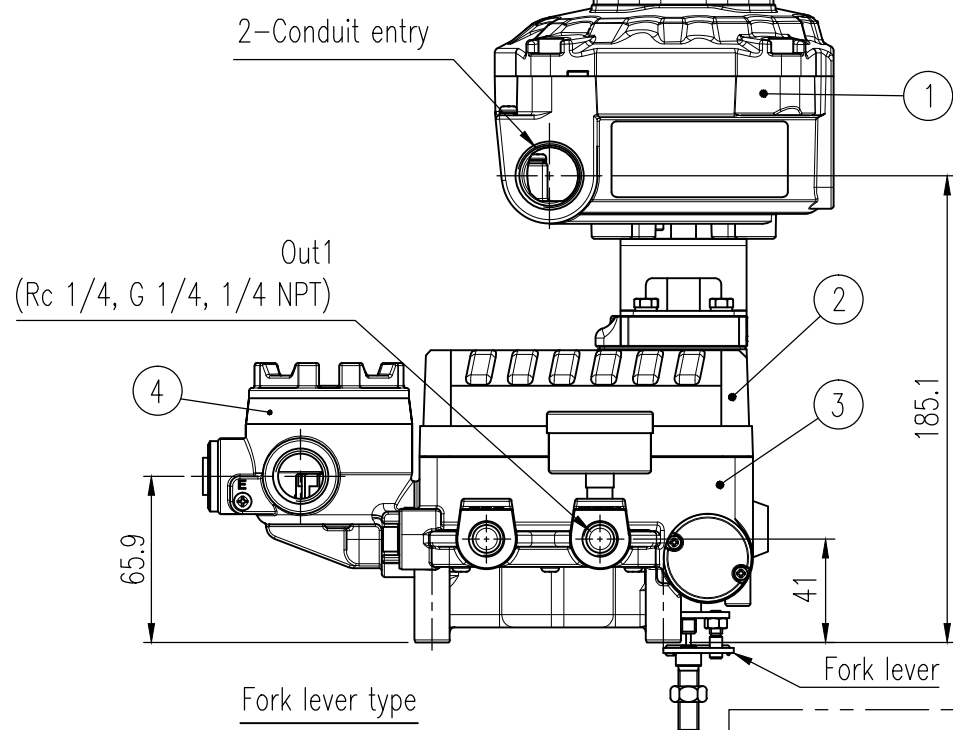
Specification (YT-870 External)

Model		<input type="checkbox"/> YT-870M	<input type="checkbox"/> YT-870P	<input type="checkbox"/> YT-870D
Limit Switch	Switch Type	Mechanical Switch(2 x SPDT) SS5GL (OMRON)	Inductive Proximity Sensor <input type="checkbox"/> PS17-5DNU (Autonics) <input type="checkbox"/> NJ2-V3-N (P&F)	Mechanical Switch(2 x DPDT) DZ-10G-1B (OMRON)
	Switch Rating	AC	250V 3A, 125V 5A	125 or 250V 10A, 480V 2A
		DC	250V 0.2A, 125V 0.4A, 30VDC 4A, 14VDC 5A, 8VDC 5A	12~24V 8.2V
	Terminal	8 Point		12 Point
Ingress Protection		IP67		
Explosion Proof		Flameproof enclosure: KCs, ATEX, IECEx, CSA. Refer to certifications for details.		
Ambient Temperature		-20 ~ 60°C (-4 ~ 140°F)		
Conduit entry		G 3/4		
Housing Material		Aluminum		
Weight		1.5kg (3.3 lb)		

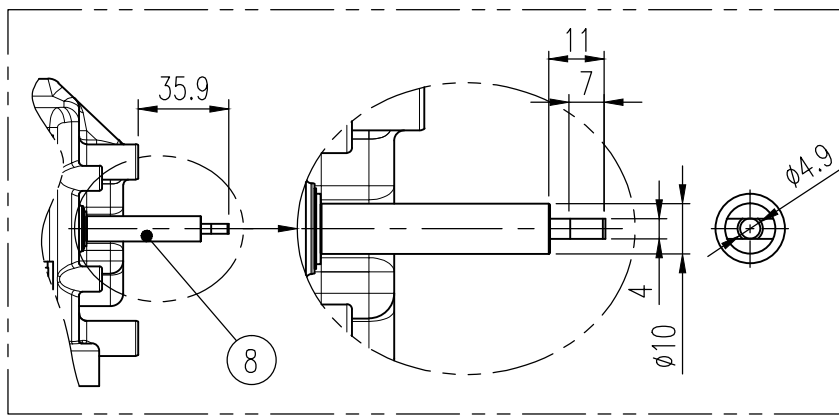
Specification (Positioner)

Applicable Fluid	Air	
Acting Type	<input type="checkbox"/> Single	<input type="checkbox"/> Double
Input Signal	4 ~ 20 mA DC	
Impedance	250±15Ω	
Supply Pressure	0.14 ~ 0.7MPa (1.4 ~ 7bar)	
Stroke	55 ~ 100'	
Conduit entry, Air Connection	<input type="checkbox"/> G 1/2, Rc 1/4	<input type="checkbox"/> G 1/2, 1/4 NPT <input type="checkbox"/> G 1/2, 1/4 NPT <input type="checkbox"/> M20xP1.5, 1/4 NPT <input type="checkbox"/> 1/4 NPT
Gauge Connection	<input type="checkbox"/> Rc 1/8	<input type="checkbox"/> 1/8 NPT
Explosion Proof	Flameproof enclosure and molding. Refer to certifications(KCs, ATEX, IECEx, CSA) for details	
Ambient Temp.	Refer to certifications for details	
Linearity	Single	±1.0% F.S.
	Double	±2.0% F.S.
Hysteresis	±1.0% F.S.	
Sensitivity	Single	±0.2% F.S.
	Double	±0.5% F.S.
Repeatability	±0.5% F.S.	
Flow Capacity	> 80 LPM (Sup.=0.14MPa, 1.4bar)	
Air Consumption	< 2.5 LPM (Sup.=0.14MPa, 1.4bar)	
Ingress Protection	IP66	
Weight	2.8kg (6.2 lb)	
Feedback connection type	<input type="checkbox"/> M6x34L	<input type="checkbox"/> M6x63L
	<input type="checkbox"/> M8x34L	<input type="checkbox"/> M8x63L
Housing Material	Aluminum	

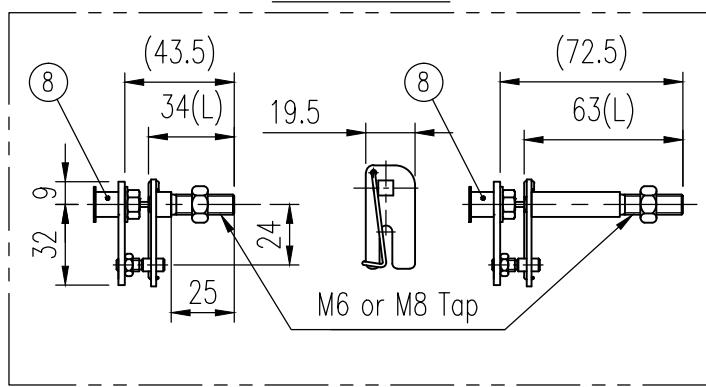
No.	Part name	Material	Q'ty	Remark
1	YT-870	-	1	
2	Base cover	ALDC12	1	
3	Base body	ALDC12	1	
4	Junction box	ALDC12	1	
5	Pressure gauge	STS304	1	
6	Adapter	STS303	1	
7	Bracket block	ALDC12	1	
8	Main shaft	STS303	1	Fork lever, NAMUR



NAMUR shaft type



Fork lever type



SURFACE TEXTURE	PRODUCT NAME	E/P positioner	
FINISH TREATMENT	MODEL	YT-1000R + YT-870(L/S)	
MATERIAL	PROJECTION	SCALE	1 / 3
OTHERWISE NOTE	GENERAL TOLERANCE	QUANTITY	1
		SHEET No.	1 / 1

PROJECT NAME		rotork Rotork YTC Limited	
		GIMPO-SI, KOREA	
TITLE Explosion proof, External L/S + Rotary Positioner drawing			
DRAWING NO.		REV.	
YT-1000R-14		5	