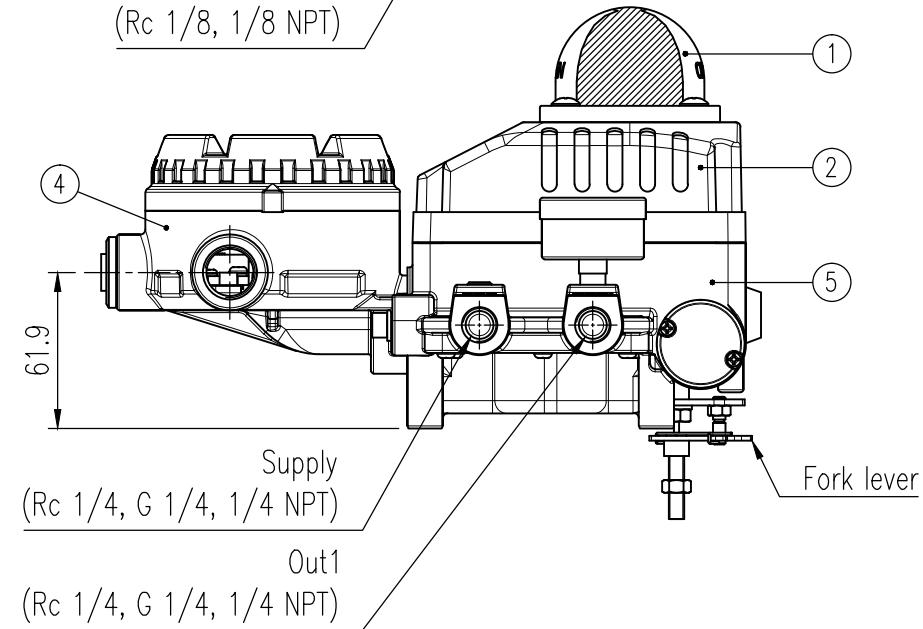
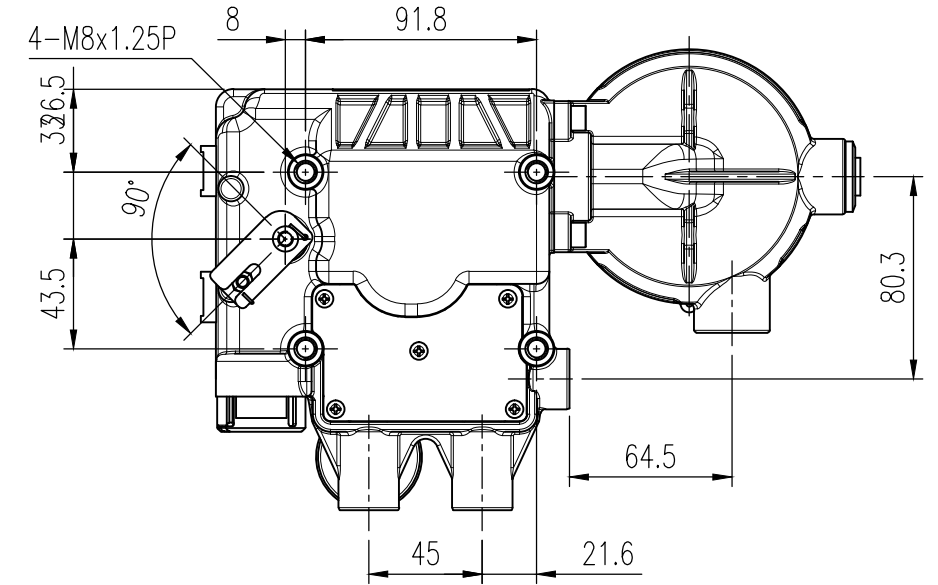
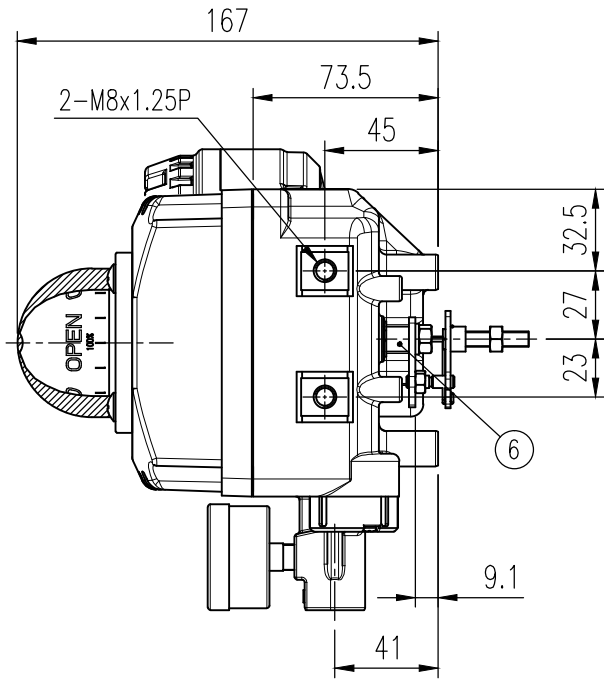
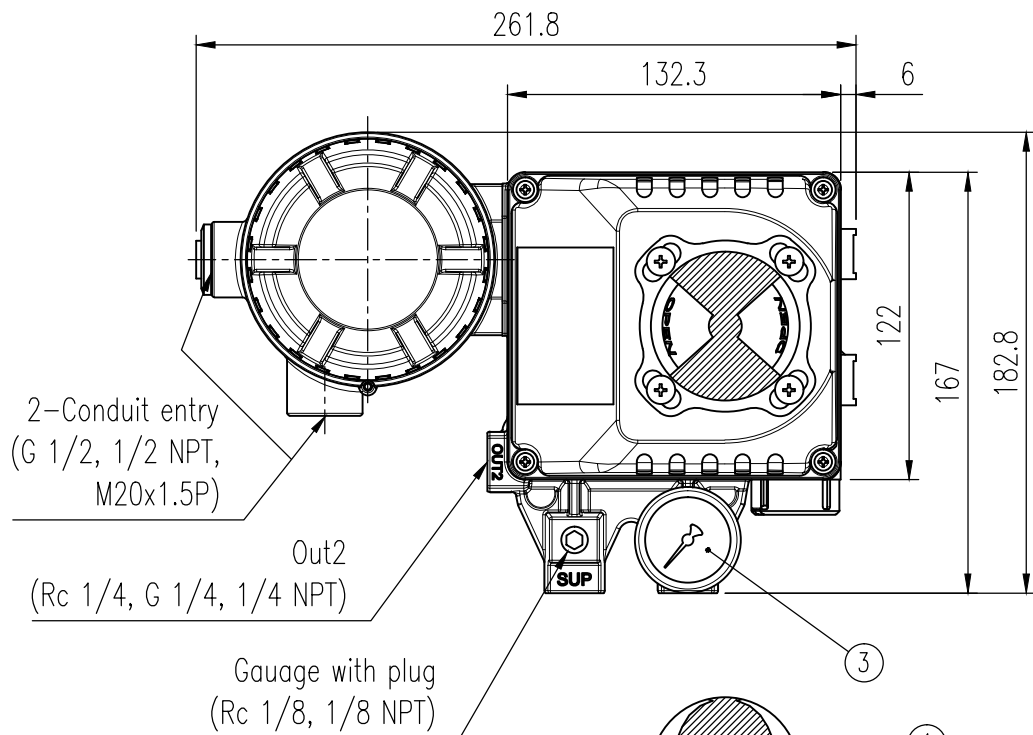


REV.NO.	REVISION DESCRIPTION	DRAWN / DATE	REVIEWED / DATE	APPROVED / DATE
△	First issued	KDH/20121101	JCS/20121101	LYH/20121101
△	Drawing arrangement	KBJ/20121112	JCS/20121112	LYH/20121112
△	Drawing arrangement	KDH/20130214	JCS/20130214	LYH/20130214
△	Company name changed	KSH/20191018	KCH/20191018	KTJ/20191018



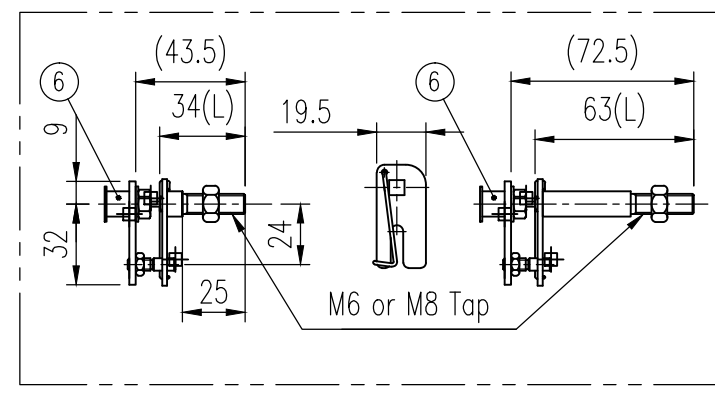
Specification (SPTM)

Smart position transmitter	
Input Type	2 Wire
Input Signal	10 ~ 150mm
Output Signal	4 ~ 20mA DC
External load Resistance	$R_{ext} \leq (V_s - 9) / 20mA$, 750 ohms @ $V_s = 24V$
Supply Voltage	$V_s : 9 \sim 28V$ DC
Linearity	±1% F.S.
Hysteresis	±0.2% F.S.
Sensitivity	±0.2% F.S.

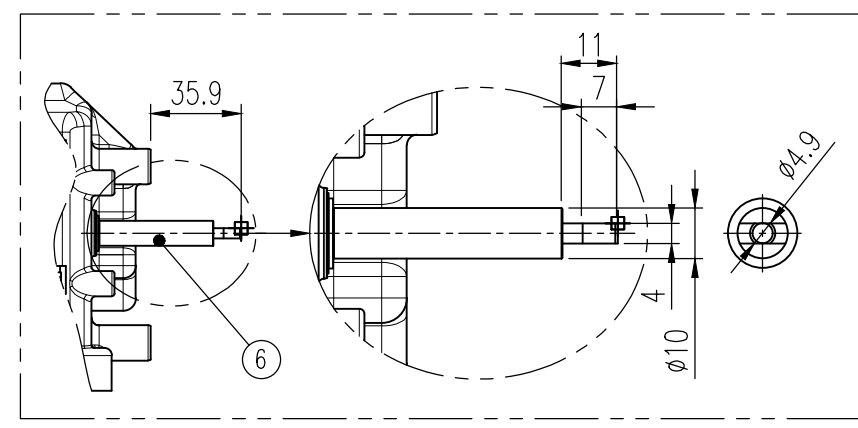
Specification (Positioner)

Applicable Fluid	Air				
Acting Type	<input type="checkbox"/> Single		<input type="checkbox"/> Double		
Input Signal	4 ~ 20 mA DC				
Impedance	250±15Ω				
Supply Pressure	0.14 ~ 0.7MPa (1.4 ~ 7bar)				
Stroke	55 ~ 100°				
Conduit entry, Air Connection, Gauge Connection	G 1/2, Rc 1/4	G 1/2, 1/4 NPT	G 1/2, 1/8 NPT	M20x1.5P, 1/4 NPT, 1/8 NPT	1/2 NPT, 1/4 NPT, 1/8 NPT
Explosion Proof	Non-Explosion				
Operating Temp.	Standard	<input type="checkbox"/> -20°C ~ 70°C (-4 ~ 158°F)			
	Low	<input type="checkbox"/> -40°C ~ 70°C (-40 ~ 158°F)			

Linearity	Single	±1.0% F.S.
	Double	±2.0% F.S.
Hysteresis		±1.0% F.S.
Sensitivity	Single	±0.2% F.S.
	Double	±0.5% F.S.
Repeatability		±0.5% F.S.
Flow Capacity	> 80 LPM (Sup.=0.14MPa, 1.4bar)	
Air Consumption	< 2.5 LPM (Sup.=0.14MPa, 1.4bar)	
Ingress Protection IP66		
Weight 2.8kg (6.2lb)		
Feedback connection type	<input type="checkbox"/> M6x34L	<input type="checkbox"/> M6x63L
	<input type="checkbox"/> M8x34L	<input type="checkbox"/> M8x63L
<input type="checkbox"/> NAMUR		
Housing Material Aluminum		



Fork lever type



NAMUR shaft type

No.	Part name	Material	Q'ty	Remark
1	Indicator dome	Polycarbonate	1	
2	Base cover	ALDC12	1	
3	Pressure gauge	STS 304	1	
4	Junction box	ALDC12	1	
5	Base body	ALDC12	1	
6	Main shaft	STS303	1	Fork lever or NAMUR

SURFACE TEXTURE	PRODUCT NAME	
FINISH TREATMENT	E/P Positioner	
MATERIAL	MODEL	SCALE
OTHERWISE NOTE	PROJECTION	1 / 3
GENERAL-TOLERANCE	QUANTITY	SHEET No.
	1	1 / 1

PROJECT NAME	
rotork Rotork YTC Limited	
GMPQ-SI, KOREA	
TITLE SPTM(No LCD) internal + Dome + RotaryPositioner drawing	
DRAWING NO.	REV.
YT-1000R-13	3