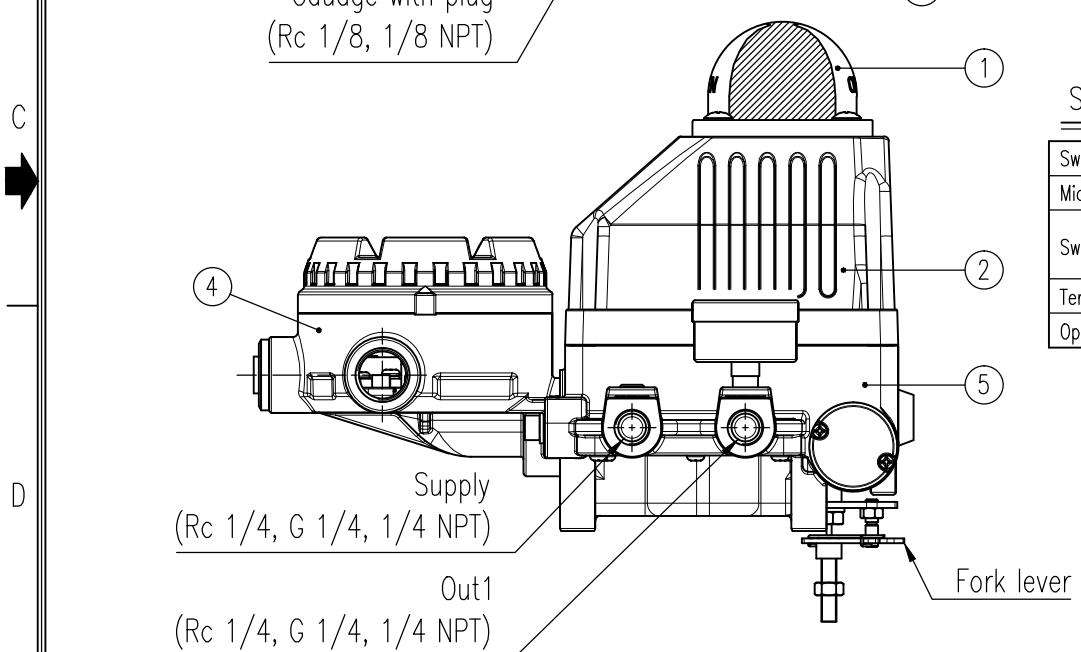
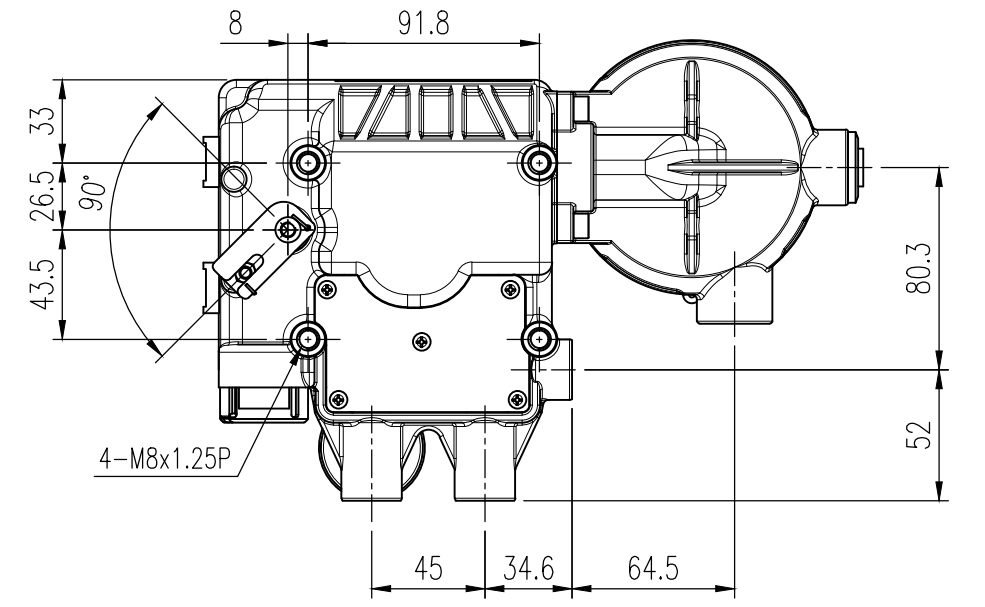
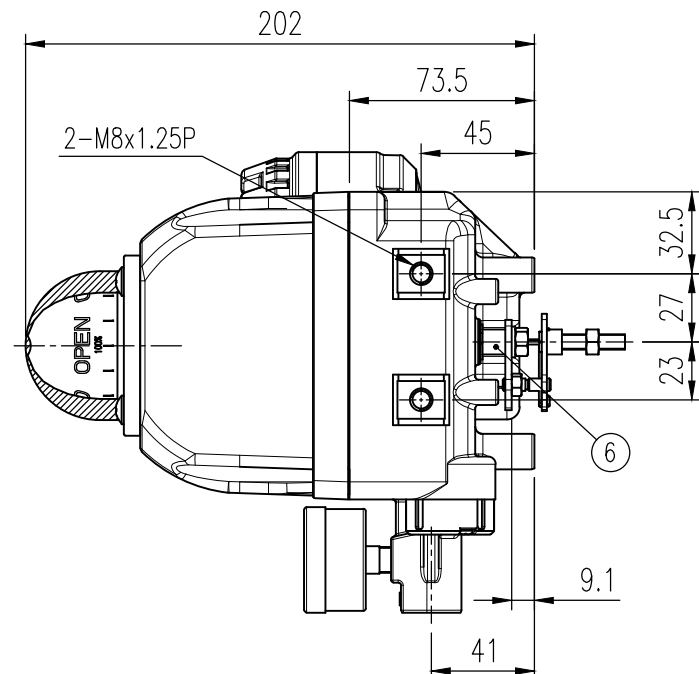
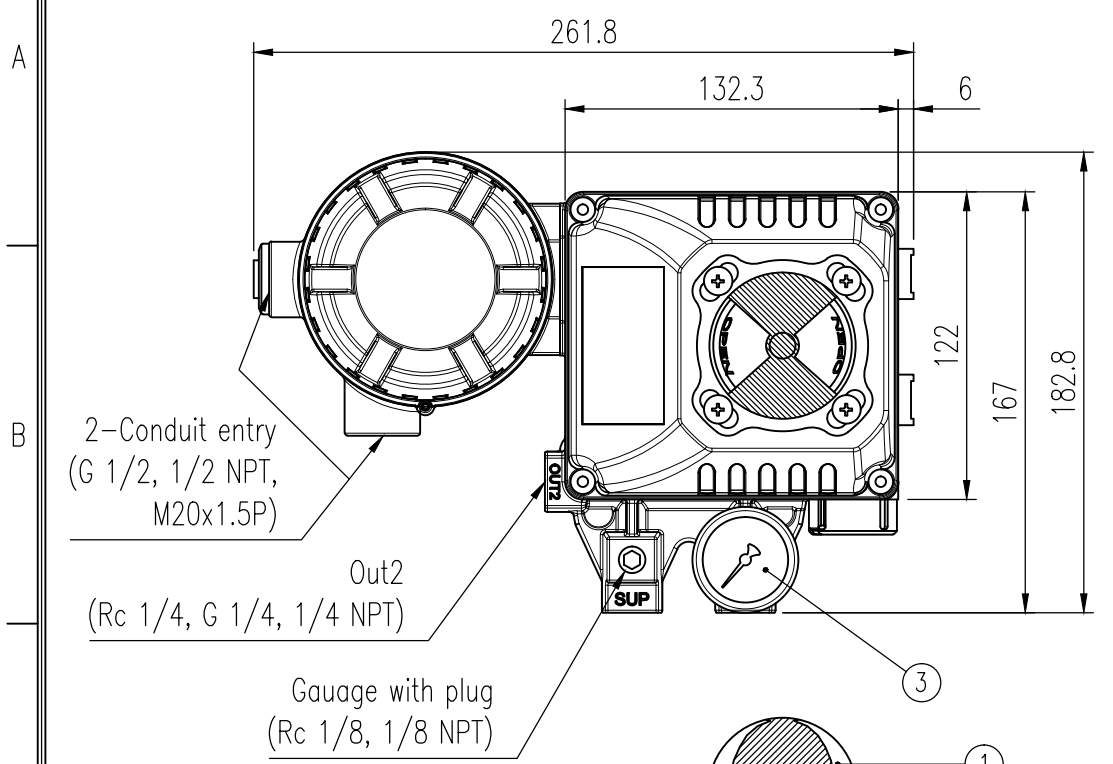


REV.NO.	REVISION DESCRIPTION	DRAWN / DATE	REVIEWED / DATE	APPROVED / DATE
△	First issued	KCH/20111026	JCS/20111026	LYH/20111026
	Omission in the middle			
△	Drawing arrangement	KSH/20180720	JCS/20180720	KTJ/20180720
△	Company name changed	KSH/20191024	JCS/20191024	KTJ/20191024

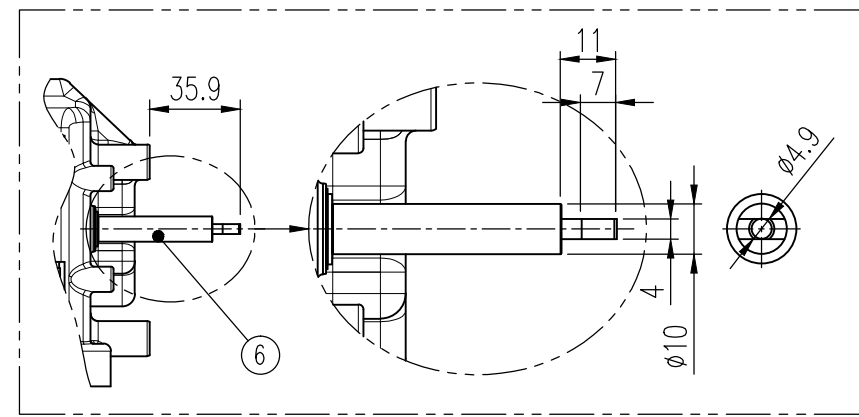
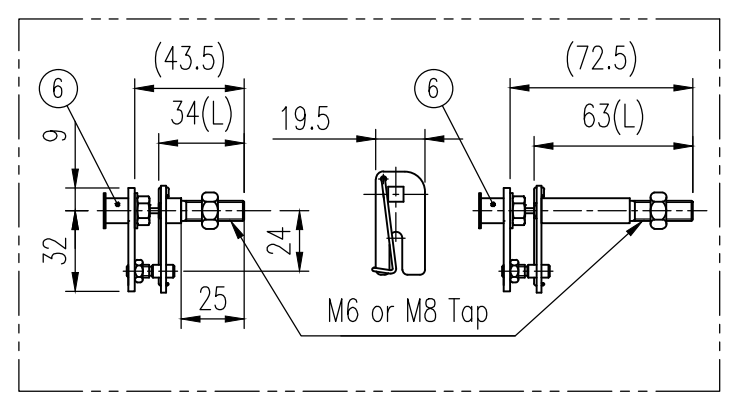


Specification (L/S)

Switch Type	Mechanical Switch (2 x SPDT)
Micro Switch Model	V-165-1A5 (OMRON)
Switch Rating	AC 250V 16A
	DC 125V 0.6A, 250V 0.3A
Terminal	8 Points
Operating Temp.	-25°C ~ 80°C

Specification (Positioner)

Applicable Fluid	Air		Linearity	Single	±1.0% F.S.
Acting Type	<input type="checkbox"/> Single	<input type="checkbox"/> Double	Double		±2.0% F.S.
Input Signal	4 ~ 20 mA DC		Hysteresis		±1.0% F.S.
Impedance	250±15Ω		Sensitivity	Single	±0.2% F.S.
Supply Pressure	0.14 ~ 0.7MPa (1.4 ~ 7bar)		Double		±0.5% F.S.
Stroke	10 ~ 150mm		Repeatability		±0.5% F.S.
Conduit entry, Air Connection, Gauge Connection	G 1/2, <input type="checkbox"/> Rc 1/4, Rc 1/8	G 1/2, <input type="checkbox"/> 1/4 NPT, 1/8 NPT	Flow Capacity	> 80 LPM (Sup.=0.14MPa, 1.4bar)	
	G 1/2, <input type="checkbox"/> G 1/4, 1/8 NPT	M20x1.5P, <input type="checkbox"/> 1/4 NPT, 1/8 NPT	Air Consumption	< 2.5 LPM (Sup.=0.14MPa, 1.4bar)	
Explosion Proof	Non-Explosion		Ingress Protection	IP66	
Operating Temp.	-20°C ~ 70°C (-4 ~ 158°F)		Weight	2.8kg (6.2 lb)	
			Feedback connection type	<input type="checkbox"/> M6x34L <input type="checkbox"/> M8x34L	<input type="checkbox"/> M6x63L <input type="checkbox"/> M8x63L <input type="checkbox"/> NAMUR
			Housing Material	Aluminum	



No.	Part name	Material	Q'ty	Remark
1	Indicator dome	Polycarbonate	1	
2	Base cover	ALDC12	1	
3	Pressure gauge	STS304	1	
4	Junction box	ALDC12	1	
5	Base body	ALDC12	1	
6	Main shaft	STS303	1	Fork lever or NAMUR

SURFACE TEXTURE		PRODUCT NAME		PROJECT NAME	
-		E/P Positioner		-	
FINISH TREATMENT		MODEL		TITLE	
-		YT-1000R		L/S internal + Dome+ Rotary Positioner drawing	
MATERIAL		PROJECTION	SCALE	DRAWING NO.	
-		3rd	1 / 3	YT-1000R-12	
OTHERWISE NOTE		GENERAL TOLERANCE	QUANTITY	REV.	
-		-	1	4	
			SHEET No.		
			1 / 1		