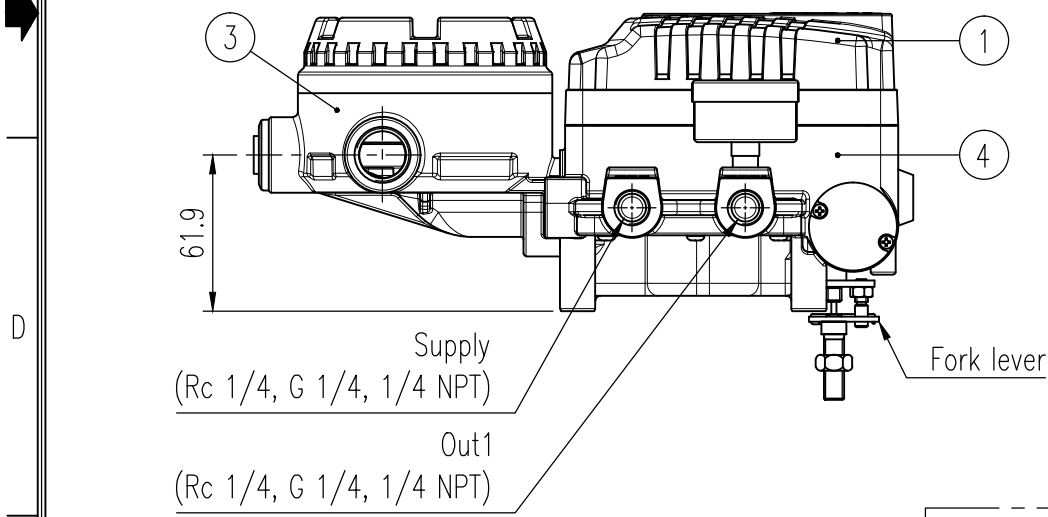
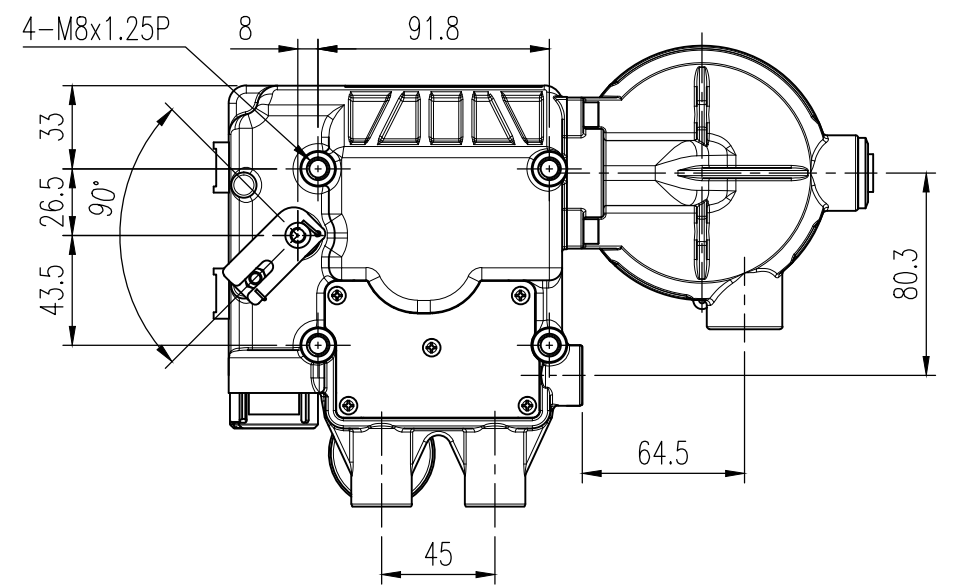
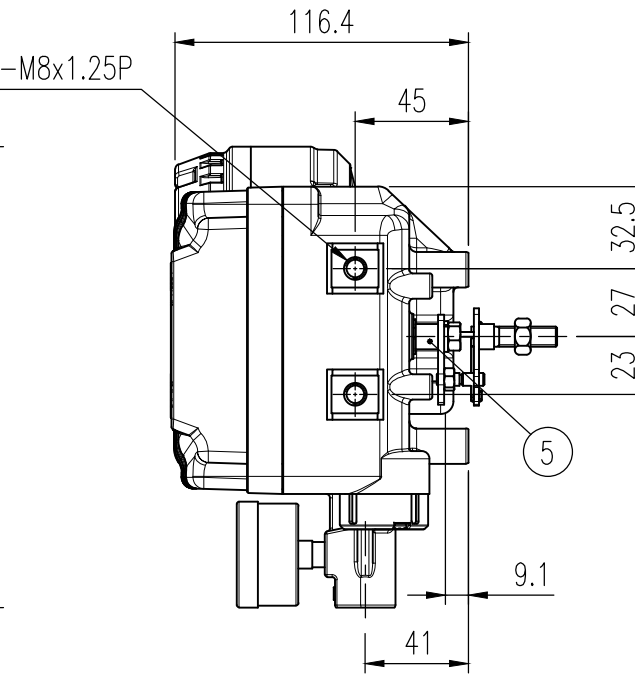
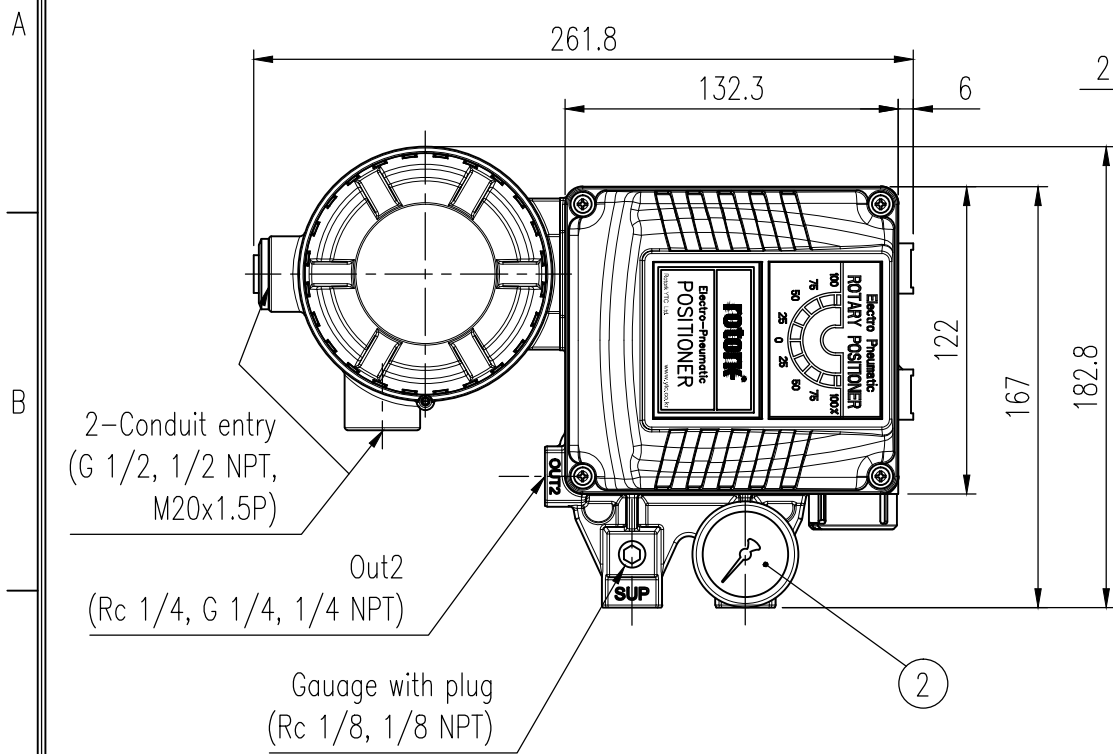


REV.NO.	REVISION DESCRIPTION	DRAWN / DATE	REVIEWED / DATE	APPROVED / DATE
△1	First issued	KDH/20121101	JCS/20121101	LYH/20121101
	Omission in the middle			
△2	Drawing arrangement	KDH/20130214	JCS/20130214	LYH/20130214
△3	Company name changed	KSH/20191021	KCH/20191021	KTJ/20191021



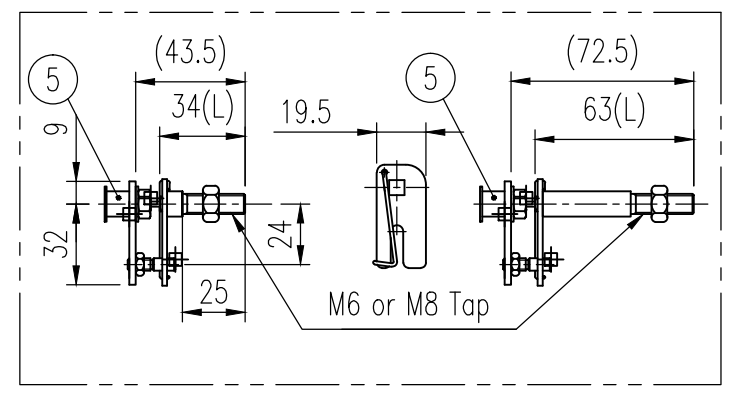
Specification (SPTM)

Smart position transmitter	
Input Type	2 Wire
Input Signal	10 ~ 150mm
Output Signal	4 ~ 20mA DC
External load Resistance	$R_{ext} \leq (V_s - 9) / 20mA$, 750 ohms @ $V_s = 24V$
Supply Voltage	$V_s : 9 \sim 28V$ DC
Linearity	$\pm 1\%$ F.S.
Hysteresis	$\pm 0.2\%$ F.S.
Sensitivity	$\pm 0.2\%$ F.S.

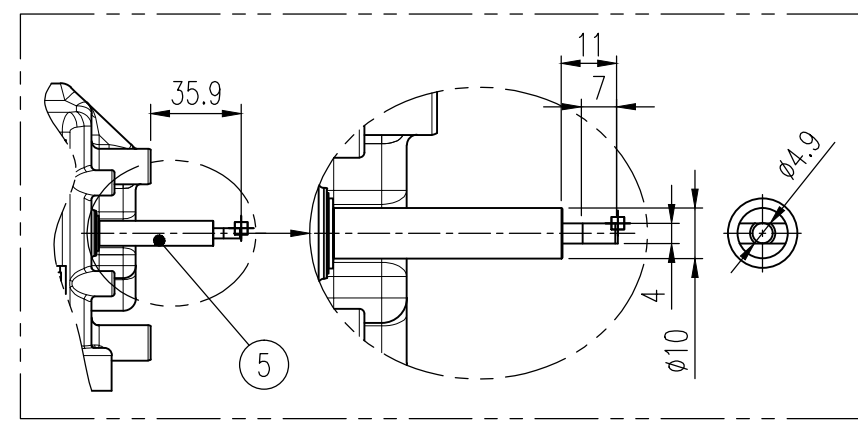
Specification (Positioner)

Applicable Fluid	Air	
Acting Type	<input type="checkbox"/> Single	<input type="checkbox"/> Double
Input Signal	4 ~ 20 mA DC	
Impedance	250±15Ω	
Supply Pressure	0.14 ~ 0.7MPa (1.4 ~ 7bar)	
Stroke	55 ~ 100°	
Conduit entry, Air Connection, Gauge Connection	G 1/2, Rc 1/4, Rc 1/8	G 1/2, 1/4 NPT, 1/8 NPT
	M20x1.5P, 1/4 NPT, 1/8 NPT	1/2 NPT, 1/4 NPT, 1/8 NPT
Explosion Proof	Non-Explosion	
Operating Temp.	Standard	<input type="checkbox"/> -20°C ~ 70°C (-4 ~ 158°F)
	Low	<input type="checkbox"/> -40°C ~ 70°C (-40 ~ 158°F)

Linearity	Single	±1.0% F.S.
	Double	±2.0% F.S.
Hysteresis		±1.0% F.S.
Sensitivity	Single	±0.2% F.S.
	Double	±0.5% F.S.
Repeatability		±0.5% F.S.
Flow Capacity	> 80 LPM (Sup.=0.14MPa, 1.4bar)	
Air Consumption	< 2.5 LPM (Sup.=0.14MPa, 1.4bar)	
Ingress Protection	IP66	
Weight	2.8kg (6.2lb)	
Feedback connection type	<input type="checkbox"/> M6x34L	<input type="checkbox"/> M6x63L
	<input type="checkbox"/> M8x34L	<input type="checkbox"/> M8x63L
	<input type="checkbox"/> NAMUR	
Housing Material	Aluminum	



Fork lever type



NAMUR shaft type

No.	Part name	Material	Q'ty	Remark
1	Base cover	ALDC12	1	
2	Pressure gauge	STS304	1	
3	Junction box	ALDC12	1	
4	Base body	ALDC12	1	
5	Main shaft	STS303	1	Fork lever or NAMUR

SURFACE TEXTURE	PRODUCT NAME		PROJECT NAME	
	E/P Positioner			
FINISH TREATMENT	MODEL		TITLE	
	YT-1000R		SPTM(No LCD) internal + Rotary Positioner drawing	
MATERIAL	PROJECTION	SCALE	DRAWING NO.	
	3rd	1 / 3	YT-1000R-11	
OTHERWISE NOTE	GENERAL TOLERANCE	QUANTITY	SHEET No.	REV.
		1	1 / 1	10

YTC YOUNG TECH CO., LTD.
 GMPD-SI, KOREA
 TITLE: SPTM(No LCD) internal + Rotary Positioner drawing
 DRAWING NO.: YT-1000R-11
 REV.: 10