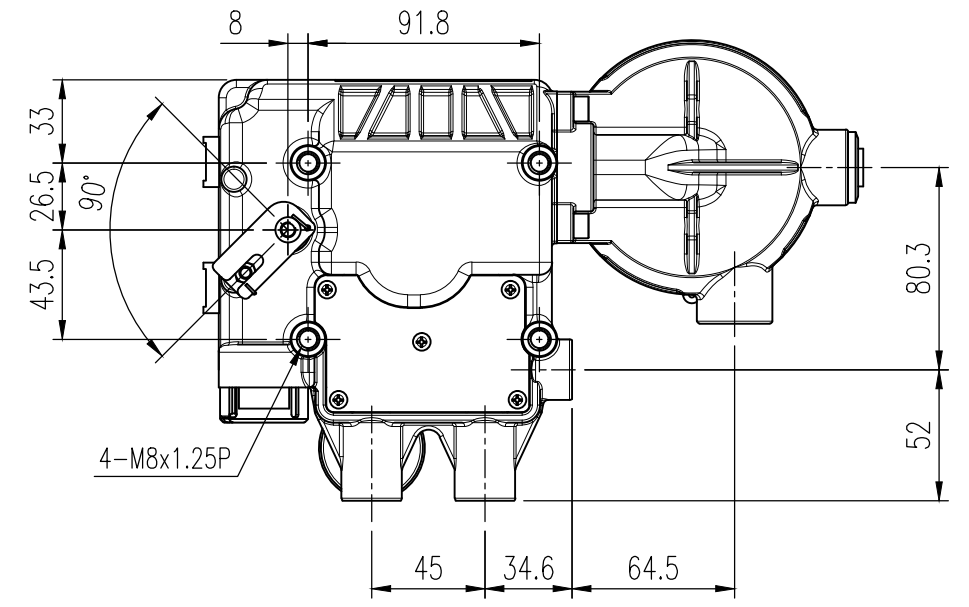
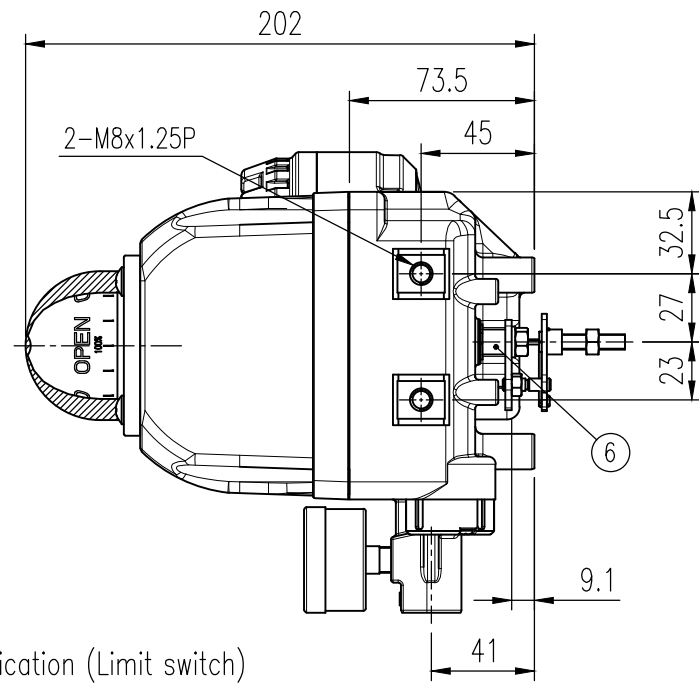
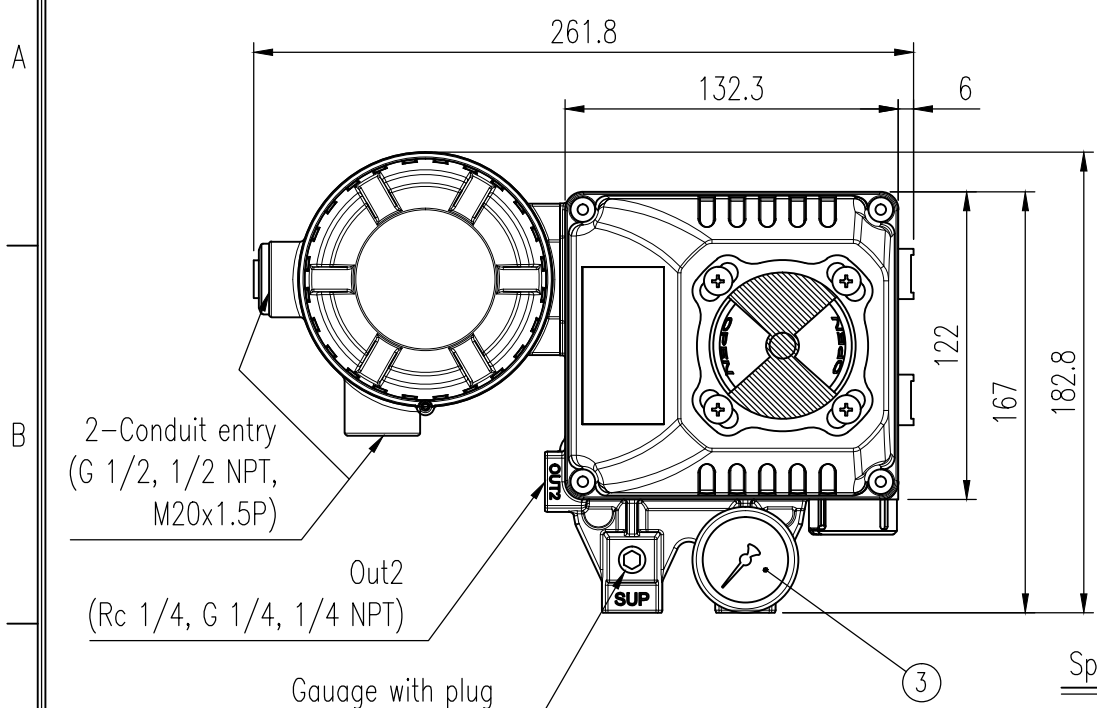


REV.NO.	REVISION DESCRIPTION	DRAWN / DATE	REVIEWED / DATE	APPROVED / DATE
△1	First issued	KCH/20111026	JCS/20111026	LYH/20111026
	Omission in the middle			
△2	Drawing arrangement	KSH/20180720	JCS/20180720	KTJ/20180720
△3	Company name changed	KSH/20191018	JCS/20191018	KTJ/20191018



Specification (Limit switch)

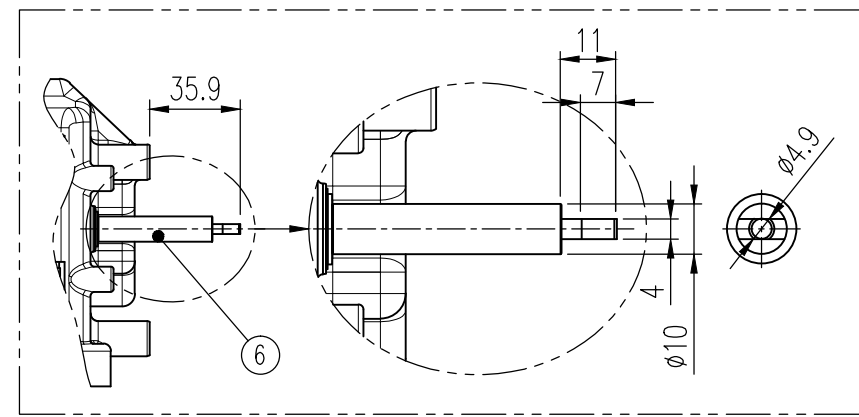
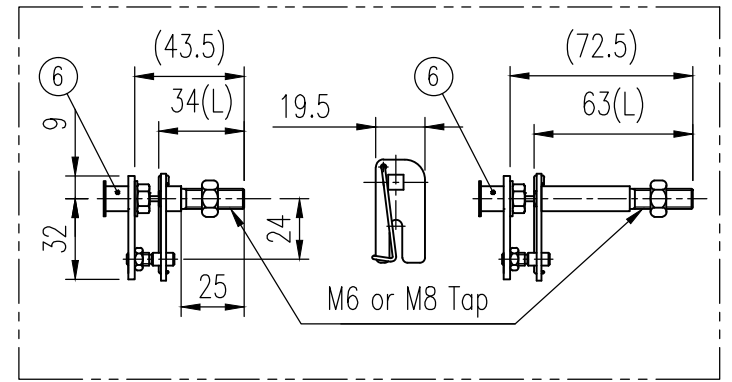
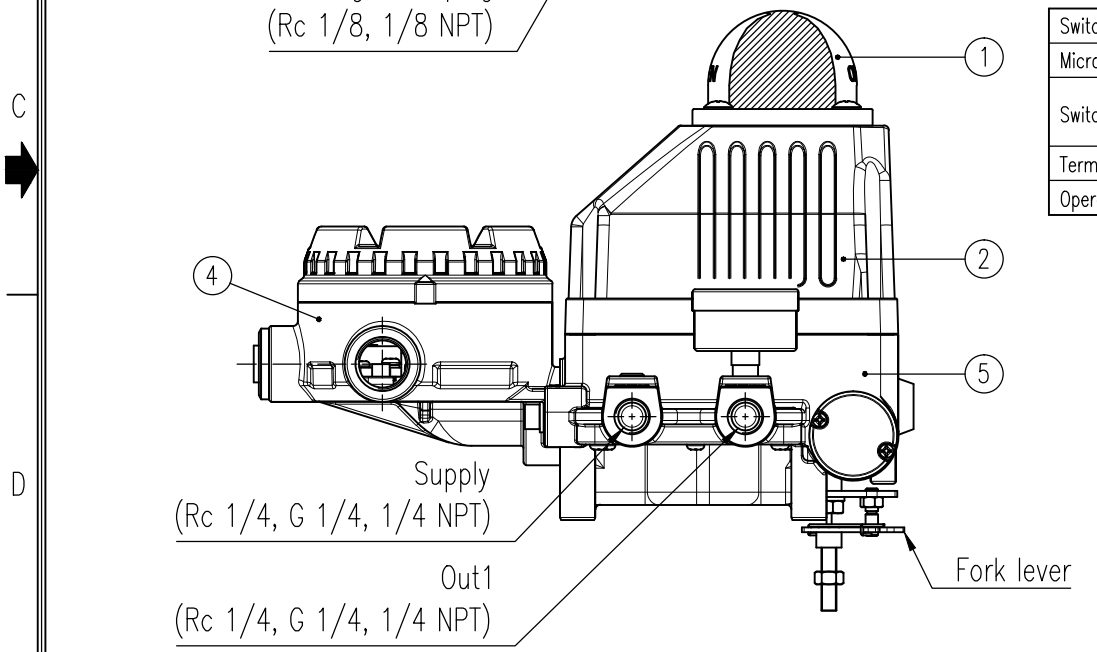
Switch Type	Mechanical Switch (2 x SPDT)	
Micro Switch Model	V-165-1A5 (OMRON)	
Switch Rating	AC	250V 16A
	DC	125V 0.6A, 250V 0.3A
Terminal	8 Points	
Operating Temp.	-25°C ~ 80°C	

Specification (Positioner)

Applicable Fluid	Air		Linearity	Single	±1.0% F.S.		
Acting Type	<input type="checkbox"/> Single	<input type="checkbox"/> Double	Linearity	Double	±2.0% F.S.		
Input Signal	4 ~ 20 mA DC				Hysteresis	±1.0% F.S.	
Impedance	250±15Ω				Sensitivity	Single	±0.2% F.S.
Supply Pressure	0.14 ~ 0.7MPa (1.4 ~ 7bar)				Sensitivity	Double	±0.5% F.S.
Stroke	10 ~ 150mm				Repeatability	±0.5% F.S.	
Conduit entry, Air Connection, Gauge Connection	G 1/2, Rc 1/4	G 1/2, 1/4 NPT	G 1/2, 1/8 NPT	M20x1.5P, 1/4 NPT, 1/8 NPT	Flow Capacity	> 80 LPM (Sup.=0.14MPa, 1.4bar)	
	Rc 1/8	1/8 NPT	1/8 NPT	1/8 NPT, 1/8 NPT	Air Consumption	< 2.5 LPM (Sup.=0.14MPa, 1.4bar)	
Explosion Proof	Non-Explosion				Ingress Protection	IP66	
Operating Temp.	-20°C ~ 70°C (-4 ~ 158°F)				Weight	2.8kg (6.2 lb)	
					Feedback connection type	<input type="checkbox"/> M6x34L	<input type="checkbox"/> M6x63L
						<input type="checkbox"/> M8x34L	<input type="checkbox"/> M8x63L
							<input type="checkbox"/> NAMUR
					Housing Material	Aluminum	

Specification (SPTM)

Smart position transmitter	
Input Type	2 Wire
Input Signal	10 ~ 150mm
Output Signal	4 ~ 20mA DC
External load Resistance	Rext ≤ (Vs-9) / 20mA, 750 ohms @Vs = 24V
Supply Voltage	Vs : 9 ~ 28V DC
Linearity	±1% F.S.
Hysteresis	±0.2% F.S.
Sensitivity	±0.2% F.S.



No.	Part name	Material	Q'ty	Remark
1	Indicator dome	Polycarbonate	1	
2	Base cover	ALDC12	1	
3	Pressure gauge	STS 304	1	
4	Junction box	ALDC12	1	
5	Base body	ALDC12	1	
6	Main shaft	STS303	1	Fork lever or NAMUR

SURFACE TEXTURE	PRODUCT NAME	E/P Positioner	
FINISH TREATMENT	MODEL	YT-1000R	
MATERIAL	PROJECTION	SCALE	1 / 3
OTHERWISE NOTE	GENERAL TOLERANCE	QUANTITY	1
		SHEET No.	1 / 1

PROJECT NAME		rotork® Rotork YTC Limited	
		GIMPO-SI, KOREA	
TITLE		L/S & SPTM internal + Dome + Rotary Positioner drawing	
DRAWING NO.		YT-1000R-10	
REV.		8	