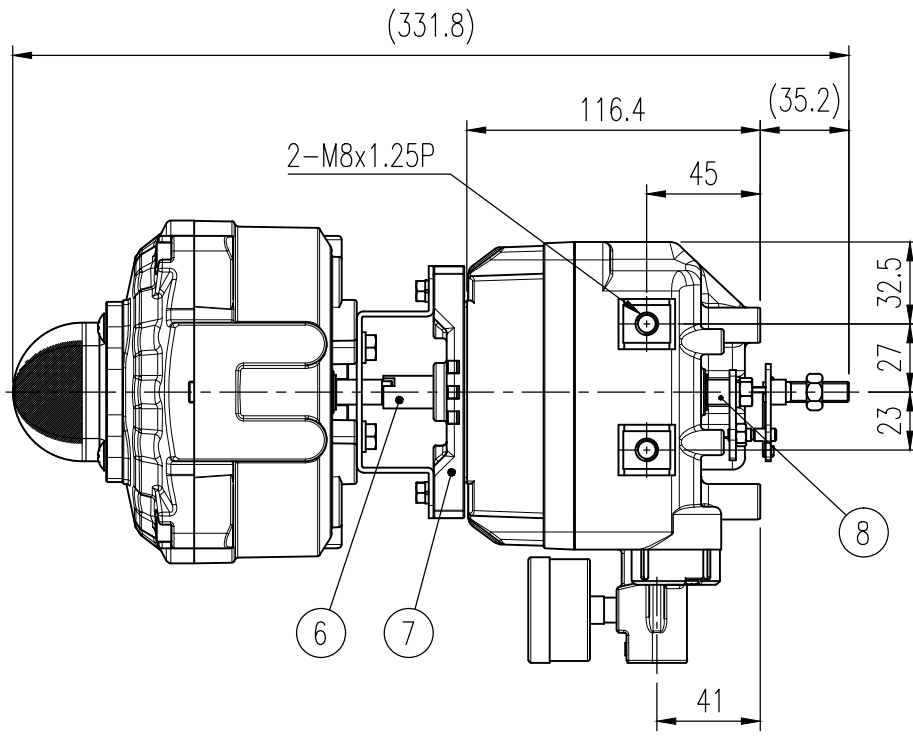
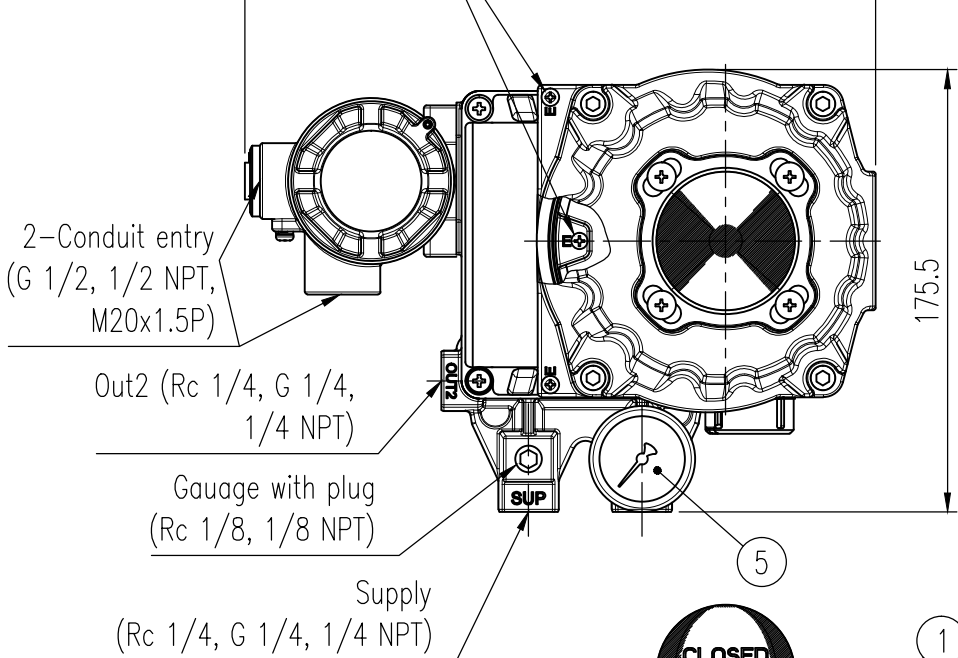
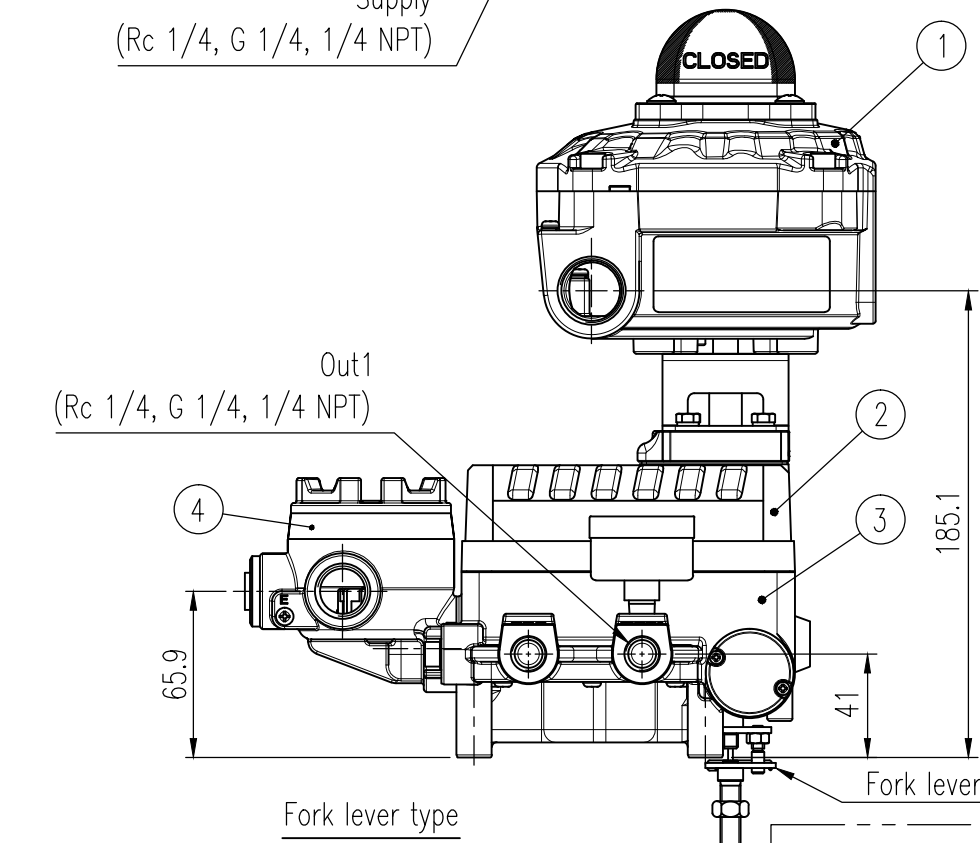
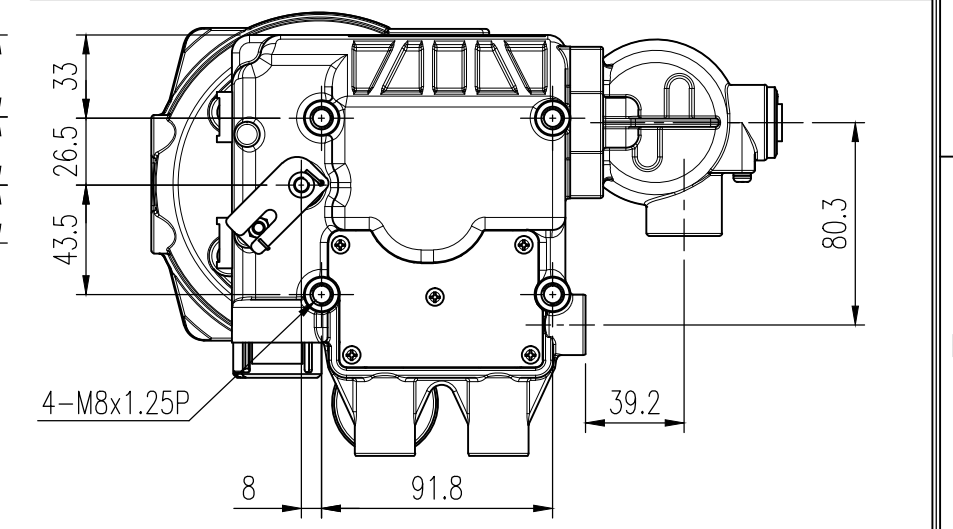


Earth (External, Internal)

1. Minimum Size Wire 1mm or 18AWG.
2. M4x5 Round Head Screw
3. M4 Spring washer



REV.NO.	REVISION DESCRIPTION	DRAWN / DATE	REVIEWED / DATE	APPROVED / DATE
△	ISSUE FOR APPROVAL	HSS/20090128		LYH/20090128
	SEE PREVIOUS DRAWING			
△	DRAWING ARRANGEMENT	KSH/20180801	JCS/20180801	KTJ/20180801
△	Company name changed	KSH/20191024	KCH/20191024	KTJ/20191024



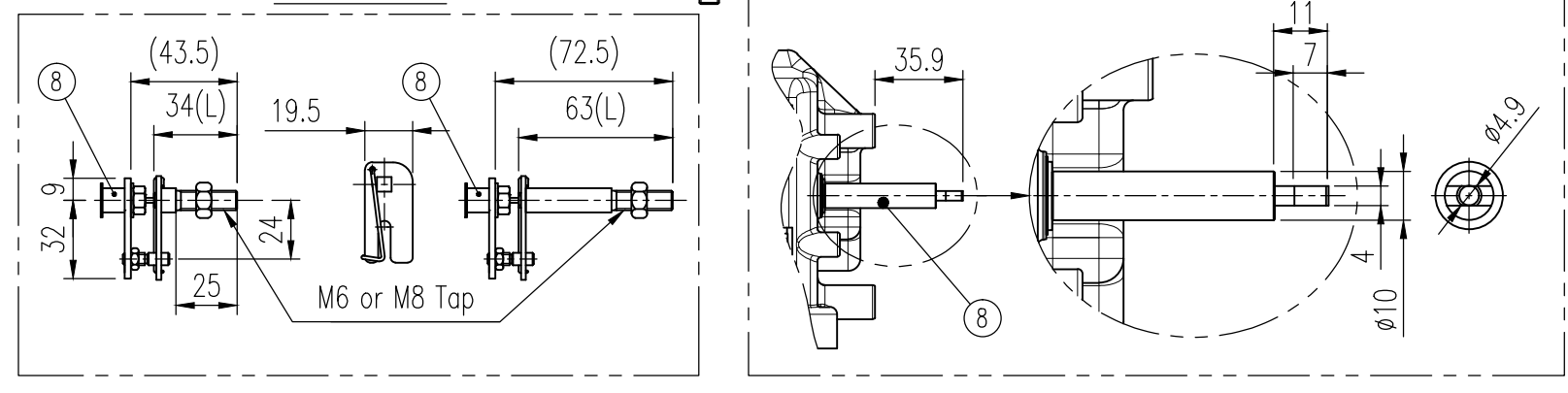
No.	Part name	Material	Q'ty	Remark
1	YT-870	-	1	
2	Base cover	ALDC12	1	
3	Base body	ALDC12	1	
4	Junction box	ALDC12	1	
5	Pressure gauge	STS304	1	
6	Adapter	STS303	1	
7	Bracket block	ALDC12	1	
8	Main shaft	STS303	1	Fork lever, Namur

Specification {YT-870(Limit switch & SPTM) External}

Model		YT-870
Limit Switch	Switch Type	Mechanical Switch(2 x SPDT) SS5GL (OMRON)
	Switch Rating	AC 250V 3A, 125V 5A
		DC 250V 0.2A, 125V 0.4A, 30VDC 4A, 14VDC 5A, 8VDC 5A
Terminal	8 Point	
SPTM	Input Type	2 Wire
	Load Resistance	$R_L \leq \frac{V_s[V] - 9[V]}{I[mA]}$
	Supply Voltage	9~28V DC
	Noise Range	50mV p.p
Ingress Protection	IP67	
Explosion Proof	Flameproof enclosure: KCs, ATEX, IECEx, CSA. Refer to certifications for details.	
Ambient Temp.	-20 ~ 60°C (-4 ~ 140°F)	
Conduit entry	G 3/4	
Housing Material	Aluminum	
Weight	1.5kg (3.3 lb)	

Specification (Positioner)

Applicable Fluid	Air	
Acting Type	<input type="checkbox"/> Single	<input type="checkbox"/> Double
Input Signal	4 ~ 20 mA DC	
Impedance	250±15Ω	
Supply Pressure	0.14 ~ 0.7MPa (1.4 ~ 7bar)	
Stroke	55 ~ 100'	
Conduit entry, Air Connection	<input type="checkbox"/> G 1/2, Rc 1/4	<input type="checkbox"/> G 1/2, 1/4 NPT
	<input type="checkbox"/> G 1/4	<input type="checkbox"/> M20x1.5, 1/4 NPT
	<input type="checkbox"/> 1/4 NPT	<input type="checkbox"/> 1/4 NPT
Gauge Connection	<input type="checkbox"/> Rc 1/8	<input type="checkbox"/> 1/8 NPT
Explosion Proof	Flameproof enclosure and molding. Refer to certifications(KCs, ATEX, IECEx, CSA) for details	
Ambient Temp.	Refer to certifications for details	
Linearity	Single	±1.0% F.S.
	Double	±2.0% F.S.
Hysteresis	±1.0% F.S.	
Sensitivity	Single	±0.2% F.S.
	Double	±0.5% F.S.
Repeatability	±0.5% F.S.	
Flow Capacity	> 80 LPM (Sup.=0.14MPa, 1.4bar)	
Air Consumption	< 2.5 LPM (Sup.=0.14MPa, 1.4bar)	
Ingress Protection	IP66	
Weight	2.8kg (6.2 lb)	
Feedback connection type	<input type="checkbox"/> M6x34L	<input type="checkbox"/> M6x63L
	<input type="checkbox"/> M8x34L	<input type="checkbox"/> M8x63L
	<input type="checkbox"/> NAMUR	
Housing Material	Aluminum	



SURFACE TEXTURE	PRODUCT NAME	E/P positioner		PROJECT NAME
FINISH TREATMENT	MODEL	YT-1000R + YT-870M...		
MATERIAL	PROJECTION	SCALE	TITLE Explosion proof, External L/S + SPTM, Rotary Positioner drawing	
OTHERWISE NOTE	GENERAL TOLERANCE	QUANTITY	SHEET No.	DRAWING NO.
		1	1 / 1	YT-1000R-09
				REV. 5