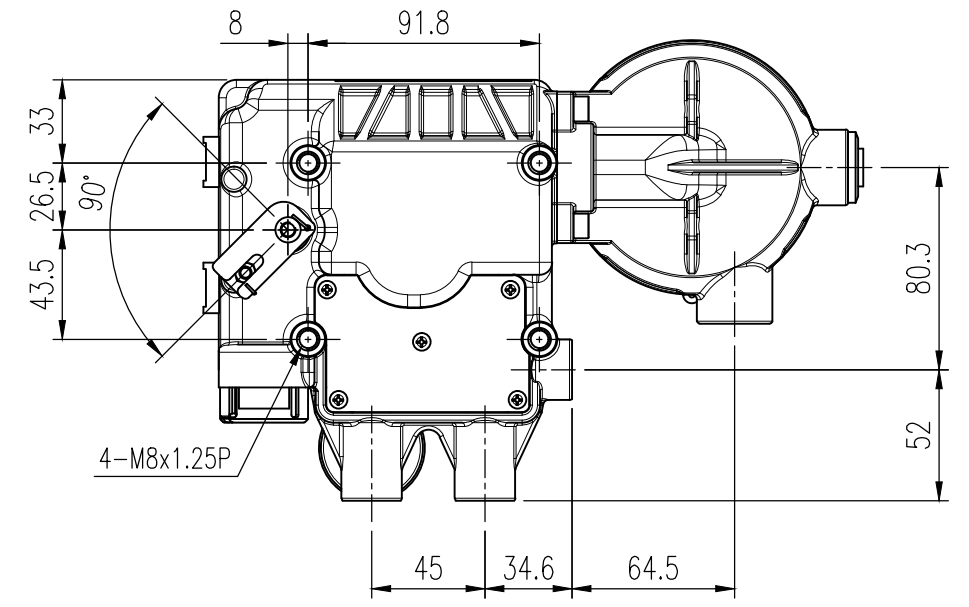
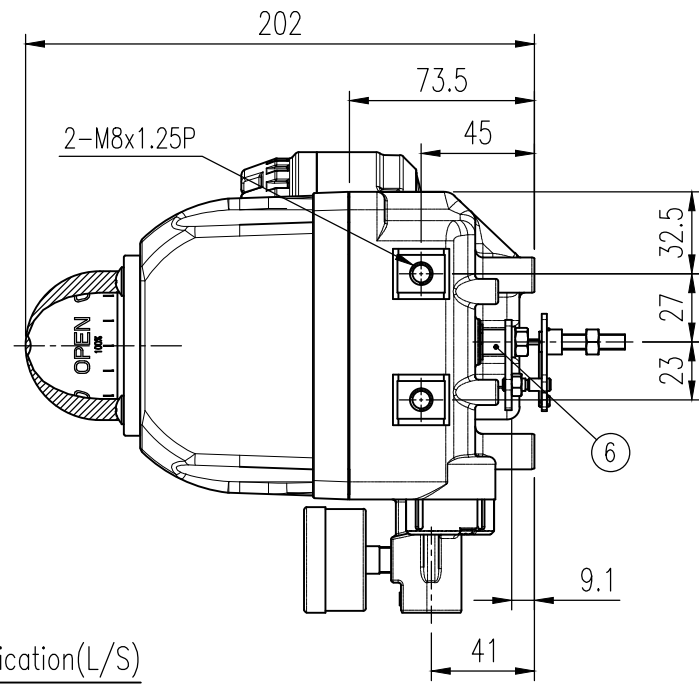
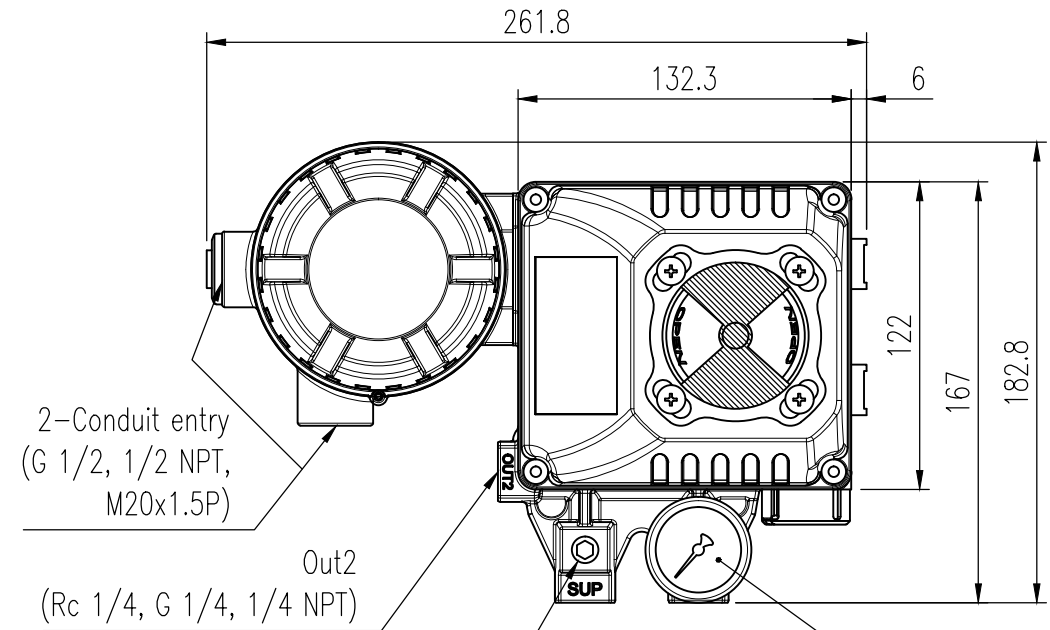


REV.NO.	REVISION DESCRIPTION	DRAWN / DATE	REVIEWED / DATE	APPROVED / DATE
△1	First issued	JCS/20131217		LYH/20131217
△2	Company name changed	KSH/20191024	JCS/20191024	KTJ/20191024



Specification(L/S)

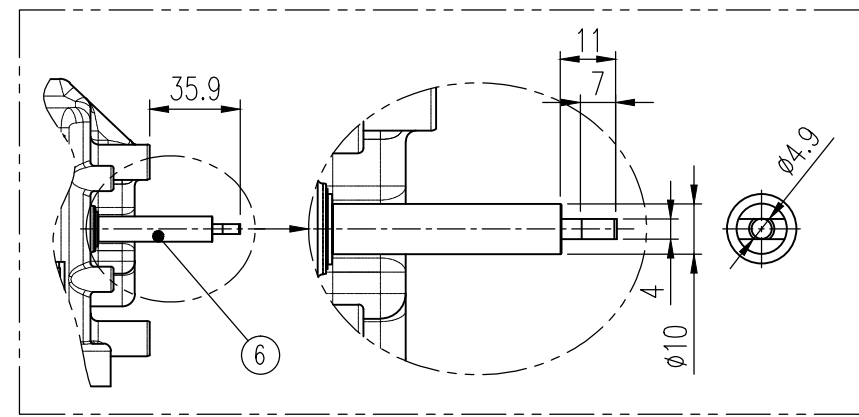
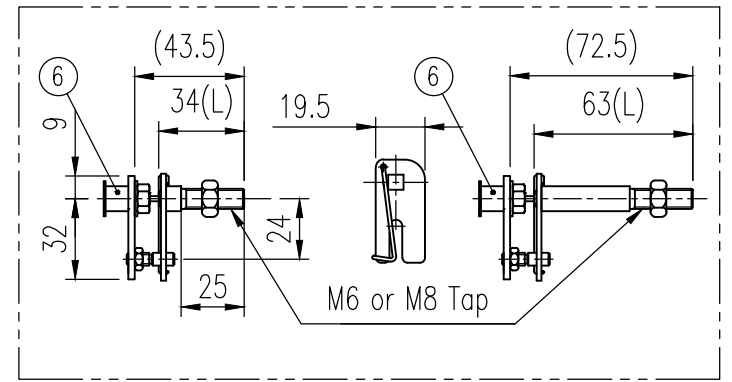
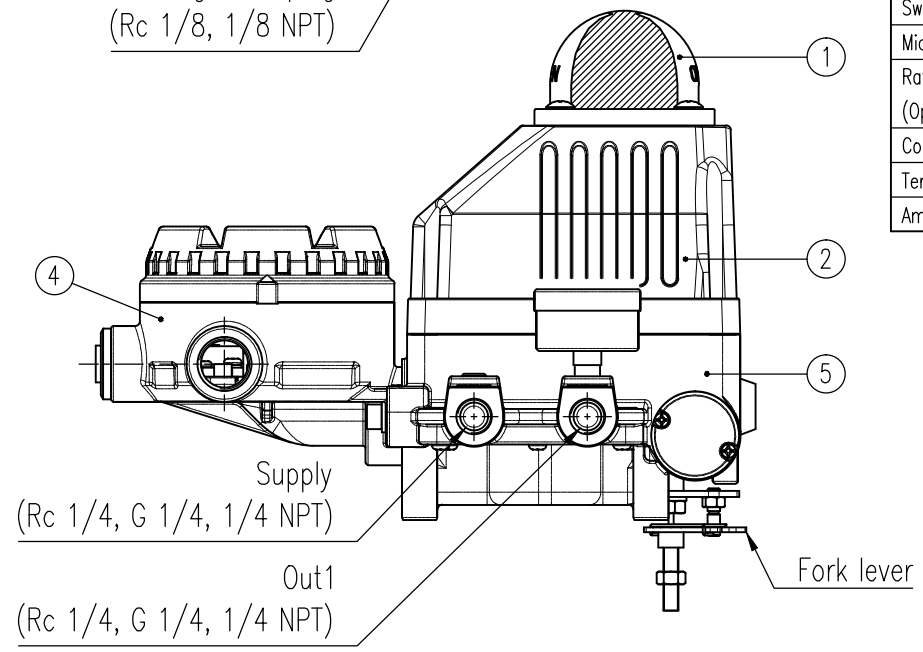
Switch Type	Proximity sensor x 2
Micro Switch Model	E2S-W23 (OMRON)
Rated supply voltage (Operating voltage)	12 to 24 VDC (10 to 30 VDC)
Control output	NPN, NO
Terminal	8 Points
Ambient temperature	-25 ~ 70°C (-13 ~ 158°F)

Specification(Positioner)

Applicable Fluid	Air		Linearity	Single	±1.0% F.S.
Acting Type	<input type="checkbox"/> Single	<input type="checkbox"/> Double	Double		±2.0% F.S.
Input Signal	4 ~ 20 mA DC		Hysteresis	±1.0% F.S.	
Impedance	250±15Ω		Sensitivity	Single	±0.2% F.S.
Supply Pressure	0.14 ~ 0.7MPa (1.4 ~ 7bar)		Double		±0.5% F.S.
Stroke	10 ~ 150mm		Repeatability	±0.5% F.S.	
Conduit entry, Air Connection, Gauge Connection	G 1/2, Rc 1/4	G 1/2, 1/4 NPT, 1/8 NPT	Flow Capacity	> 80 LPM (Sup.=0.14MPa, 1.4bar)	
Explosion Proof	Non-Explosion		Air Consumption	< 2.5 LPM (Sup.=0.14MPa, 1.4bar)	
Operating Temp.	-20°C ~ 70°C (-4 ~ 158°F)		Ingress Protection	IP66	
			Weight	2.8kg (6.2 lb)	
			Feedback connection type	<input type="checkbox"/> M6x34L	<input type="checkbox"/> M6x63L
				<input type="checkbox"/> M8x34L	<input type="checkbox"/> M8x63L
			Housing Material	Aluminum	
				<input type="checkbox"/> NAMUR	

Specification(SPTM, No LCD)

Input Type	2 Wire
Input Signal	10 ~ 150mm
Output Signal	4 ~ 20mA DC
External load Resistance	Rext ≤ (Vs-9) / 20mA, 750 ohms @Vs = 24V
Supply Voltage	Vs : 9 ~ 28V DC
Linearity	±1% F.S.
Hysteresis	±0.2% F.S.
Sensitivity	±0.2% F.S.



No.	Part name	Material	Q'ty	Remark
1	Indicator dome	Polycarbonate	1	
2	Base cover	ALDC12	1	
3	Pressure gauge	STS304	1	
4	Junction box	ALDC12	1	
5	Base body	ALDC12	1	
6	Main shaft	STS303	1	Fork lever or NAMUR

SURFACE TEXTURE	PRODUCT NAME	rotork® Rotork YTC Limited	
FINISH TREATMENT	E/P Positioner	GMPQ-SI, KOREA	
MATERIAL	MODEL	TITLE SPTM & Proximity L/S internal + Dome + Rotary Positioner drawing	
OTHERWISE NOTE	PROJECTION	SCALE	DRAWING NO.
	3rd	1 / 3	YT-1000R-07
GENERAL TOLERANCE	QUANTITY	SHEET No.	REV.
	1	1 / 1	1