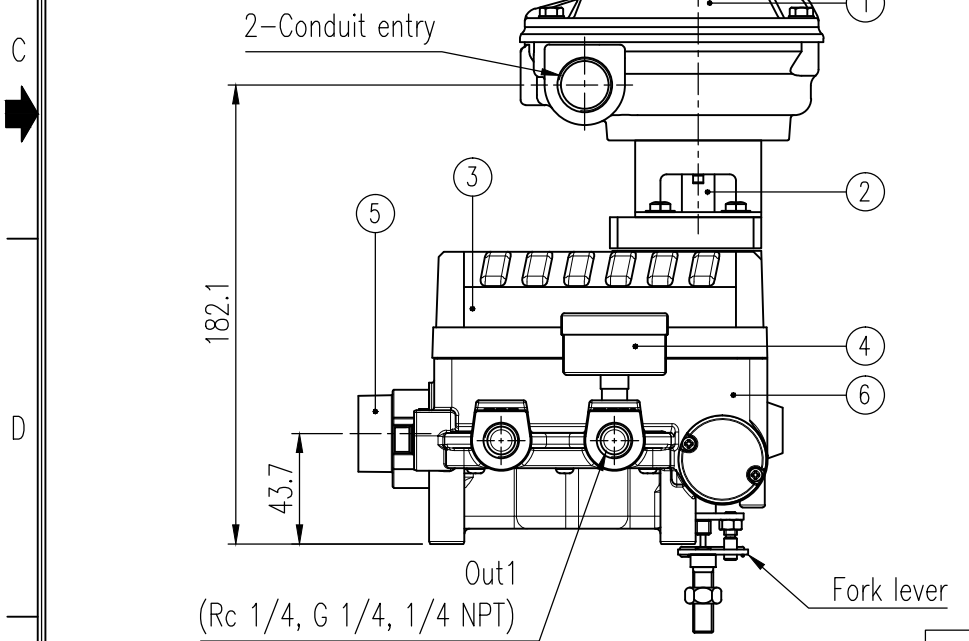
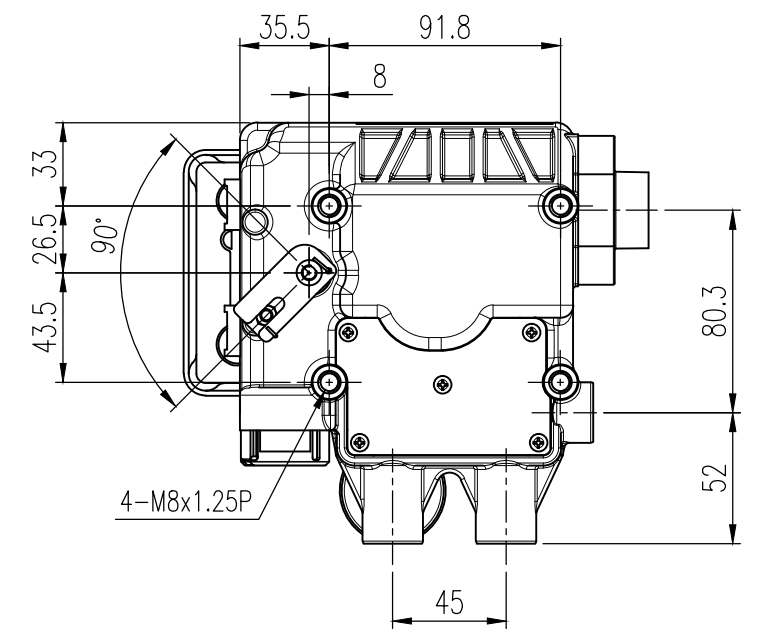
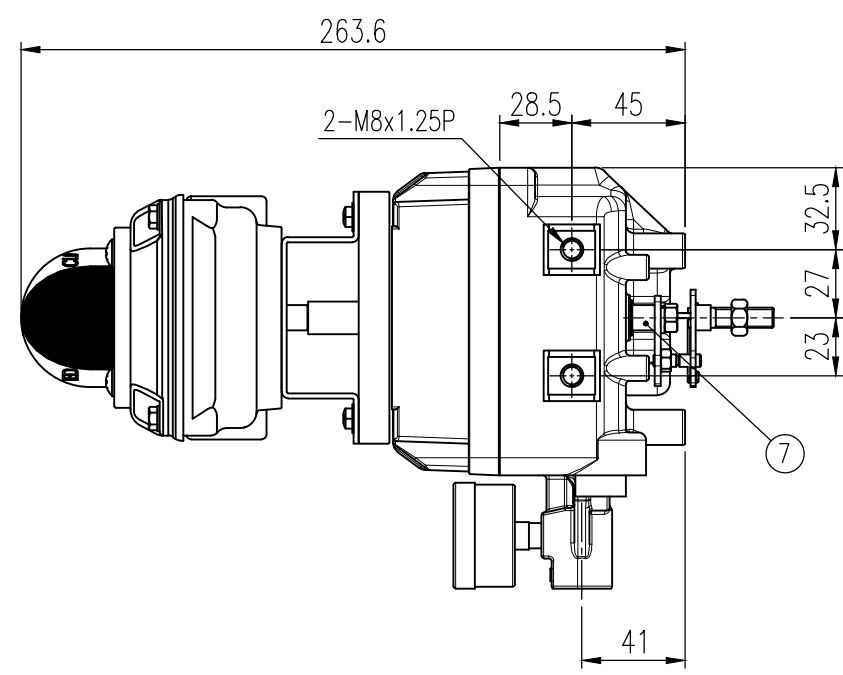
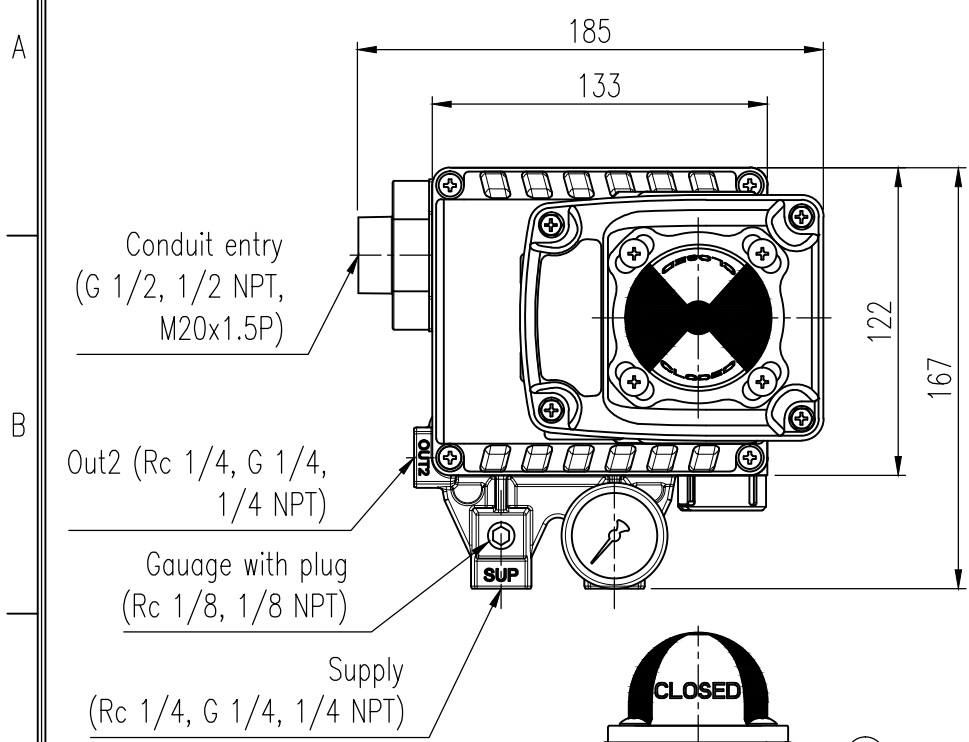


Company name changed KSH/20191021 KCH/20191021 KTJ/20191021

REV.NO.	REVISION DESCRIPTION	DRAWN / DATE	REVIEWED / DATE	APPROVED / DATE
△	First issued	KBJ/20121112	JCS/20121112	LYH/20121112
△	Drawing arrangement	MDK/20110812	JCS/20110812	LYH/20110812
△	Drawing arrangement	KDH/20130214	JCS/20130214	LYH/20130214



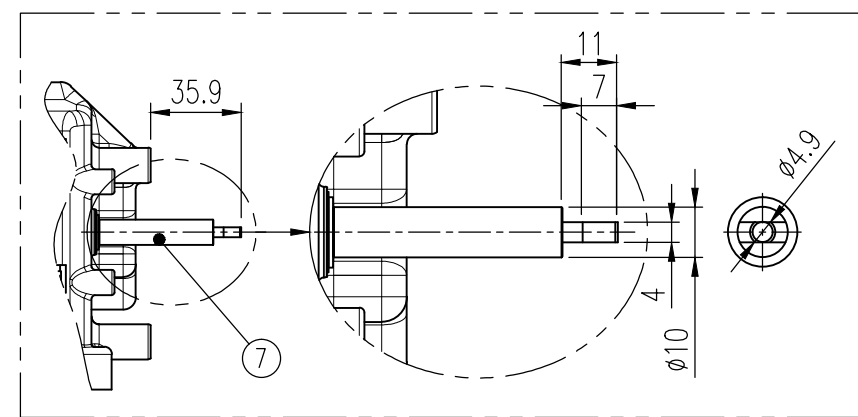
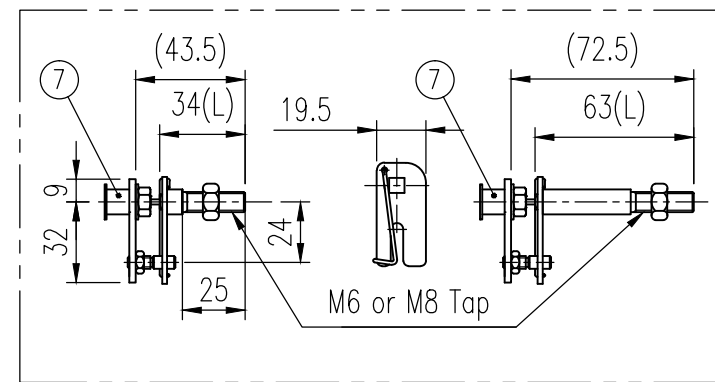
Specification (YT-850 external)

Limit switch external	
Switch Type	Mechanical Type (2 x SPDT)
Model No.	SS5GL(OMRON)
Switch Rating	AC 250V 3A, 125V 5A
	DC 250V 0.2A, 125V 0.4A, 30V 4A, 14V 5A, 8V 5A
Terminal	8 Points
Conduit Entry	<input type="checkbox"/> G 1/2 <input type="checkbox"/> 1/2 NPT <input type="checkbox"/> M20x1.5P
Explosion Proof	Non-Explosion
Ingress Protection	IP67
Ambient Temperature	-25°C ~ 70°C (-13°F ~ 158°F)

Specification (Positioner)

Applicable Fluid	Air	
Acting Type	<input type="checkbox"/> Single	<input type="checkbox"/> Double
Input Signal	4 ~ 20 mA DC	
Impedance	250±15Ω	
Supply Pressure	0.14 ~ 0.7MPa (1.4 ~ 7bar)	
Stroke	55 ~ 100°	
Conduit entry, Air Connection, Gauge Connection	G 1/2, Rc 1/4, Rc 1/8	G 1/2, 1/4 NPT, 1/8 NPT
Explosion Proof	Non-Explosion	
Operating Temp.	-20°C ~ 70°C (-4 ~ 158°F)	

Linearity	Single	±1.0% F.S.
	Double	±2.0% F.S.
Hysteresis	±1.0% F.S.	
Sensitivity	Single	±0.2% F.S.
	Double	±0.5% F.S.
Repeatability	±0.5% F.S.	
Flow Capacity	> 80 LPM (Sup.=0.14MPa, 1.4bar)	
Air Consumption	< 2.5 LPM (Sup.=0.14MPa, 1.4bar)	
Ingress Protection	IP66	
Weight	2.8kg (6.2 lb)	
Feedback connection type	<input type="checkbox"/> M6x34L	<input type="checkbox"/> M6x63L
	<input type="checkbox"/> M8x34L	<input type="checkbox"/> M8x63L
Housing Material	Aluminum	



No.	Part name	Material	Q'ty	Remark
1	YT-850	-	1	
2	Adapter	STS303	1	
3	Base cover	ALDC12	1	
4	Pressure gauge	STS 304	1	
5	IA connector	ALDC12	1	
6	Base body	ALDC12	1	
7	Main shaft	STS 303	1	Fork lever or NAMUR

SURFACE TEXTURE	PRODUCT NAME	<b>rotork</b> Rotork YTC Limited GIMPO-SI, KOREA
FINISH TREATMENT	E/P Positioner	
MATERIAL	MODEL	TITLE
OTHERWISE NOTE	PROJECTION	SCALE
GENERAL TOLERANCE	QUANTITY	SHEET No.
		DRAWING NO.
		REV.

PROJECT NAME: \_\_\_\_\_

Rotork YTC-A3

2019.01.23