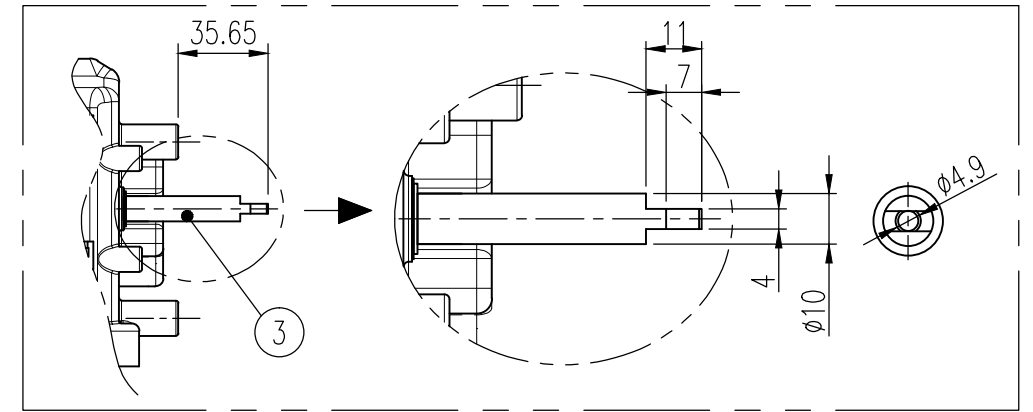


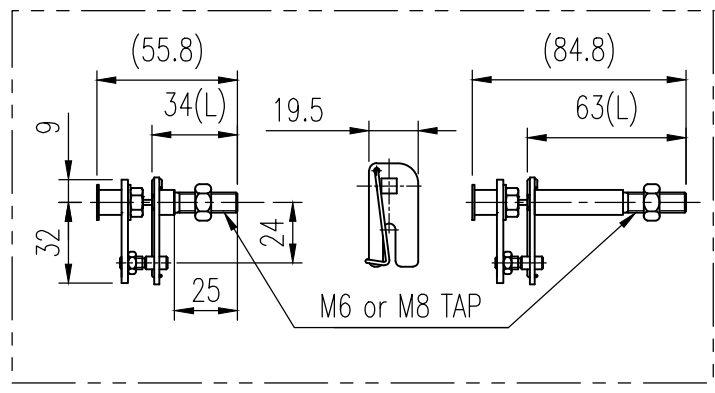
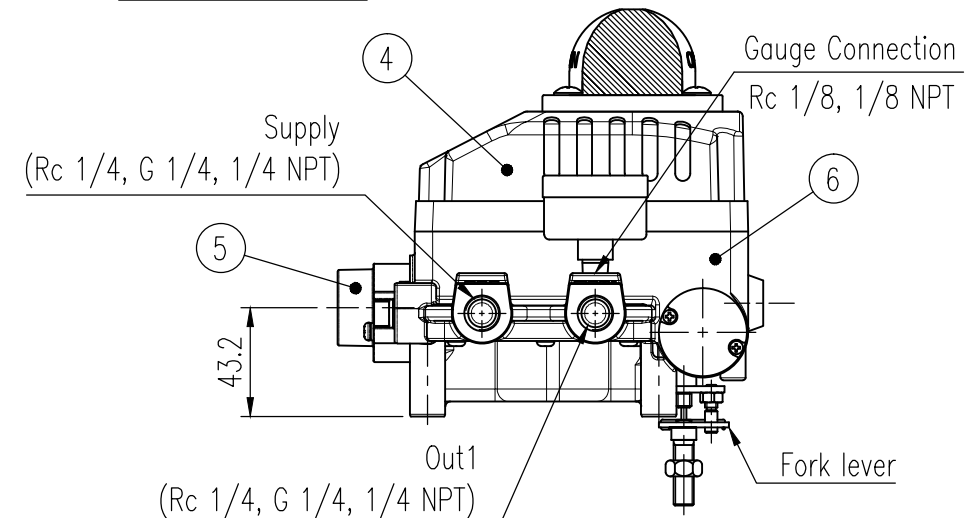
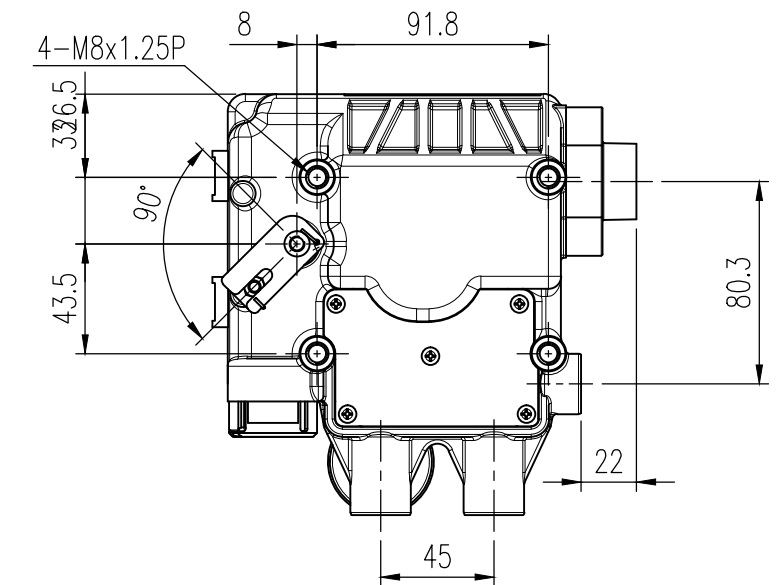
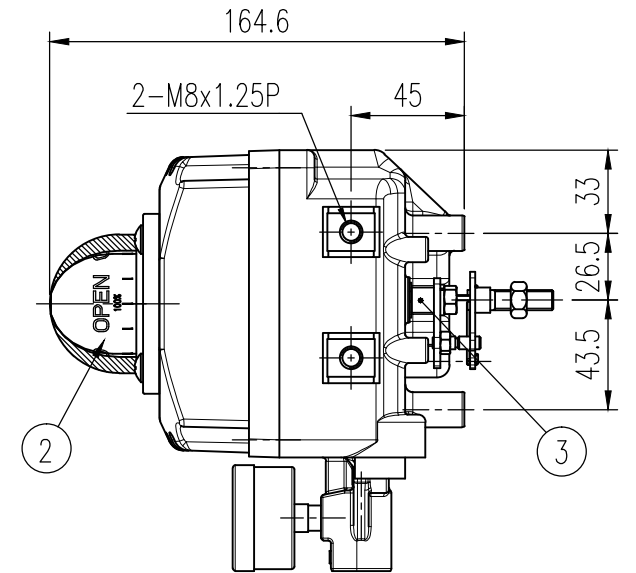
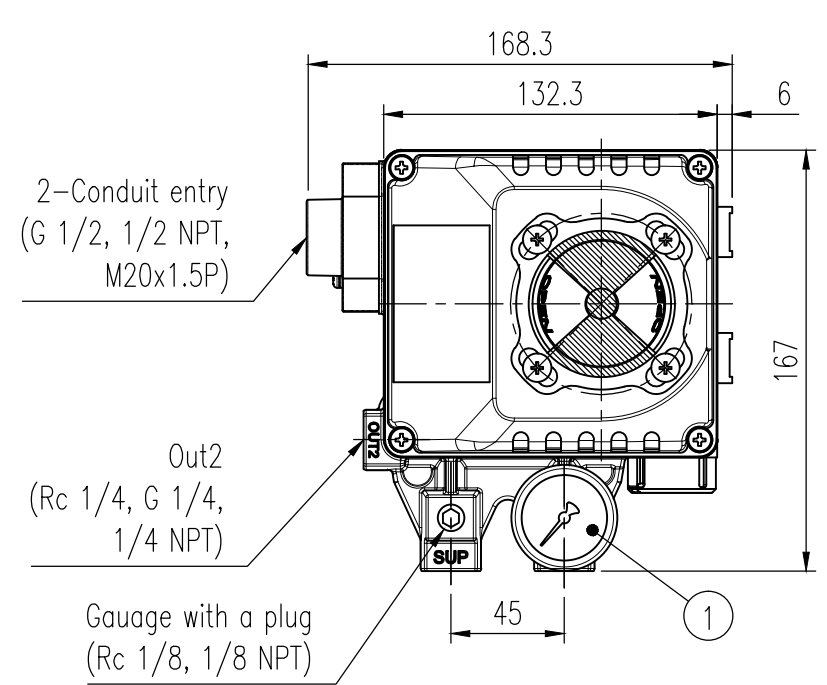
Specification

Applicable Fluid	Air		Conduit entry,	G 1/2,	G 1/2,	G 1/2,	M20xP1.5,	1/2 NPT,
Acting Type	<input type="checkbox"/> Single	<input type="checkbox"/> Double	Air Connection,	<input type="checkbox"/> Rc 1/4,	<input type="checkbox"/> 1/4 NPT,	<input type="checkbox"/> G 1/4,	<input type="checkbox"/> 1/4 NPT,	<input type="checkbox"/> 1/4 NPT,
Input Signal	4 ~ 20 mA DC		Gauge Connection	Rc 1/8	1/8 NPT	1/8 NPT	1/8 NPT	1/8 NPT
Impedance	250±15Ω		Explosion Proof	Non-Explosion				
Supply Pressure	0.14 ~ 0.7MPa (1.4 ~ 7bar)		Flow Capacity	> 80 LPM (Sup.=0.14MPa, 1.4bar)				
Stroke	55 ~ 100'		Air Consumption	< 2.5 LPM (Sup.=0.14MPa, 1.4bar)				
Linearity	±1.0% F.S.	±2.0% F.S.	Protection	IP66				
Hysteresis	±1.0% F.S.		Weight	2.7kg (6.1 lb)				
Sensitivity	±0.2% F.S.	±0.5% F.S.	Feedback connection type	<input type="checkbox"/> M6x34L	<input type="checkbox"/> M6x63L	<input type="checkbox"/> NAMUR		
Repeatability	±0.5% F.S.		Housing Material	Aluminum				
Operating temp.	Standard	<input type="checkbox"/> -20°C ~ 70°C (-4 ~ 158°F)						
	High	<input type="checkbox"/> -20°C ~ 120°C (-4 ~ 248°F)						
	Low	<input type="checkbox"/> -40°C ~ 70°C (-40 ~ 158°F)						

REV.NO.	REVISION DESCRIPTION	DRAWN / DATE	REVIEWED / DATE	APPROVED / DATE
△1	First issued	MDK/20070513	JCS/20070513	LYH/20070513
	Omission in the middle			
△2	Drawing arrangement	KDH/20130214	JCS/20130214	LYH/20130214
△3	Company name changed	KSH/20191022	JCS/20191022	KTJ/20191022



NAMUR SHAFT TYPE



FORK LEVER TYPE

No.	Part name	Material	Q'ty	Remark
1	Pressure gauge	STS304	1	
2	Indicator dome	Polycarbonate	1	
3	Main shaft	STS303	1	Fork lever or NAMUR
4	Base cover	ALDC12	1	
5	IA Connector	ALDC12	1	
6	Base body	ALDC12	1	

SURFACE TEXTURE		PRODUCT NAME		PROJECT NAME	
FINISH TREATMENT		E/P Positioner		rotork Rotork YTC Limited	
MATERIAL		MODEL		DMPO-SI, KOREA	
OTHERWISE NOTE		PROJECTION		TITLE	
GENERAL TOLERANCE		3rd		Dome indicator type + Rotary Positioner drawing	
		SCALE		DRAWING NO.	
		1 / 3		YT-1000R-05	
		SHEET No.		REV.	
		1 / 1		6	