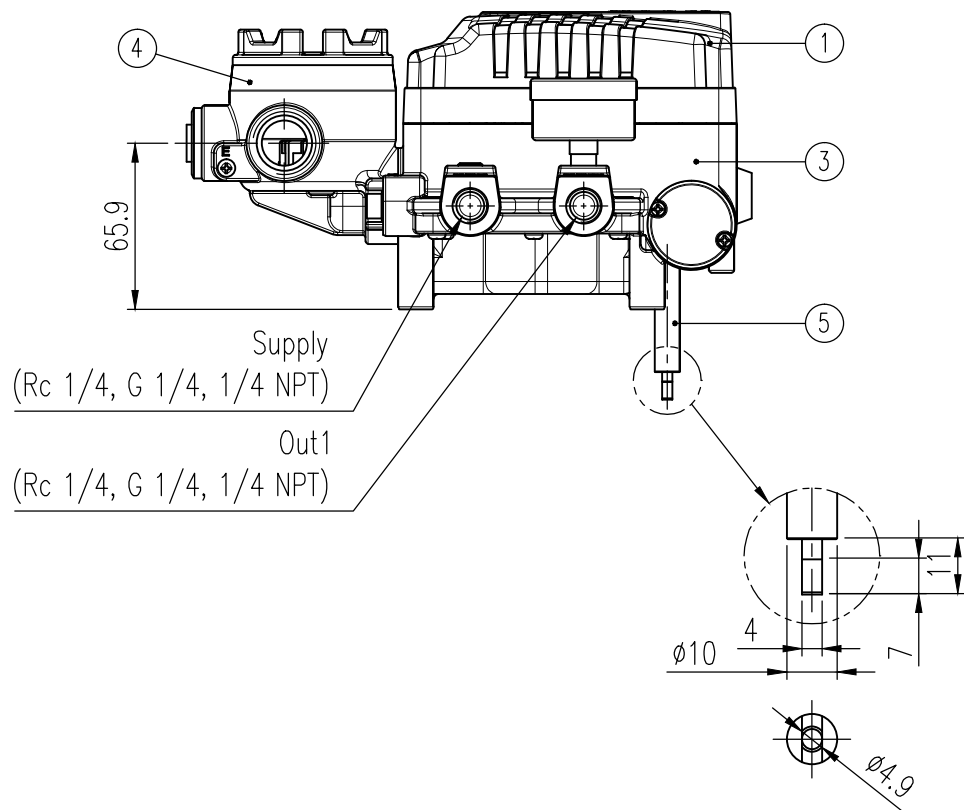
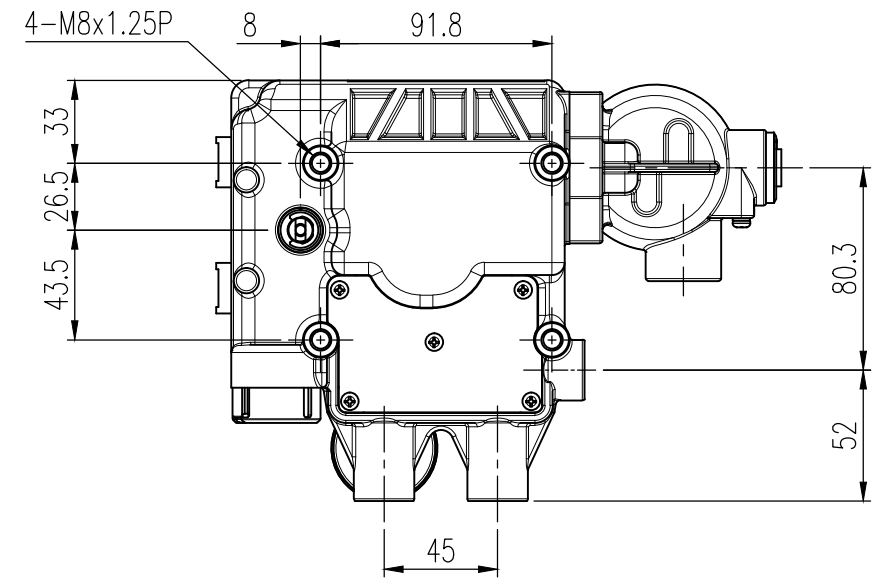
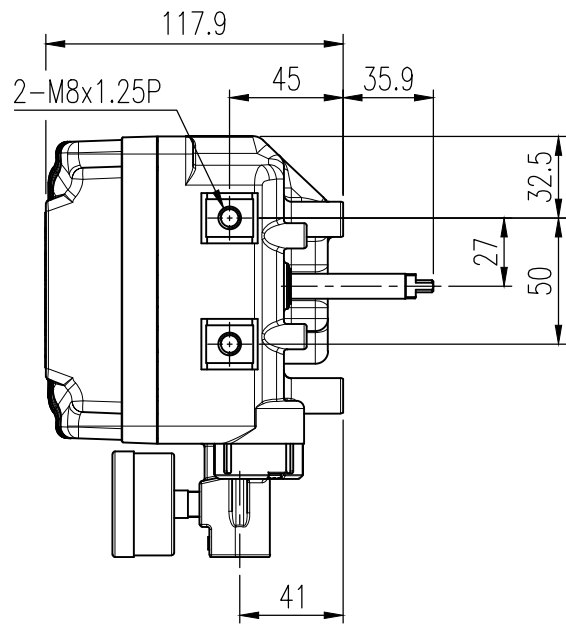
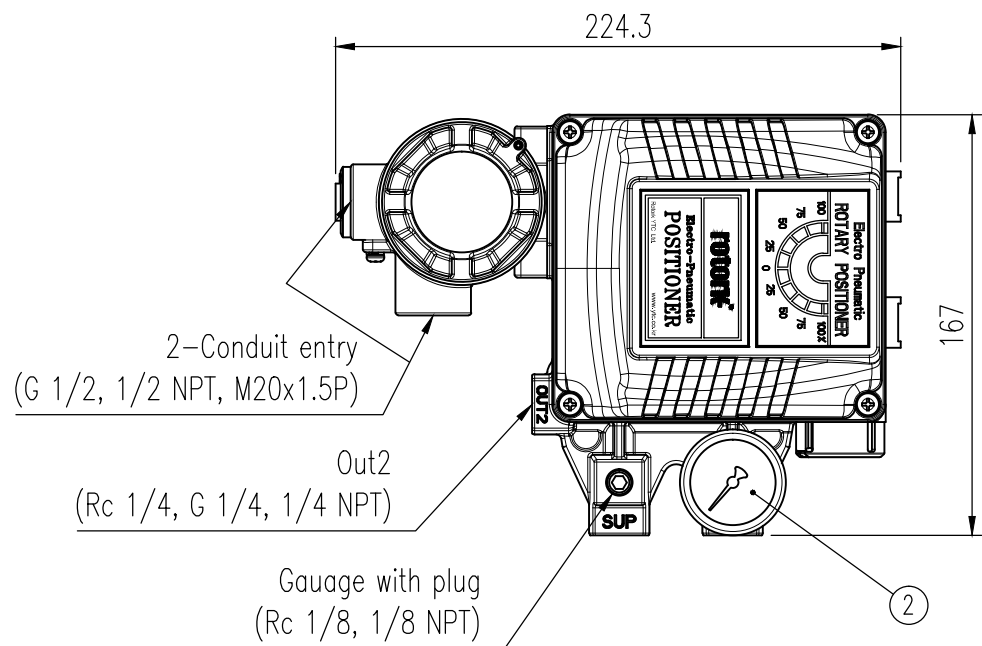


REV.NO.	REVISION DESCRIPTION	DRAWN / DATE	REVIEWED / DATE	APPROVED / DATE
△	First issued	KBJ/20120727	KCH/20120727	JCS/20120727
△	Drawing arrangement	KDH/20130214	KCH/20130214	JCS/20130214
△	Company name changed	KSH/20191017	KCH/20191017	KTJ/20191017



Specification

Applicable Fluid	Air					
Acting Type	<input type="checkbox"/> Single		<input type="checkbox"/> Double			
Input Signal	4 ~ 20 mA DC					
Impedance	250±15Ω					
Supply Pressure	0.14 ~ 0.7MPa (1.4 ~ 7bar)					
Stroke	55 ~ 100'					
Conduit entry, Air Connection, Gauge Connection	G 1/2, <input type="checkbox"/> Rc 1/4, Rc 1/8	G 1/2, <input type="checkbox"/> 1/4 NPT, 1/8 NPT	G 1/2, <input type="checkbox"/> G 1/4, 1/8 NPT	M20x1.5P, <input type="checkbox"/> 1/4 NPT, 1/8 NPT	1/2 NPT, <input type="checkbox"/> 1/4 NPT, 1/8 NPT	
Explosion Protection Type	<input type="checkbox"/> ATEX, IECEx, TS, KCs, INMETRO : Ex db mb IIB T5					
	<input type="checkbox"/> FM : CL I, Div 1, Grps C,D T5 / CL II,III, Div 1, Grps E,F,G T5					
	<input type="checkbox"/> CSA : Class I, Zone 1, Ex d m IIB T5					
	<input type="checkbox"/> KCs, NEPSI : Ex d IIC T5					
	<input type="checkbox"/> TIHS : Ex dmb IIB T5					
	<input type="checkbox"/> TRCU : 1Ex d mb IIB T5 Gb X					

Operating Temp.	Standard	<input type="checkbox"/> -20°C ~ 70°C (-4 ~ 158°F)
	High	<input type="checkbox"/> -20°C ~ 120°C (-4 ~ 248°F)
	Low	<input type="checkbox"/> -40°C ~ 70°C (-40 ~ 158°F)
Ambient temperature of explosion proof	See certificates or product manual	
Linearity	Single	±1.0% F.S.
	Double	±2.0% F.S.
Hysteresis	±1.0% F.S.	
Sensitivity	Single	±0.2% F.S.
	Double	±0.5% F.S.
Repeatability	±0.5% F.S.	
Flow Capacity	> 80 LPM (Sup.=0.14MPa, 1.4bar)	
Air Consumption	< 2.5 LPM (Sup.=0.14MPa, 1.4bar)	
Ingress Protection	IP66, Type 4X(FM)	
Weight	2.8kg (6.2 lb)	
Feedback connection type	NAMUR	
Housing Material	Aluminum	

No.	Part name	Material	Q'ty	Remark
1	Base cover	ALDC12	1	
2	Pressure gauge	STS304	1	
3	Base body	ALDC12	1	
4	Junction box	ALDC12	1	
5	Main shaft	STS303	1	NAMUR type

SURFACE TEXTURE		PRODUCT NAME E/P POSITIONER		PROJECT NAME	
FINISH TREATMENT		MODEL YT-1000R		rotork Rotork YTC Limited GIMPO-SI, KOREA	
MATERIAL		PROJECTION 3rd	SCALE 1 / 3	TITLE Junction box type + Rotary NAMUR type Positioner drawing	
OTHERWISE NOTE		QUANTITY 1	SHEET No. 1 / 1	DRAWING NO. YT-1000R-04	REV. 2