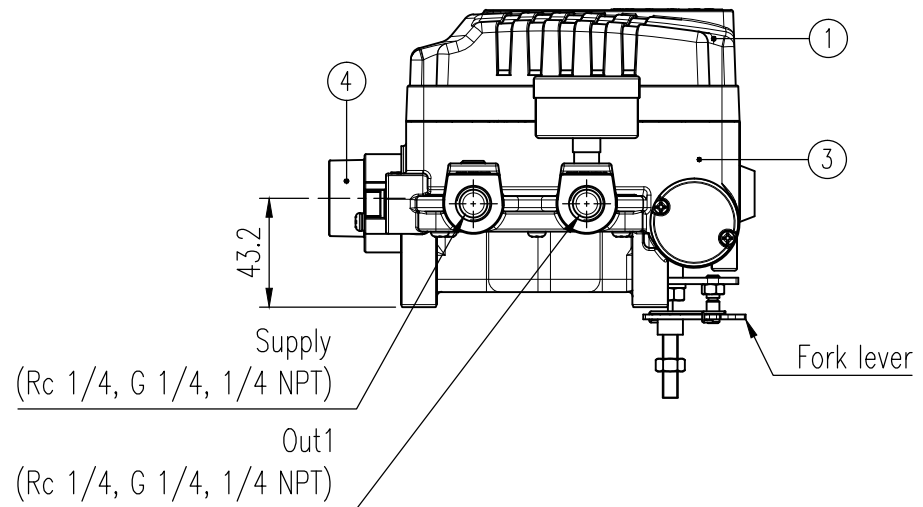
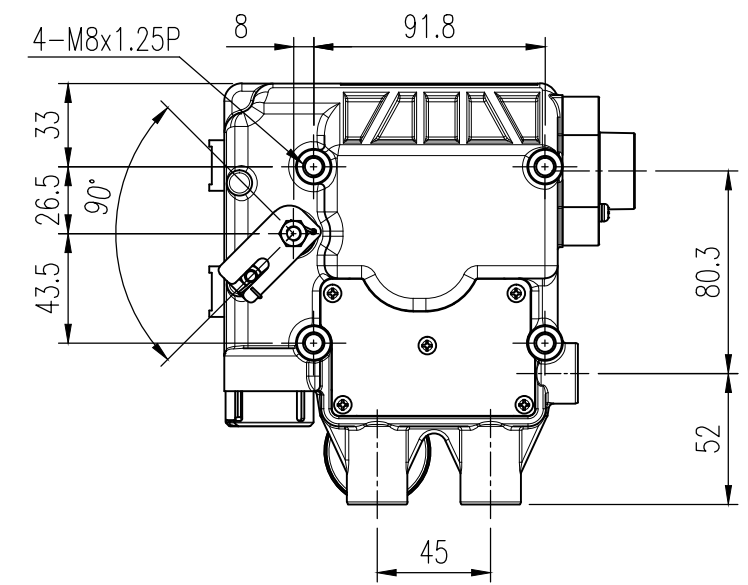
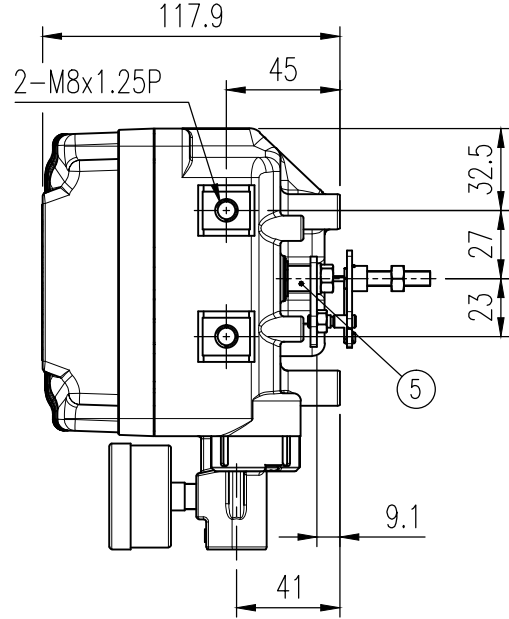
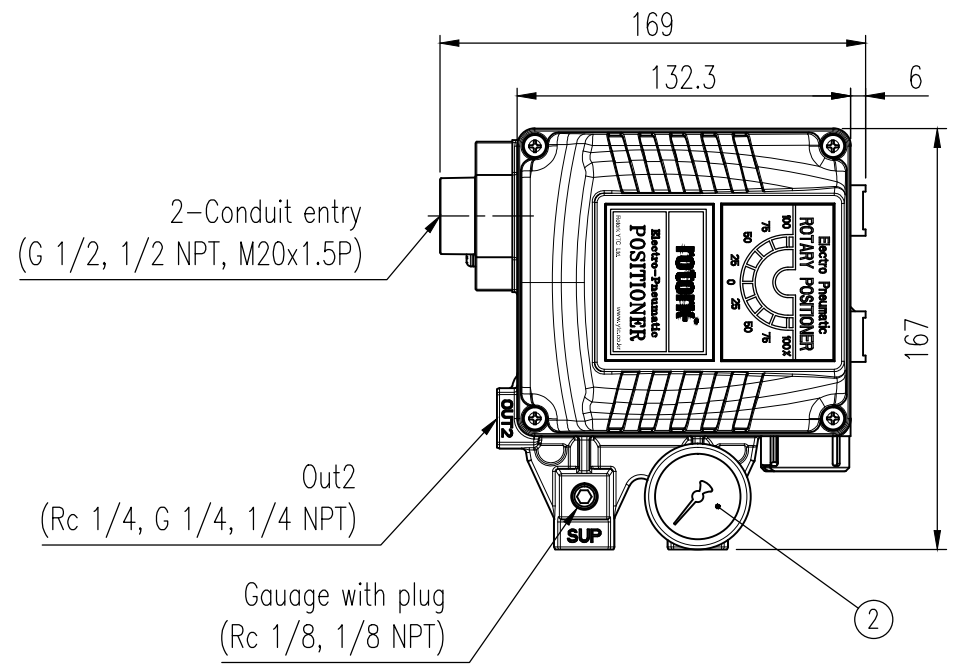
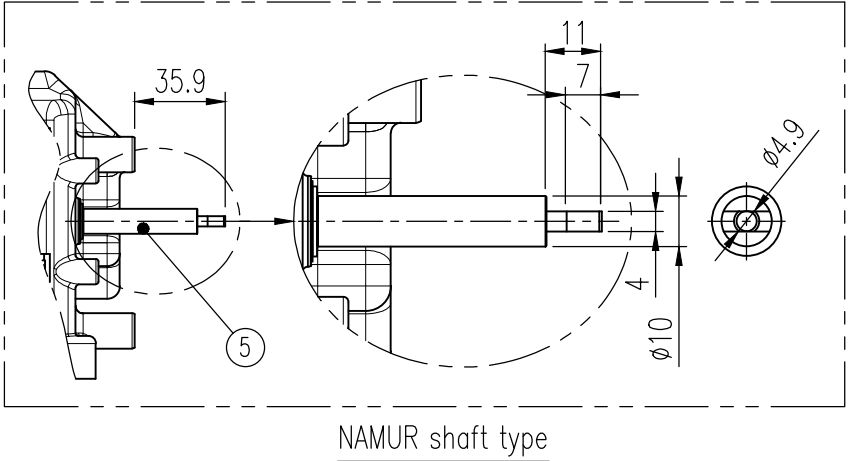
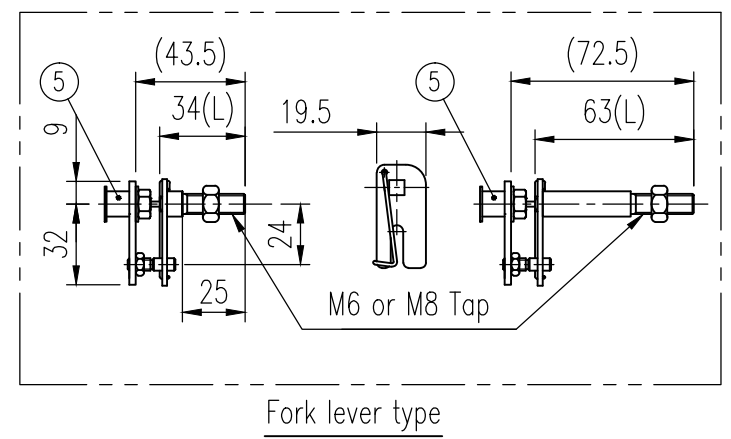


REV.NO.	REVISION DESCRIPTION	DRAWN / DATE	REVIEWED / DATE	APPROVED / DATE
△1	First issued	KDH/20110916	JCS/20110916	LYH/20110916
△1	Drawing arrangement	OSS/20120315	JCS/20120315	LYH/20120315
△1	Drawing arrangement	KDH/20130214	JCS/20130214	LYH/20130214
△1	Company name changed	KSH/20191017	KCH/20191017	KTJ/20191017



**Specification**

Applicable Fluid	Air		
Acting Type	<input type="checkbox"/> Single	<input type="checkbox"/> Double	
Input Signal	4 ~ 20 mA DC		
Impedance	250±15Ω		
Supply Pressure	0.14 ~ 0.7MPa (1.4 ~ 7bar)		
Stroke	55 ~ 100°		
Conduit entry, Air Connection, Gauge Connection	G 1/2, Rc 1/4	G 1/2, 1/4 NPT, 1/8 NPT	G 1/2, 1/4 NPT, 1/8 NPT, M20x1.5P, 1/4 NPT, 1/8 NPT
Explosion proof	<input type="checkbox"/> Non-Explosion	<input type="checkbox"/> KCs : Ex ia IIB T6 Gb	<input type="checkbox"/> NEPSI : Ex ia IIC T6 Ga
Operating Temp.	Standard	<input type="checkbox"/> -20 ~ 70°C (-4 ~ 158°F)	
	High	<input type="checkbox"/> -20 ~ 120°C (-4 ~ 248°F)	
	Low	<input type="checkbox"/> -40 ~ 70°C (-40 ~ 158°F)	
Ambient temperature of explosion proof	KCs : -40 ~ 70°C (-40 ~ 158°F) NEPSI : -20 ~ 60°C (-4 ~ 140°F)		
Linearity	Single	±1.0% F.S.	
	Double	±2.0% F.S.	
Hysteresis	±1.0% F.S.		
Sensitivity	Single	±0.2% F.S.	
	Double	±0.5% F.S.	
Repeatability	±0.5% F.S.		
Flow Capacity	> 80 LPM (Sup.=0.14MPa, 1.4bar)		
Air Consumption	< 2.5 LPM (Sup.=0.14MPa, 1.4bar)		
Ingress Protection	IP66		
Weight	2.7kg (6.1 lb)		
Feedback connection type	<input type="checkbox"/> M6x34L	<input type="checkbox"/> M6x63L	<input type="checkbox"/> NAMUR
	<input type="checkbox"/> M8x34L	<input type="checkbox"/> M8x63L	
Housing Material	Aluminum		



No.	Part name	Material	Q'ty	Remark
1	Base cover	ALDC12	1	
2	Pressure gauge	STS304	1	
3	Base body	ALDC12	1	
4	IA Connector	ALDC12	1	
5	Main shaft	STS303	1	Fork lever or NAMUR

SURFACE TEXTURE	PRODUCT NAME	E/P POSITIONER	
FINISH TREATMENT	MODEL	YT-1000R	
MATERIAL	PROJECTION	SCALE	1 / 3
OTHERWISE NOTE	GENERAL TOLERANCE	QUANTITY	1
		SHEET No.	1 / 1

PROJECT NAME		-	
rotork® Rotork YTC Limited		GIMPO-SI, KOREA	
TITLE		IA Connector + Rotary Positioner drawing	
DRAWING NO.		YT-1000R-03	
REV.		3	

2019.01.23