

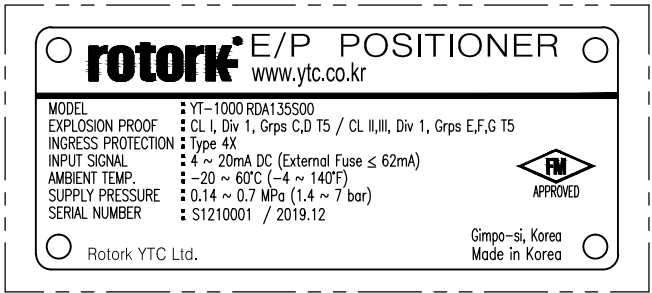
Specification

Applicable Fluid	Air	
Acting Type	<input type="checkbox"/> Single	<input type="checkbox"/> Double
Input Signal	4 ~ 20 mA DC	
Impedance	250±15 Ω	
Supply Pressure	0.14 ~ 0.7MPa (1.4 ~ 7bar)	
Stroke	55 ~ 100°	
Conduit entry, Air Connection, Gauge Connection	1/2 NPT, 1/4 NPT, 1/8 NPT	
Explosion Protection Type	Class I, Division 1, Groups C, D; Class II, III, Division 1, Groups E, F, G	
Operating Temp.	-20°C ~ 70°C (-4 ~ 158°F)	
Ambient temperature of explosion proof	-20°C ~ 60°C (-4 ~ 140°F)	

Linearity	Single	±1.0% F.S.
	Double	±2.0% F.S.
Hysteresis		±1.0% F.S.
Sensitivity	Single	±0.2% F.S.
	Double	±0.5% F.S.
Repeatability		±0.5% F.S.
Flow Capacity		> 80 LPM (Sup.=0.14MPa, 1.4bar)
Air Consumption		< 2.5 LPM (Sup.=0.14MPa, 1.4bar)
Ingress Protection		TYPE 4X
Weight		2.8kg (6.2 lb)
Feedback connection type	<input type="checkbox"/> M6x34L	<input type="checkbox"/> M6x63L
	<input type="checkbox"/> M8x34L	<input type="checkbox"/> M8x63L
Housing Material		Aluminum

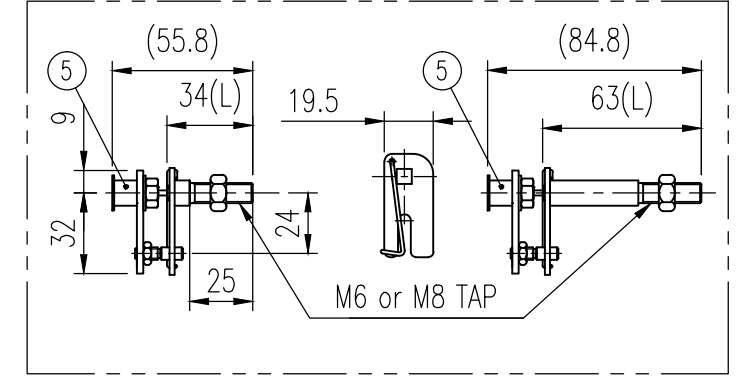
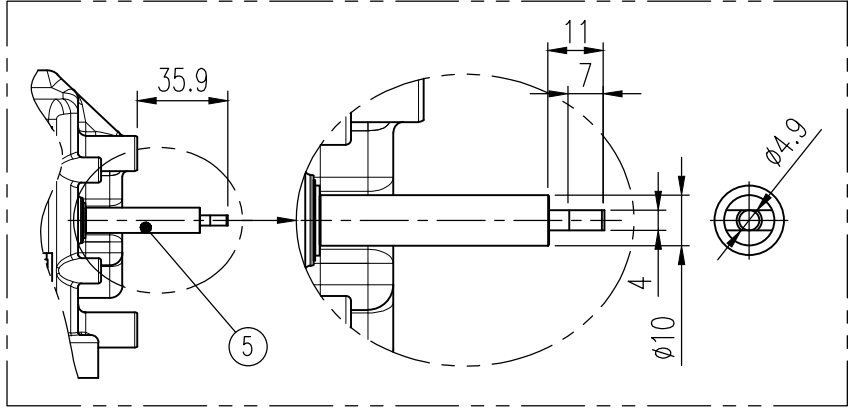
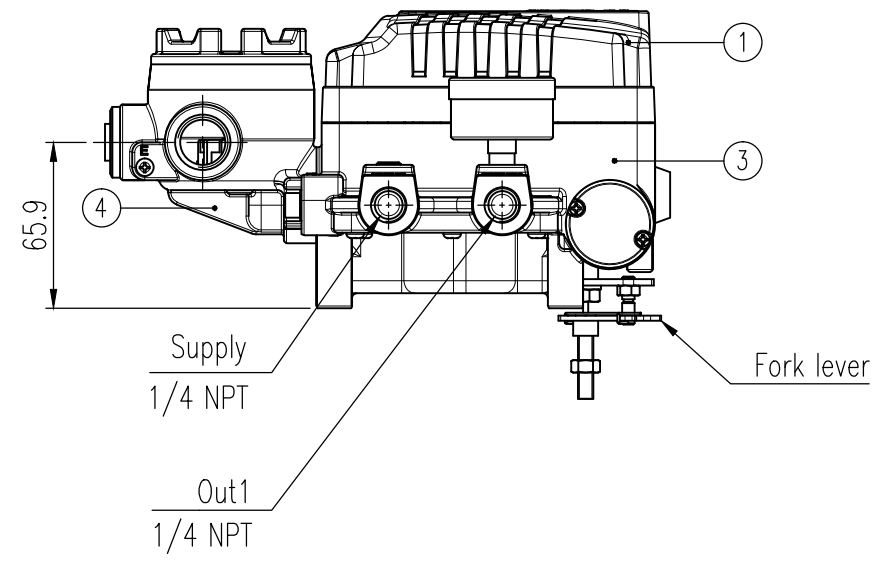
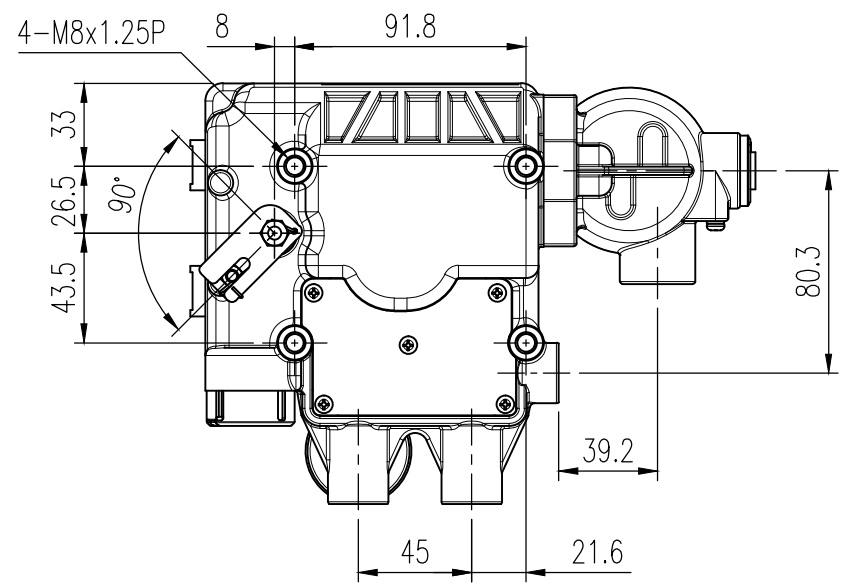
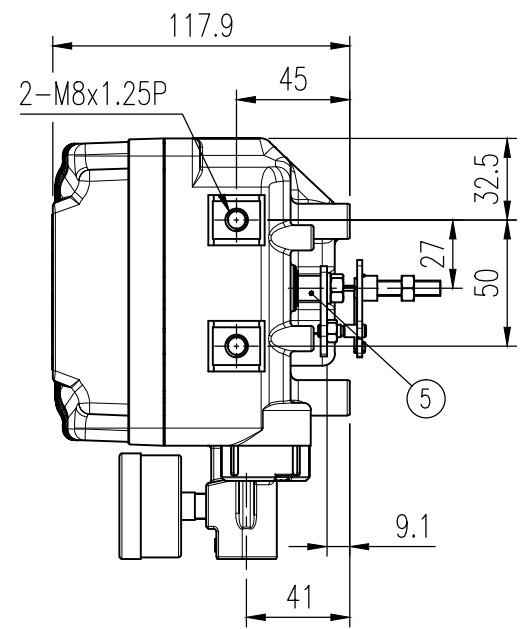
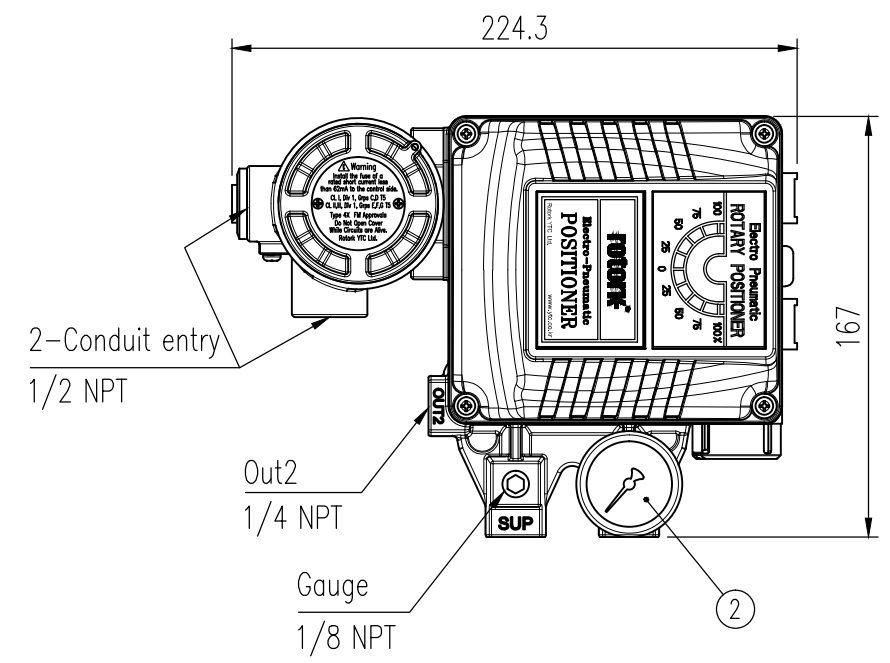
No.	Part name	Material	Q'ty	Remark
1	Base cover	ALDC12	1	
2	Pressure gauge	STS304	1	
3	Base body	ALDC12	1	
4	Junction box	ALDC12	1	
5	Main shaft	STS303	1	Fork lever or NAMUR

REV.NO.	REVISION DESCRIPTION	DRAWN / DATE	REVIEWED / DATE	APPROVED / DATE
△1	First issued	OSS/20120328	JCS/20120328	LYH/20120328
△1	Drawing arrangement	KDH/20130214	JCS/20130214	LYH/20130214
△1	Company name changed	KSH/20191024	KCH/20191024	KTJ/10191024



FM Explosion proof name plate

SCALE 3/1



SURFACE TEXTURE	PRODUCT NAME E/P Positioner	PROJECT NAME	
FINISH TREATMENT	MODEL YT-1000R	rotork Rotork YTC Limited GIMPO-SI, KOREA	
MATERIAL	PROJECTION 3rd	SCALE 1 / 3	TITLE Junction box type + Rotary Positioner drawing(FM)
OTHERWISE NOTE	GENERAL-TOLERANCE	QUANTITY 1	DRAWING NO. YT-1000R-02
		SHEET No. 1 / 1	REV. 2