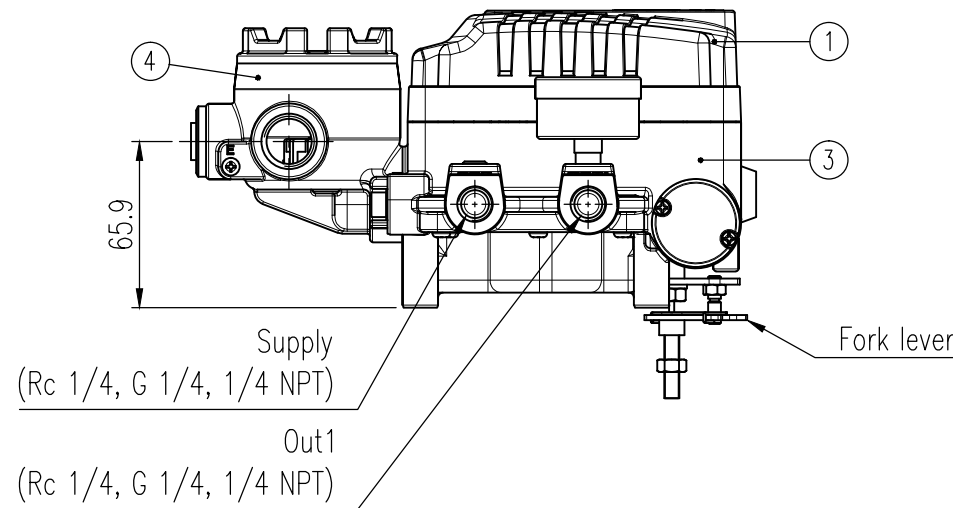
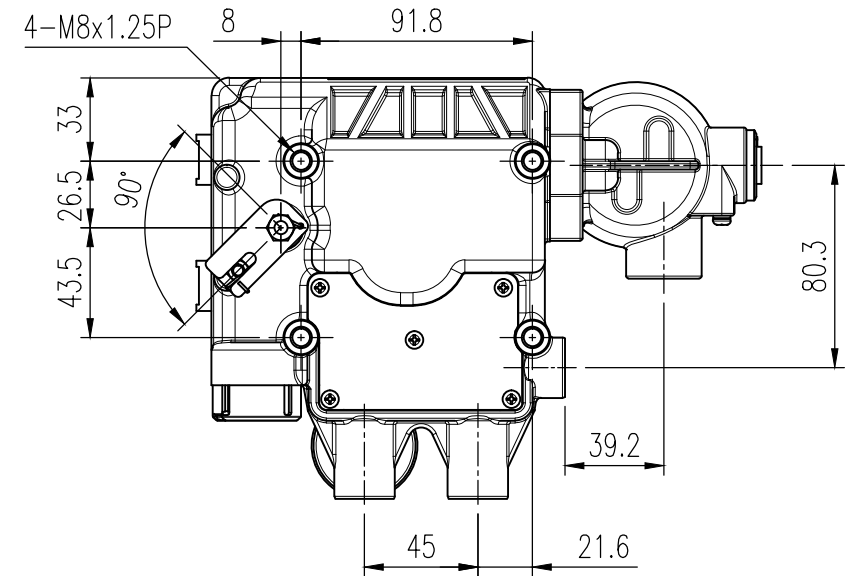
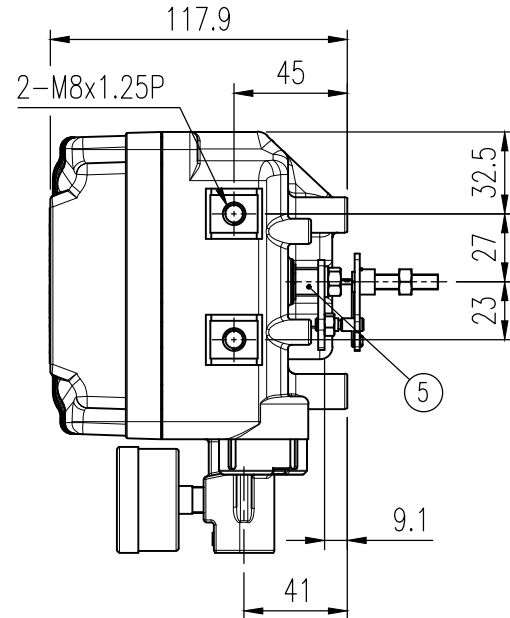
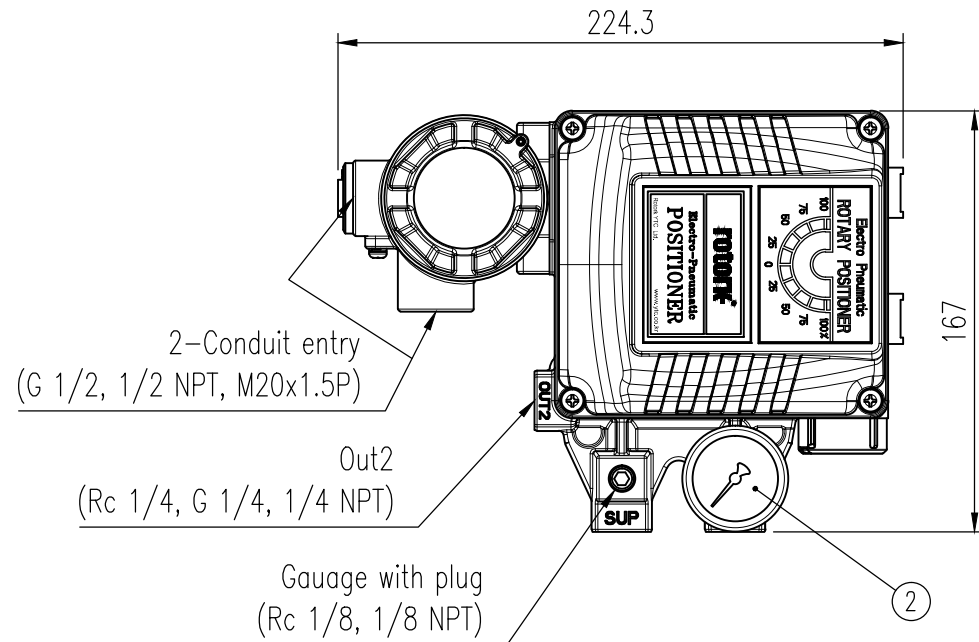


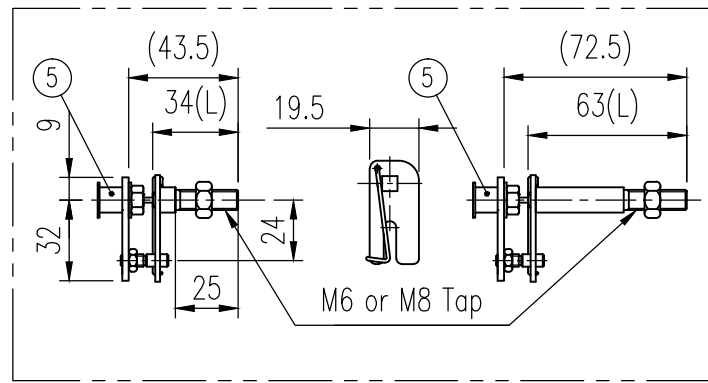
REV.NO.	REVISION DESCRIPTION	DRAWN / DATE	REVIEWED / DATE	APPROVED / DATE
△	First issued	LHG/20020418	LKS/20020418	LHG/20020418
	Omission in the middle			
△	Drawing arrangement	KSH/20190507	KCH/20190507	KTJ/20190507
△	Company name changed	KSH/20191017	KCH/20191017	KTJ/10191017



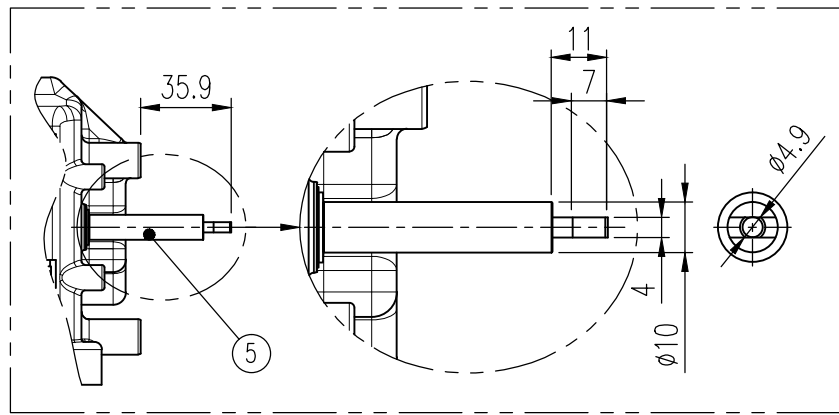
Specification

Applicable Fluid	Air				
Acting Type	<input type="checkbox"/> Single		<input type="checkbox"/> Double		
Input Signal	4 ~ 20 mA DC				
Impedance	250±15Ω				
Supply Pressure	0.14 ~ 0.7MPa (1.4 ~ 7bar)				
Stroke	55 ~ 100'				
Conduit entry, Air Connection, Gauge Connection	G 1/2, Rc 1/4, Rc 1/8	G 1/2, 1/4 NPT, 1/8 NPT	G 1/2, G 1/4, 1/8 NPT	M20x1.5P, 1/4 NPT, 1/8 NPT	1/2 NPT, 1/4 NPT, 1/8 NPT
Explosion Protection Type	<input type="checkbox"/> ATEX, IECEx, TS, KCs, INMETRO : Ex db mb IIB T5 <input type="checkbox"/> FM : CL I, Div 1, Grps C,D T5 / CL II,III, Div 1, Grps E,F,G T5 <input type="checkbox"/> CSA : Class I, Zone 1, Ex d m IIB T5 <input type="checkbox"/> KCs, NEPSI : Ex d IIC T5 <input type="checkbox"/> TIIS : Ex dmb IIB T5 <input type="checkbox"/> TRCU : 1Ex d mb IIB T5 Gb X				

Operating Temp.	Standard	<input type="checkbox"/> -20°C ~ 70°C (-4 ~ 158°F)
	High	<input type="checkbox"/> -20°C ~ 120°C (-4 ~ 248°F)
	Low	<input type="checkbox"/> -40°C ~ 70°C (-40 ~ 158°F)
Ambient temperature of explosion proof	See certificates or product manual	
Linearity	Single	±1.0% F.S.
	Double	±2.0% F.S.
Hysteresis	±1.0% F.S.	
Sensitivity	Single	±0.2% F.S.
	Double	±0.5% F.S.
Repeatability	±0.5% F.S.	
Flow Capacity	> 80 LPM (Sup.=0.14MPa, 1.4bar)	
Air Consumption	< 2.5 LPM (Sup.=0.14MPa, 1.4bar)	
Ingress Protection	IP66, Type 4X(FM)	
Weight	2.8kg (6.2 lb)	
Feedback connection type	<input type="checkbox"/> M6x34L	<input type="checkbox"/> M6x63L
	<input type="checkbox"/> M8x34L	<input type="checkbox"/> M8x63L
Housing Material	Aluminum	



Fork lever type



NAMUR shaft type

No.	Part name	Material	Q'ty	Remark
1	Base cover	ALDC12	1	
2	Pressure gauge	STS304	1	
3	Base body	ALDC12	1	
4	Junction box	ALDC12	1	
5	Main shaft	STS303	1	Fork lever or NAMUR

SURFACE TEXTURE	PRODUCT NAME	E/P Positioner	
FINISH TREATMENT	MODEL	YT-1000R	
MATERIAL	PROJECTION	SCALE	1 / 3
OTHERWISE NOTE	GENERAL TOLERANCE	QUANTITY	SHEET No. 1 / 1

PROJECT NAME		-	
rotork Rotork YTC Limited		GMP-O-SI, KOREA	
TITLE		Junction box type + Rotary Positioner drawing	
DRAWING NO.		YT-1000R-01	
REV.		11	