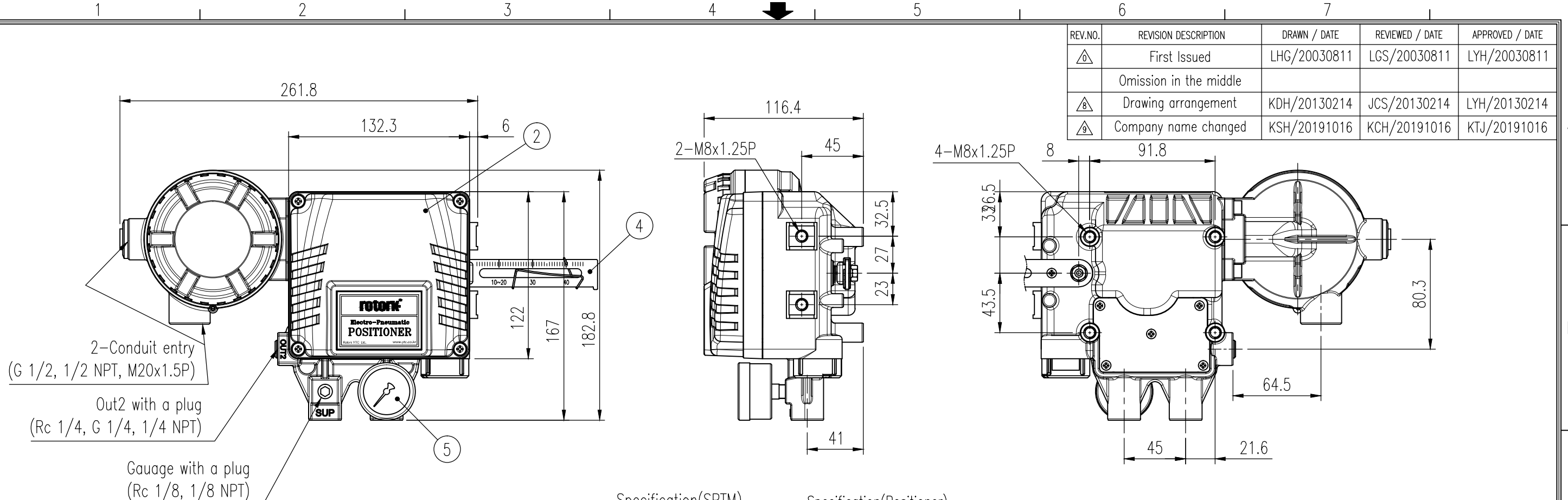


REV.NO.	REVISION DESCRIPTION	DRAWN / DATE	REVIEWED / DATE	APPROVED / DATE
△	First Issued	LHG/20030811	LGS/20030811	LYH/20030811
	Omission in the middle			
△	Drawing arrangement	KDH/20130214	JCS/20130214	LYH/20130214
△	Company name changed	KSH/20191016	KCH/20191016	KTJ/20191016



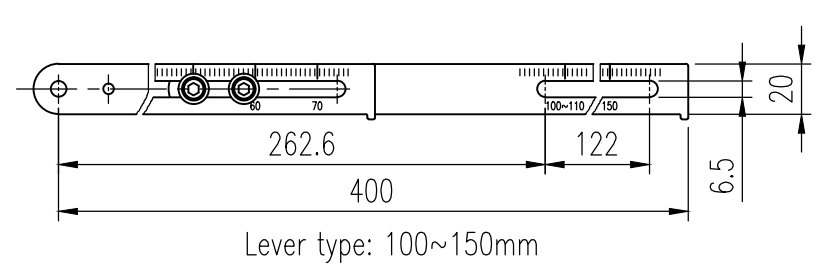
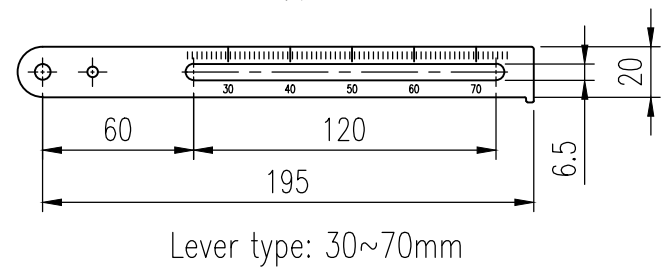
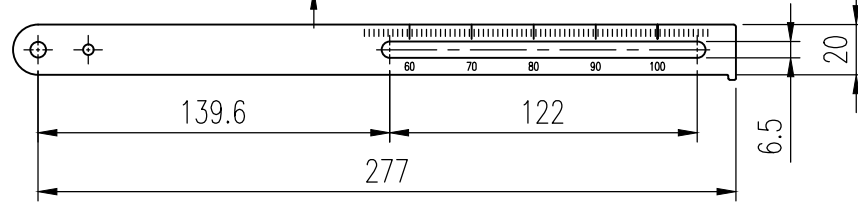
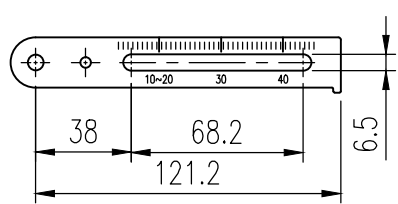
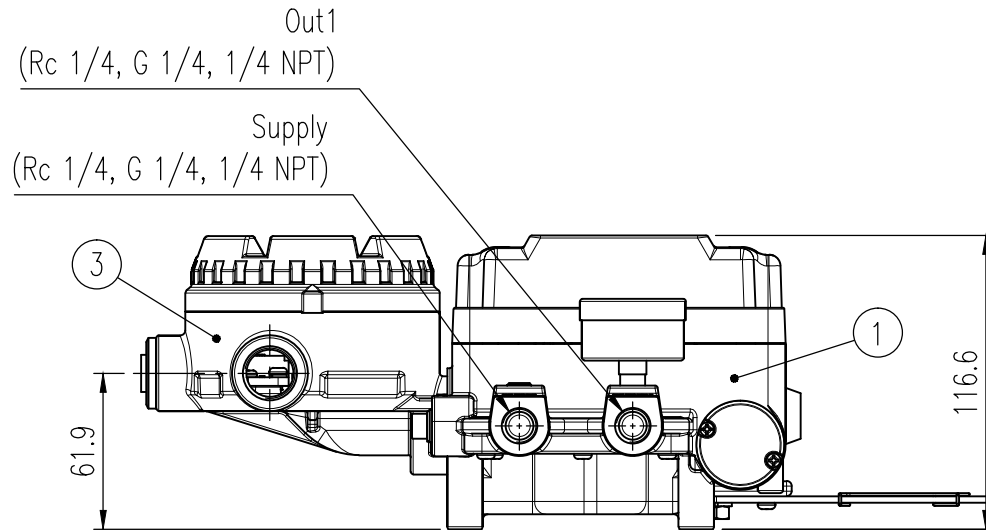
Specification(SPTM)

Smart position transmitter	
Input Type	2 Wire
Input Stroke	10 ~ 150mm
Output Signal	4 ~ 20mA DC
External load Resistance	$R_{ext} \leq (V_s - 9) / 20mA$, 750 ohms @ $V_s = 24V$
Supply Voltage	$V_s : 9 \sim 28V$ DC
Linearity	±1% F.S.
Hysteresis	±0.2% F.S.
Sensitivity	±0.2% F.S.

Specification(Positioner)

Applicable Fluid	Air				
Acting Type	<input type="checkbox"/> Single		<input type="checkbox"/> Double		
Input Signal	4 ~ 20 mA DC				
Impedance	250±15Ω				
Supply Pressure	0.14 ~ 0.7MPa (1.4 ~ 7bar)				
Stroke	10 ~ 150mm				
Conduit entry, Air Connection, Gauge Connection	G 1/2, Rc 1/4	G 1/2, 1/4 NPT	G 1/2, 1/4 NPT	M20x1.5P, 1/4 NPT	1/2 NPT, 1/4 NPT
Explosion Proof	Non-Explosion				
Operating Temp.	Standard	<input type="checkbox"/> -20°C ~ 70°C (-4 ~ 158°F)			
	Low	<input type="checkbox"/> -40°C ~ 70°C (-40 ~ 158°F)			

Linearity	Single	±1.0% F.S.
	Double	±2.0% F.S.
Hysteresis		±1.0% F.S.
Sensitivity	Single	±0.2% F.S.
	Double	±0.5% F.S.
Repeatability		±0.5% F.S.
Flow Capacity	> 80 LPM (Sup.=0.14MPa, 1.4bar)	
Air Consumption	< 2.5 LPM (Sup.=0.14MPa, 1.4bar)	
Ingress Protection		IP66
Weight		2.8kg (6.2 lb)
Actuator Shaft	<input type="checkbox"/> 10~40mm	<input type="checkbox"/> 30~70mm
	<input type="checkbox"/> 60~100mm	<input type="checkbox"/> 100~150mm
Housing Material		Aluminum



No.	Part name	Material	Q'ty	Remark
1	Base body	ALDC12	1	
2	Base cover	ALDC12	1	
3	Juntion box	ALDC12	1	
4	Feedback lever	STS304	1	
5	Pressure gauge	STS304	1	

SURFACE TEXTURE		PRODUCT NAME		PROJECT NAME	
FINISH TREATMENT		E/P Positioner			
MATERIAL		MODEL		rotork Rotork YTC Limited	
OTHERWISE NOTE		PROJECTION		GIMPO-SI, KOREA	
GENERAL-TOLERANCE		SCALE		TITLE SPTM(No LCD) internal + Linear Positioner drawing	
		3rd		DRAWING NO.	
		1 / 3		YTC-1000L-03	
		SHEET No.		REV.	
		1 / 1		9	