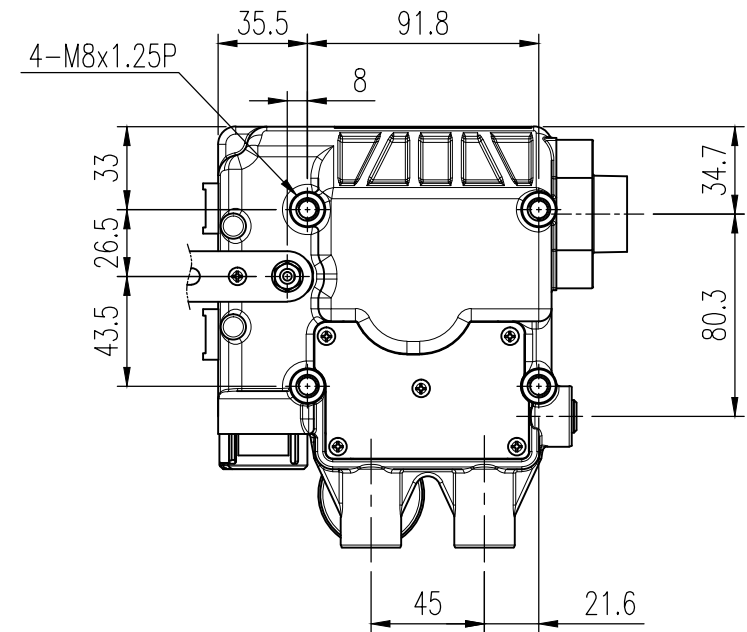
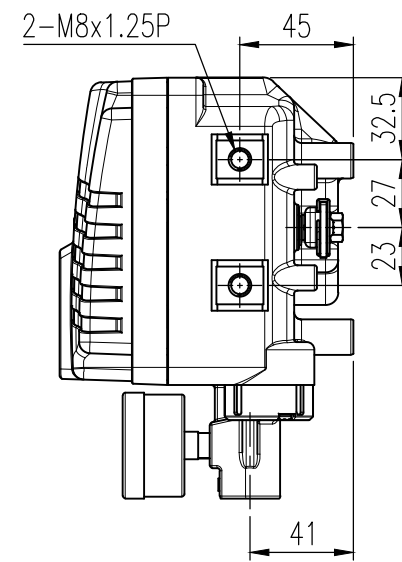
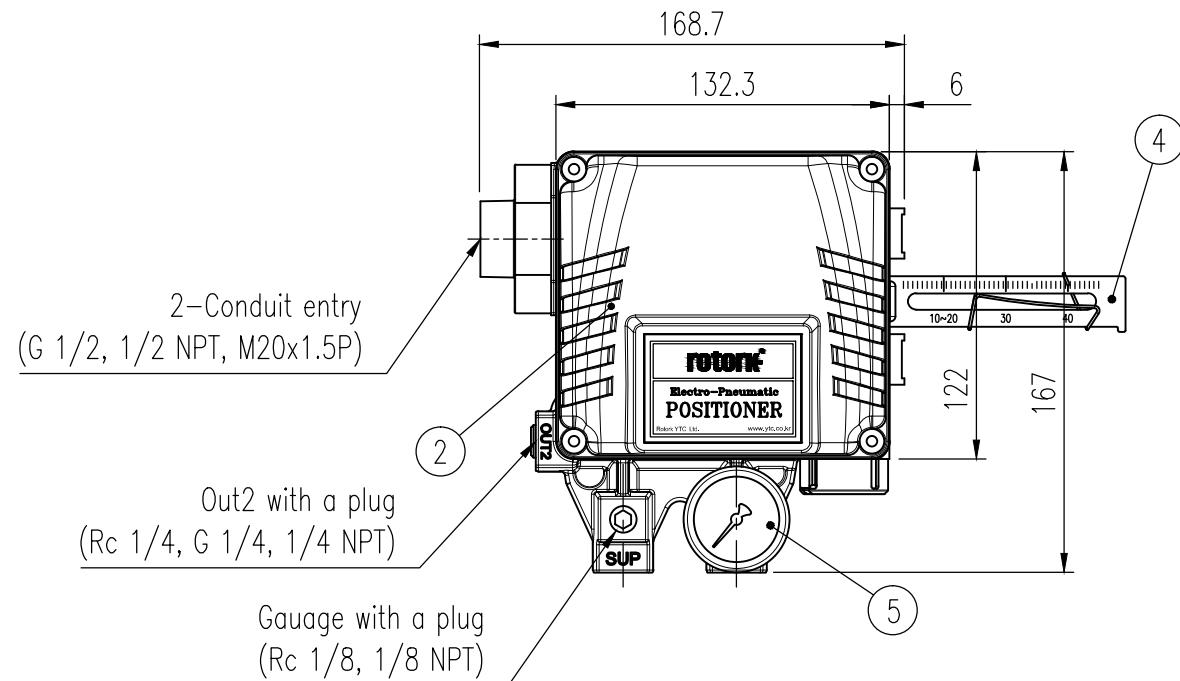
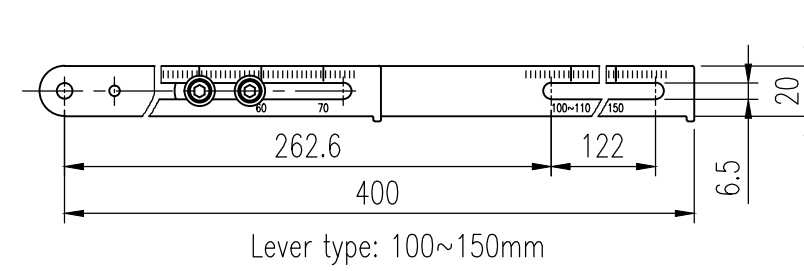
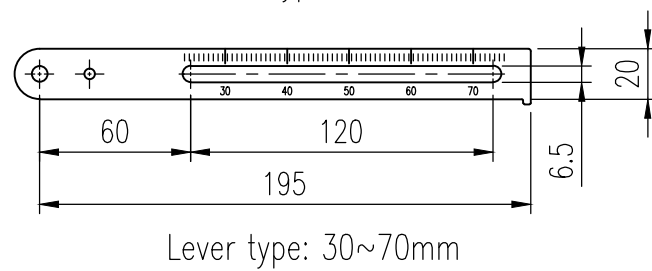
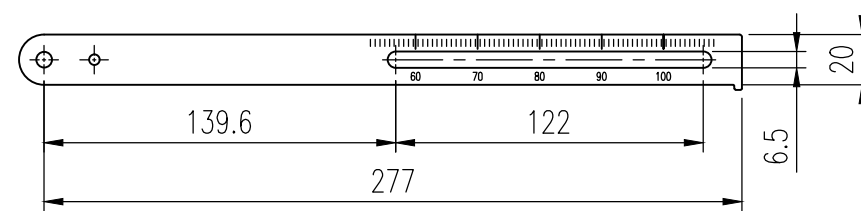
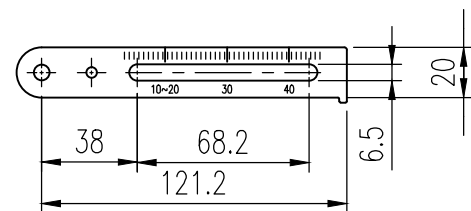
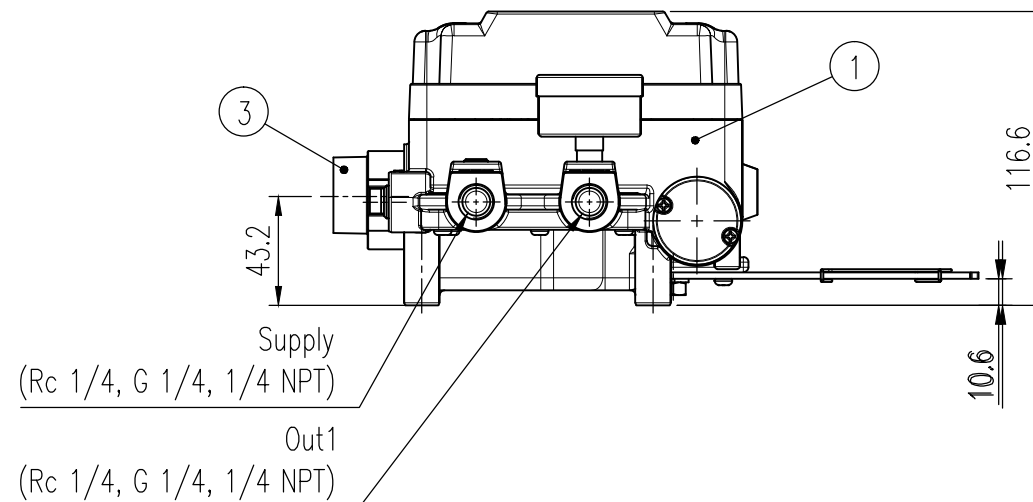


REV.NO.	REVISION DESCRIPTION	DRAWN / DATE	REVIEWED / DATE	APPROVED / DATE
△1	First Issued	KDH/20110916	JCS/20110916	LYH/20110916
△1	Drawing arrangement	OSS/20120315	JCS/20120315	LYH/20120315
△1	Company name changed	KDH/20130214	JCS/20130214	LYH/20130214
△1	Drawing arrangement	KSH/20191016	KSH/20191016	KTJ/20191016



Specification

Applicable Fluid	Air		Linearity	Single	±1.0% F.S.
Acting Type	<input type="checkbox"/> Single	<input type="checkbox"/> Double	Double		±2.0% F.S.
Input Signal	4 ~ 20 mA DC		Hysteresis		±1.0% F.S.
Impedance	250±15Ω		Sensitivity	Single	±0.2% F.S.
Supply Pressure	0.14 ~ 0.7MPa (1.4 ~ 7bar)		Double		±0.5% F.S.
Stroke	10 ~ 150mm		Repeatability		±0.5% F.S.
Conduit entry, Air Connection, Gauge Connection	G 1/2, Rc 1/4, Rc 1/8	G 1/2, 1/4 NPT, 1/8 NPT	Flow Capacity	> 80 LPM (Sup.=0.14MPa, 1.4bar)	
Explosion Protection Type	<input type="checkbox"/> Non-Explosion	<input type="checkbox"/> KCs : Ex ia IIB T6 Gb	Air Consumption	< 2.5 LPM (Sup.=0.14MPa, 1.4bar)	
Operating Temp.	Standard	<input type="checkbox"/> -20°C ~ 70°C (-4 ~ 158°F)	Ingress Protection	IP66	
Ambient temperature of explosion proof	High	<input type="checkbox"/> -20°C ~ 120°C (-4 ~ 248°F)	Weight	2.7kg (6.1lb)	
	Low	<input type="checkbox"/> -40°C ~ 70°C (-40 ~ 158°F)	Lever type	<input type="checkbox"/> 10~40mm	<input type="checkbox"/> 30~70mm
				<input type="checkbox"/> 60~100mm	<input type="checkbox"/> 100~150mm
			Housing Material	Aluminum	



No.	Part name	Material	Q'ty	Remark
1	Base body	ALDC12	1	
2	Base cover	ALDC12	1	
3	IA connector	ALDC12	1	
4	Feedback lever	STS304	1	
5	Pressure gauge	STS304	1	

SURFACE TEXTURE	PRODUCT NAME	E/P Positioner		PROJECT NAME	
FINISH TREATMENT	MODEL	YT-1000L		rotork Rotork YTC Limited	
MATERIAL	PROJECTION	3rd	SCALE	GMPG-SI, KOREA	
OTHERWISE NOTE	GENERAL TOLERANCE	QUANTITY	1	TITLE	
		SHEET No.	1 / 1	IA connector type + Linear Positioner drawing	
				DRAWING NO.	REV.
				YT-1000L-02	3