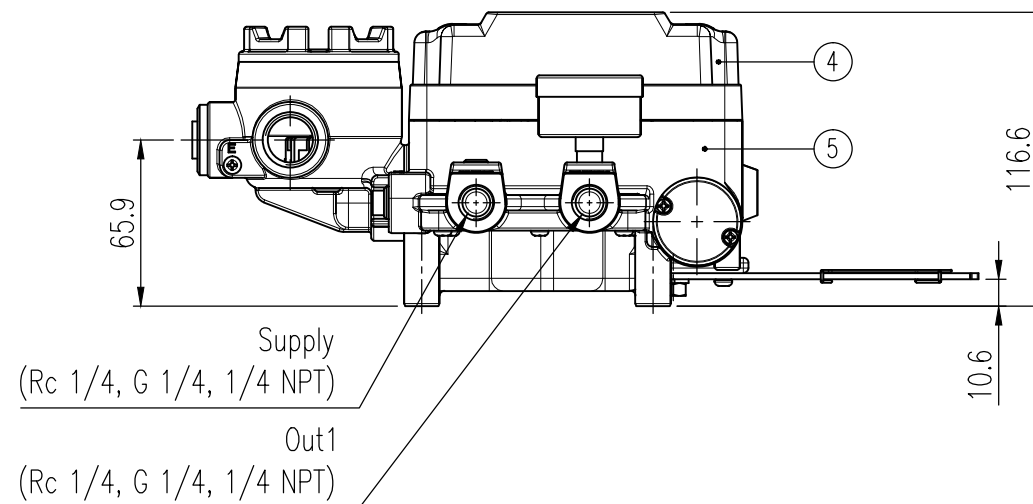
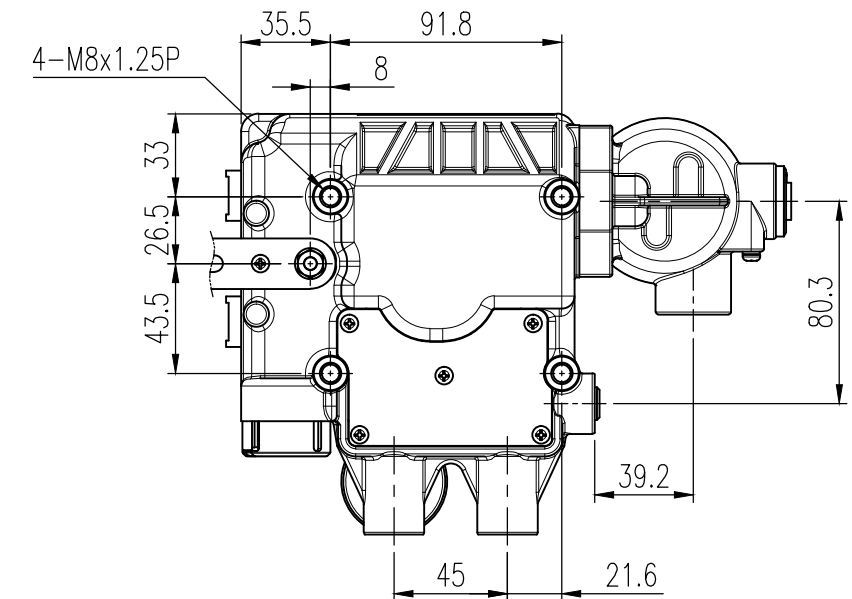
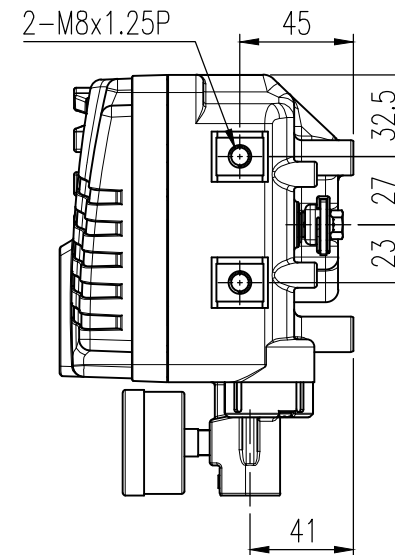
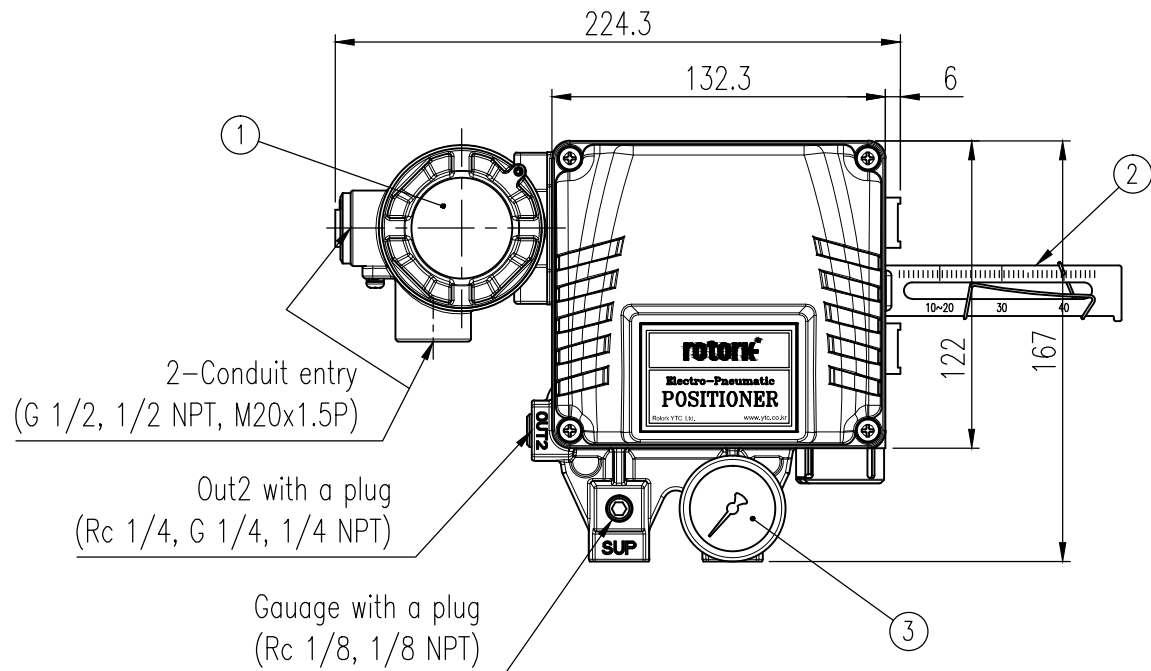


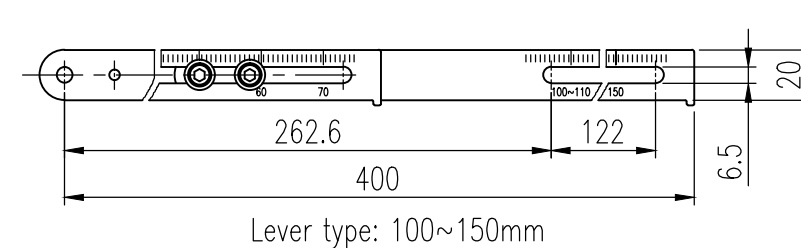
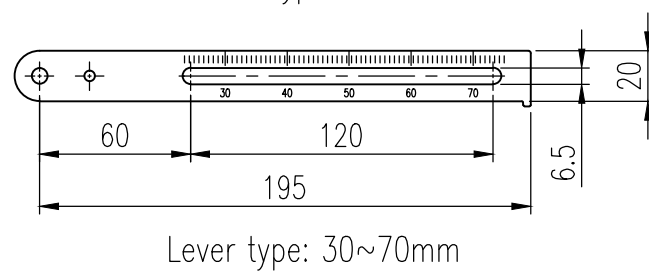
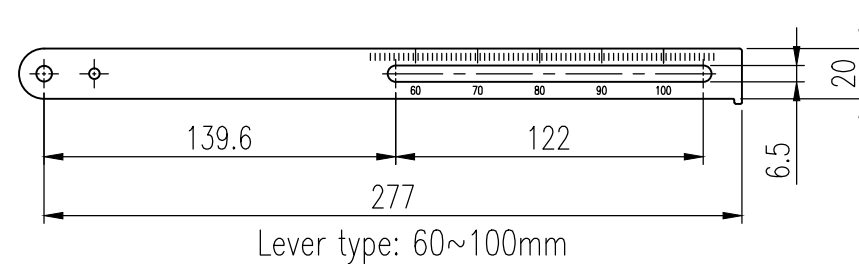
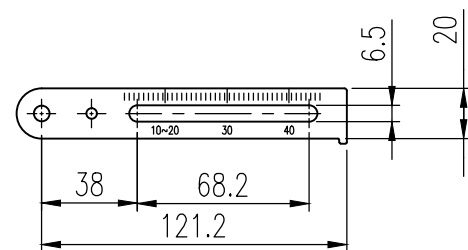
REV.NO.	REVISION DESCRIPTION	DRAWN / DATE	REVIEWED / DATE	APPROVED / DATE
△1	First Issued	LHG/20030811	LGS/20030811	LYH/20030811
	Omission in the middle			
△2	Company name changed	KSH/20190507	KCH/20190507	KTJ/20190507
△3	Drawing arrangement	KCH/20191016	JCS/20191016	KTJ/20191016



Specification

Applicable Fluid	Air	
Acting Type	<input type="checkbox"/> Single	<input type="checkbox"/> Double
Input Signal	4 ~ 20mA DC	
Impedance	250 ± 15Ω	
Supply Pressure	0.14 ~ 0.7MPa (1.4 ~ 7bar)	
Stroke	10 ~ 150mm	
Conduit entry, Air Connection, Gauge Connection	<input type="checkbox"/> G 1/2, Rc 1/4, Rc 1/8 <input type="checkbox"/> G 1/2, 1/4 NPT, 1/8 NPT <input type="checkbox"/> G 1/2, 1/4 NPT, 1/8 NPT <input type="checkbox"/> M20x1.5P, 1/4 NPT, 1/8 NPT <input type="checkbox"/> 1/2 NPT, 1/4 NPT, 1/8 NPT	
Explosion Proof Type	<input type="checkbox"/> ATEX, IECEx, TS, KCs, INMETRO : Ex db mb IIB T5 <input type="checkbox"/> FM : CL I, Div 1, Grps C,D T5 / CL II,III, Div 1, Grps E,F,G T5 <input type="checkbox"/> CSA : Class I, Zone 1, Ex d m IIB T5 <input type="checkbox"/> KCs, NEPSI : Ex d IIC T5 <input type="checkbox"/> TIIS : Ex dmb IIB T5 <input type="checkbox"/> TRCU : 1Ex d mb IIB T5 Gb X	

Operating Temp.	Standard	<input type="checkbox"/> -20°C ~ 70°C (-4°F ~ 158°F)
	High	<input type="checkbox"/> -20°C ~ 120°C (-4°F ~ 248°F)
	Low	<input type="checkbox"/> -40°C ~ 70°C (-40°F ~ 158°F)
Ambient temperature of explosion proof	See certificates or product manual	
Linearity	Single	±1.0% F.S.
	Double	±2.0% F.S.
Hysteresis	±1.0% F.S.	
Sensitivity	Single	±0.2% F.S.
	Double	±0.5% F.S.
Repeatability	±0.5% F.S.	
Flow Capacity	> 80 LPM (Sup.=0.14MPa, 1.4bar)	
Air Consumption	< 2.5 LPM (Sup.=0.14MPa, 1.4bar)	
Ingress Protection	IP66, Type 4X(FM)	
Weight	2.7kg (6.1 lb)	
Lever type	<input type="checkbox"/> 10~40mm	<input type="checkbox"/> 30~70mm
	<input type="checkbox"/> 60~100mm	<input type="checkbox"/> 100~150mm
Housing Material	Aluminum	



No.	Part name	Material	Q'ty	Remark
1	Junction box	ALDC12	1	
2	Feedback lever	ALDC12	1	
3	Pressure gauge	ALDC12	1	
4	Base cover	STS304	1	
5	Base body	STS304	1	

SURFACE TEXTURE	PRODUCT NAME	
FINISH TREATMENT	E/P Positioner	
MATERIAL	MODEL	SCALE
OTHERWISE NOTE	PROJECTION	1 / 3
GENERAL TOLERANCE	QUANTITY	SHEET No.
	1	1 / 1

PROJECT NAME		rotork Rotork YTC Limited GMP0-SI, KOREA
TITLE		
Junction box type + Linear Positioner drawing		DRAWING NO. YT-1000L-01
REV.		
11		