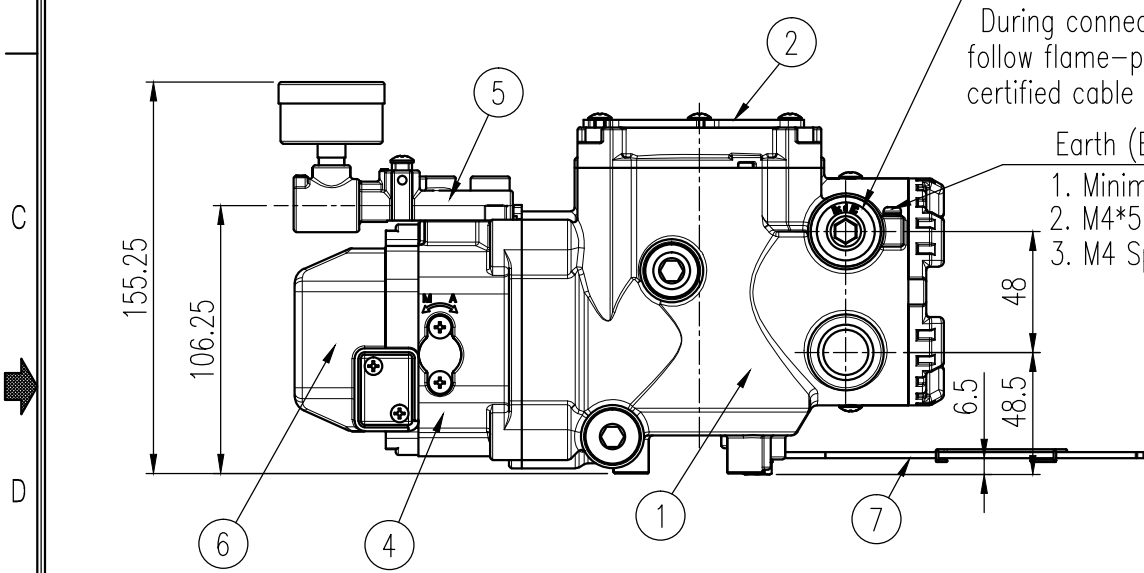
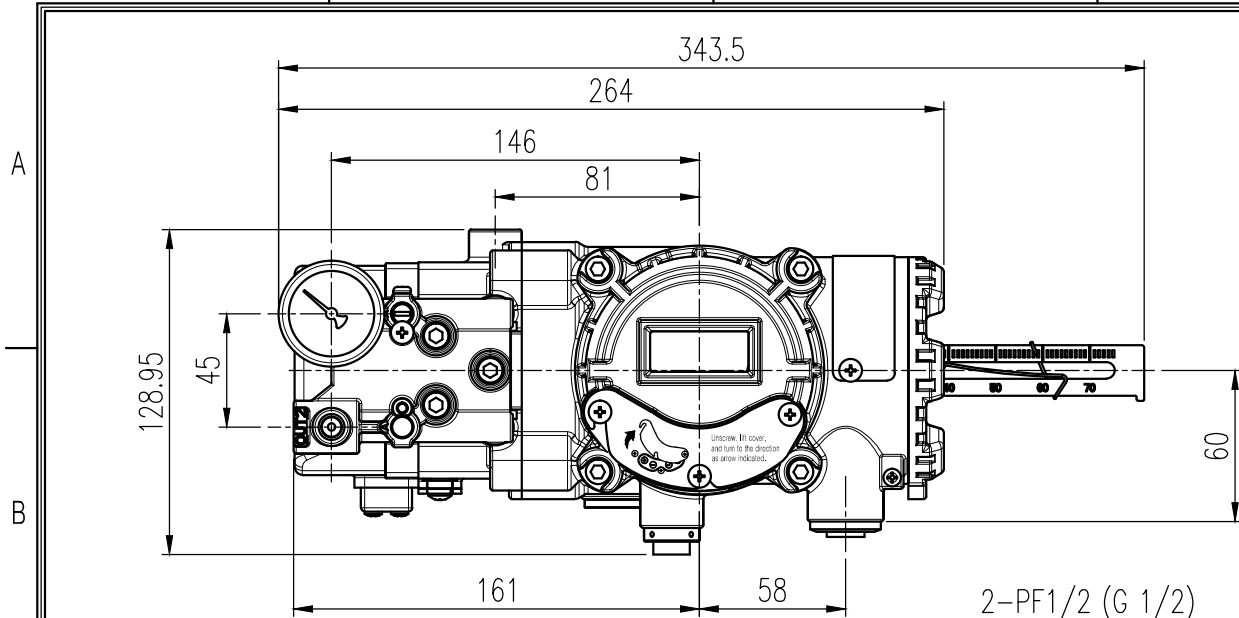


1 2 3 4 5 6 7 8

| REV.NO. | REVISION DESCRIPTION | DRAWN / DATE | REVIEWED / DATE | APPROVED / DATE |
|---------|----------------------|--------------|-----------------|-----------------|
| △ | Issue for approval | KCH/141029 | JCS/141029 | LYH/141029 |
| △ | | | | |

SPECIFICATIONS

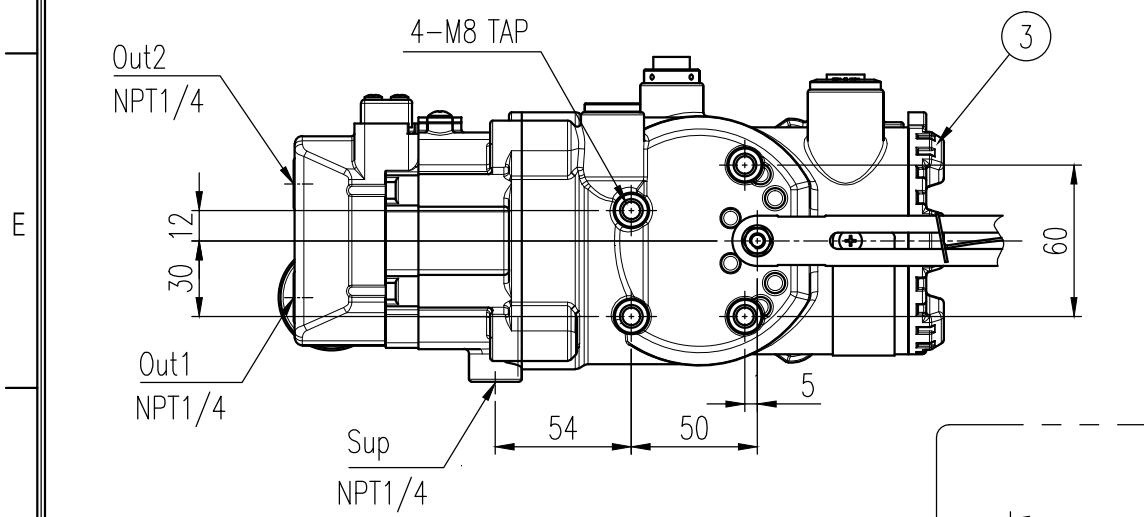
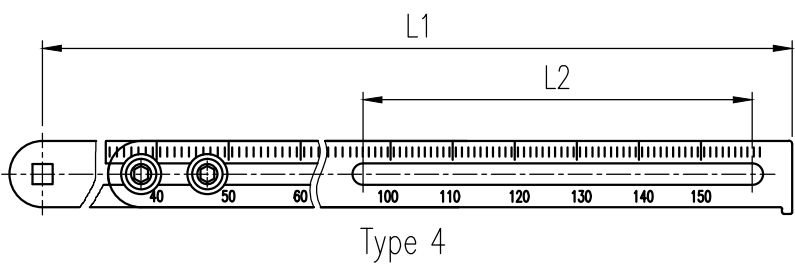
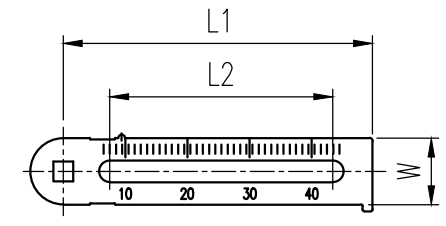
| | | |
|-------------------------|---------------------------------------|-------------------------------------|
| Acting Type | <input type="checkbox"/> Single | <input type="checkbox"/> Double |
| Input Signal | 4 ~ 20mA DC | |
| Impedance | Max 450 Ohm/20mA DC | |
| Supply Pressure | 0.14 ~ 0.7MPa (1.4 ~ 7bar) | |
| Explosion Proof | Ex d IIC T6/T5 | |
| Stroke | 10 ~ 150mm | |
| Repeatability | ±0.3% F.S. | |
| Explosion Ambient Temp. | T6 | -20 ~ 70°C (-4 ~ 158°F) |
| | T5 | -20 ~ 85°C (-4 ~ 185°F) |
| Hysteresis | ±0.5% F.S. | |
| Sensitivity | ±0.2% F.S. | |
| Linearity | ±0.5% F.S. | |
| Air Connection | NPT 1/4 | |
| Gauge Connection | NPT 1/8 | |
| Conduit | PF 1/2 (G 1/2) | |
| Air consumption | Below 2LPM (sup=0.14MPa) | |
| Flow Capacity | 70LPM (sup=0.14MPa) | |
| Protection | IP66 | |
| Main Board | MPU | 16 bit Micro Controller |
| | A/D Converter | 12 bit |
| | D/A Converter | 12 bit |
| LCD | Operation Temp. | -30 ~ 85°C (-22 ~ 185°F) |
| Output Characteristics | <input type="checkbox"/> Linear | <input type="checkbox"/> EQ% |
| | <input type="checkbox"/> User defined | <input type="checkbox"/> Quick Open |
| Material | Stainless Steel 316 | |
| Weight | 7.0kg (15.4 lb) | |
| Lever Type | <input type="checkbox"/> 10~ 40mm | <input type="checkbox"/> 20~70mm |
| | <input type="checkbox"/> 50~100mm | <input type="checkbox"/> 100~150mm |
| Internal free volume | 1,100cm | |



2-PF1/2 (G 1/2)
 During connecting cable or conduits, it is necessary to follow flame-proof certified procedure or flame-proof certified cable gland or flexible coupling.
 Earth (External, Internal)
 1. Minimum Size Wire 1mm or 18AWG.
 2. M4*5 0.7P Round Head Screw
 3. M4 Spring washer

UNIT : mm

| Lever Type | Stroke | L1 | L2 | W |
|------------|---------|-------|-------|------|
| 1 | 10~40 | 93.0 | 67.0 | 20.0 |
| 2 | 20~70 | 153.5 | 106.5 | |
| 3 | 50~100 | 214.0 | 117.0 | |
| 4 | 100~150 | 307.3 | 117.0 | |



| 7 | FEEDBACK LEVER | STS316 | 1 | |
|-----|----------------|----------|------|--------|
| 6 | COVER PILOT | SCS14 | 1 | |
| 5 | BLOCK | SCS14 | 1 | |
| 4 | MANIFOLD | SCS14 | 1 | |
| 3 | COVER TERMINAL | SCS14 | 1 | |
| 2 | COVER BASE | SCS14 | 1 | |
| 1 | BODY BASE | SCS14 | 1 | |
| NO. | PART NAME | MATERIAL | Q'TY | REMARK |

| | | | | |
|------------------|-------------------|-------------------------|-------|---|
| SURFACE TEXTURE | PRODUCT NAME | SMART POSITIONER | | YOUNG TECH CO., LTD. SEOUL, KOREA |
| FINISH TREATMENT | YT-3400L | | | |
| MATERIAL | PROJECTION | 3rd | 1 / 3 | TITLE |
| OTHERWISE NOTE | GENERAL TOLERANCE | QUANTITY | 1 / 1 | SMART LINEAR POSITIONER ASS'Y DWG (Explosion Proof) |
| | | | | DRAWING NO. |
| | | | | YT-3450L |
| | | | | REV. |
| | | | | 0 |

1 2 3 4 5 6 7 8 YTC-A3