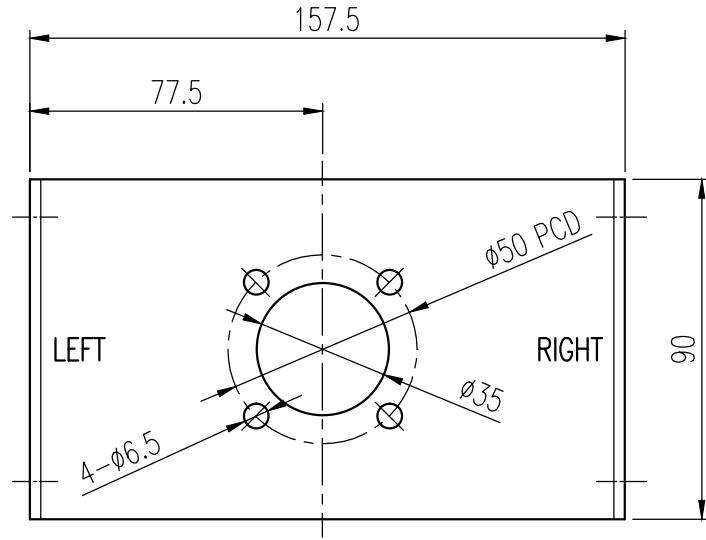
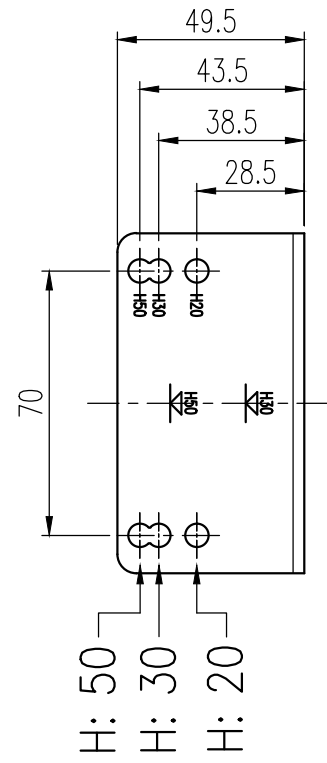
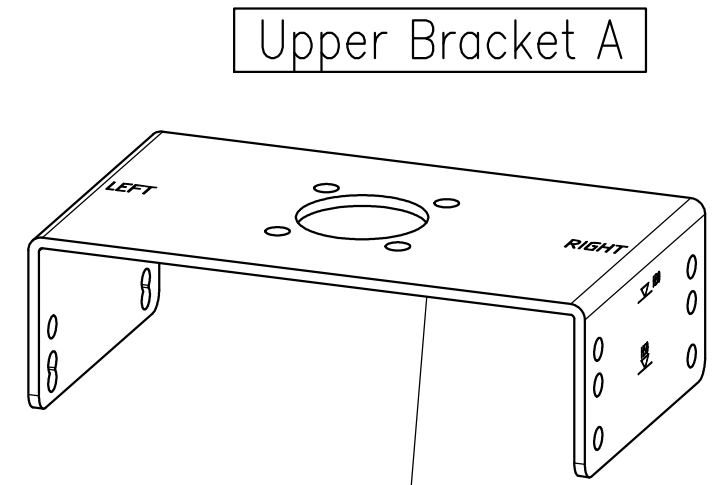
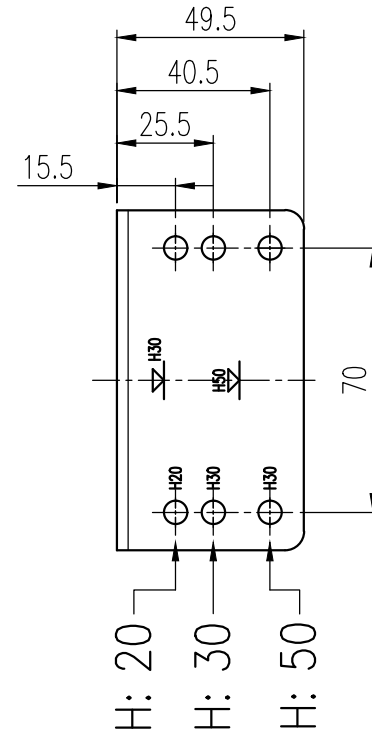


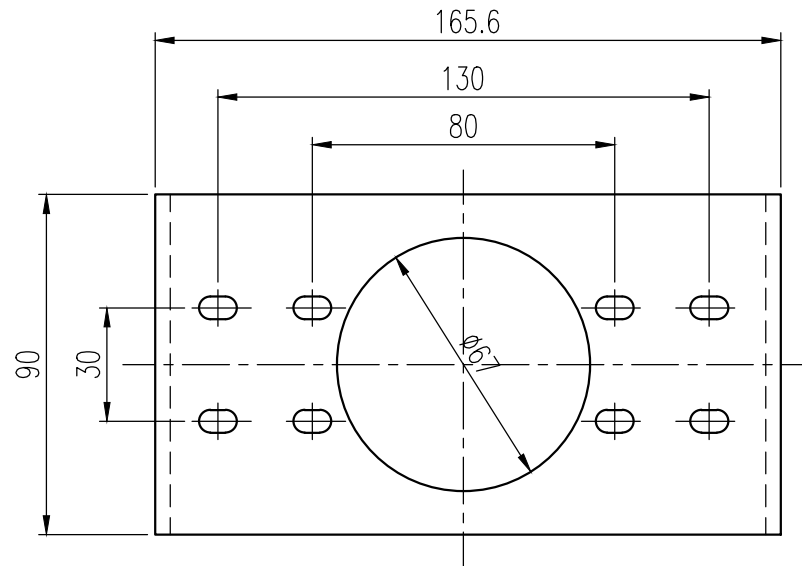
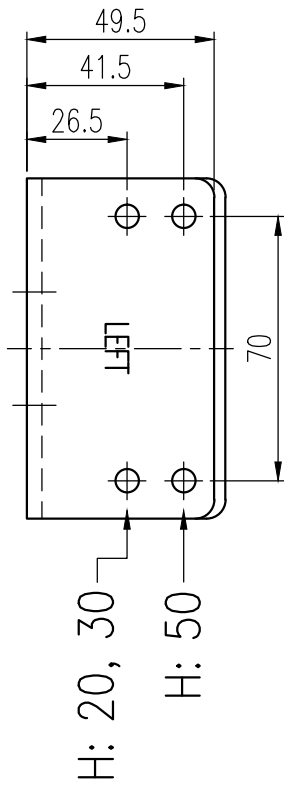
REV.NO.	REVISION DESCRIPTION	DRAWN / DATE	REVIEWED / DATE	APPROVED / DATE
△1	ISSUE FOR APPROVAL	CHK/20111109	CSJ/20111109	YHL/20111109
△2	ISSUE FOR APPROVAL	DHK/20130802		
△3	Added marking about direction	KSH/20180626	JCS/20180626	KTJ/20180626



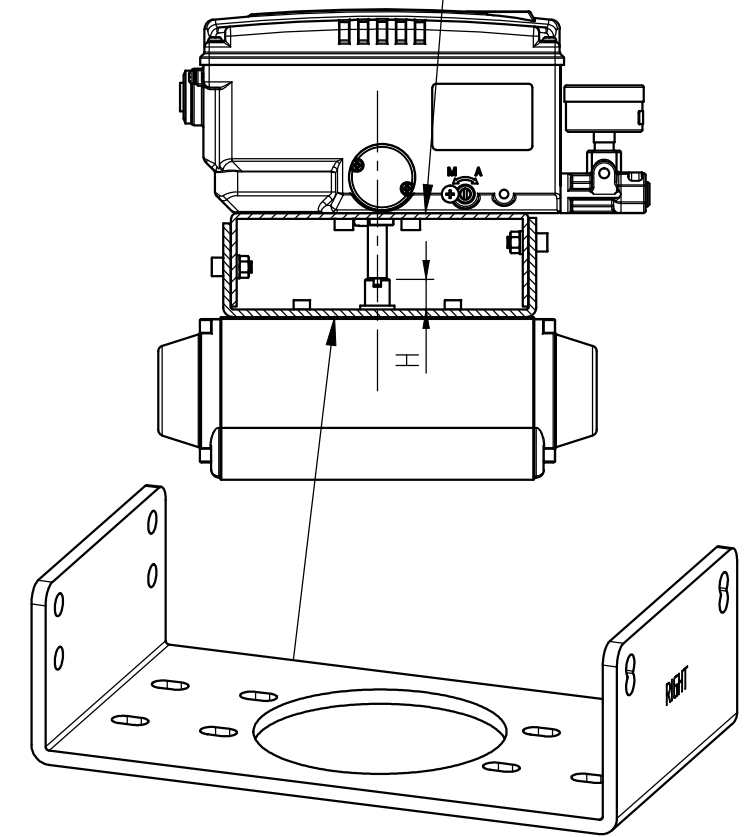
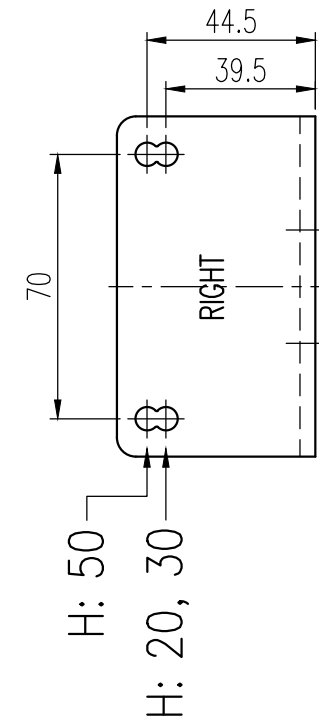
Upper Bracket A



Upper Bracket A



Lower bracket B



Lower bracket B

SURFACE TEXTURE		PRODUCT NAME SMART POSITIONER		PROJECT NAME -	
FINISH TREATMENT		MODEL YT-3300		YTC YOUNG TECH CO., LTD. GIMPO-SI., KOREA	
MATERIAL		PROJECTION 3rd	SCALE 1 / 2	TITLE BRACKET NAMUR (YT-3300, 3350)	
OTHERWISE NOTE		GENERAL TOLERANCE	QUANTITY 1	DRAWING NO. -	REV. 2
			SHEET No. 1 / 1		

2016.07.12